

NEXCLAD 14

P R O T O T Y P I C A L D E T A I L S



LUDOWICI®

PROTOTYPICAL DETAILS
KEY

P A G E O N E O F T W O



LUDOWICI®

PROTOTYPICAL DETAILS

KEY

PAGE TWO OF TWO



LUDOWICI NEXCLAD
SHINGLE 14 TERRACOTTA
CLADDING TILE

STAINLESS STEEL
SIDELOCK CLIP W/ (1)
STAINLESS STEEL
FASTENER (TYP.)

3/16" LUDOWICI
DRAINAGE PLANE
MATERIAL. NOTE:
CORRUGATION OF THE
DRAINAGE MAT TO FACE
TOWARD THE BUILDING,
THE FLEECE LINER
FACES THE OUTSIDE.

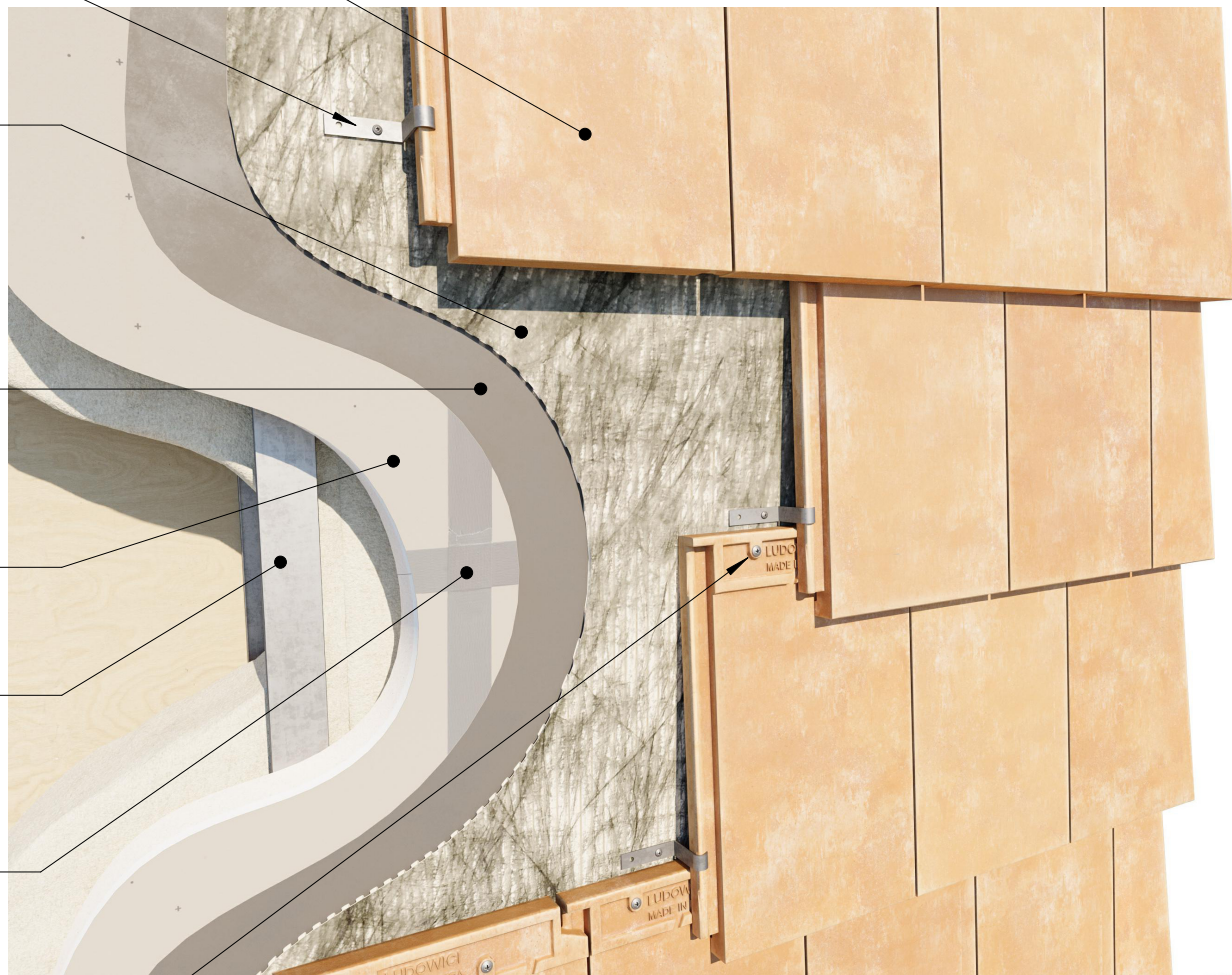
AIR AND MOISTURE
BARRIER (NOT BY
LUDOWICI)

CONTINUOUS RIGID
STRUCTURAL
INSULATION BOARD
(NOT BY LUDOWICI)

EXTERIOR WALL
FRAMING (NOT BY
LUDOWICI)

CONT' RIGID
INSULATION BOARD
TAPE AT JOINTS - IF
SPECIFIED BY
MANUFACTURER
(NOT BY LUDOWICI)

(2) STAINLESS STEEL
FASTENERS PER TILE
(TYP.)




Trusted. Timeless. Terra Cotta.

4757 Tile Plant Road
New Lexington, Ohio 43764
Telephone: (800) 945-8453 Fax: (740) 342-0025
www.ludowici.com

SYSTEM: NeXclad Shingle 14

DETAIL #: 0.3rb

Description: SYSTEM COMPONENTS ISO - W/CONTINUOUS RIGID
STRUCTURAL INSULATION BOARD

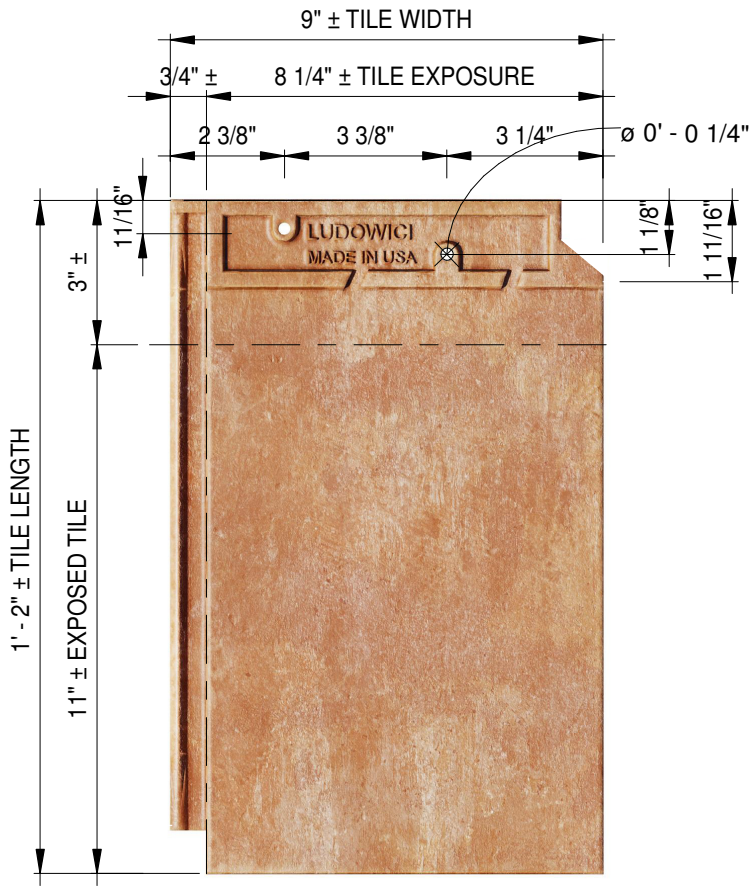
Building Construction: Continuous Rigid Structural Insulation Board

Drawing Date: 04.23.2025

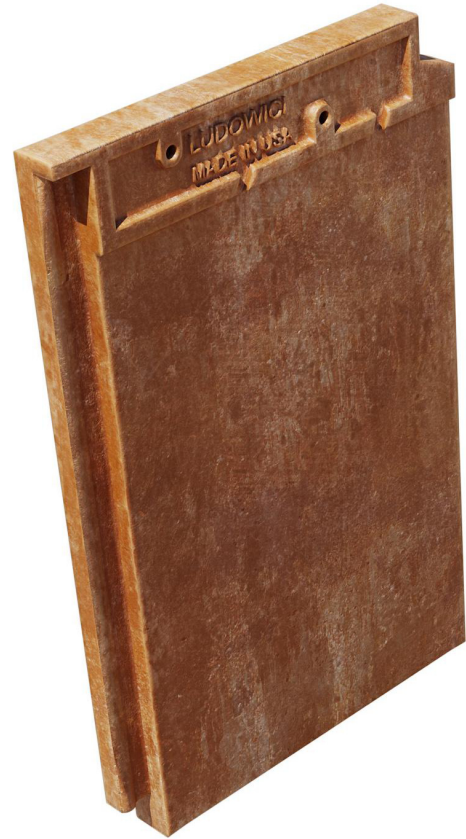
Scale: 3" = 1'-0"

Ludowici Reference #: NeXclad Shingle 14 0.3rb Designer

The information contained on this drawing is the property of Ludowici Roof Tile. Any use or reproduction in whole or in part without the express written permission of Ludowici Roof Tile is strictly prohibited. Ludowici Roof Tile, Inc. reserves the right to modify the configuration of item(s) shown without prior written notice.



FRONT



ISO



TOP



RIGHT

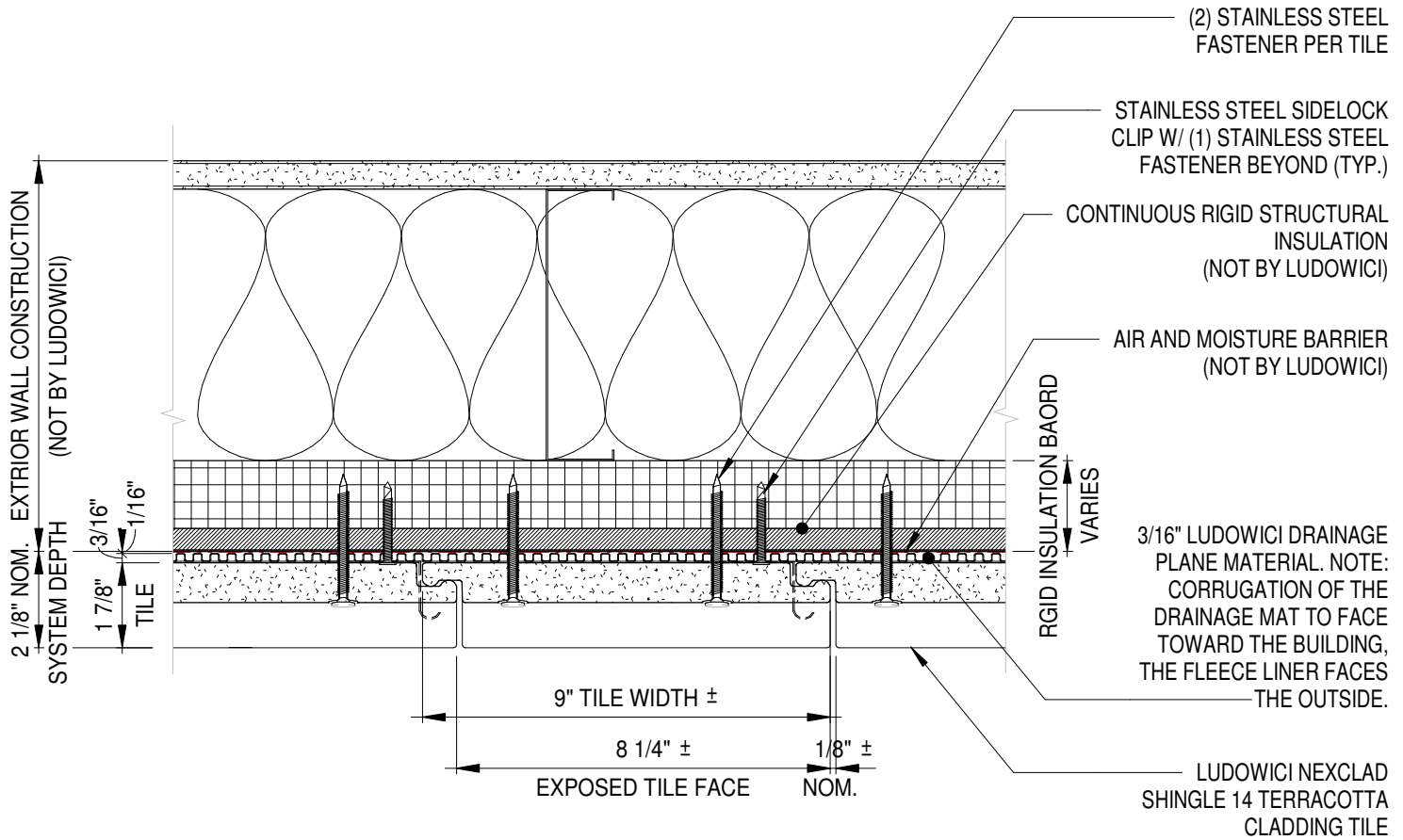
NOTE: CLAY TILE MANUFACTURING STANDARD C1167 ALLOWS FOR A +/-5% DIMENSIONAL DEVIATION FROM PUBLISHED STANDARDS


LUDOWICI®
Trusted. Timeless. Terra Cotta.

4757 Tile Plant Road
 New Lexington, Ohio 43764
 Telephone: (800) 945-8453 Fax: (740) 342-0025
 www.ludowici.com

SYSTEM:	NeXclad Shingle 14
DETAIL #:	0.4
Description: FIELD TILE DIMENSIONS	
Building Construction:	
Drawing Date:	04.23.2025
Scale:	3" = 1'-0"
Ludowici Reference #:	NeXclad Shingle 14 0.4

The information contained on this drawing is the property of Ludowici Roof Tile. Any use or reproduction in whole or in part without the express written permission of Ludowici Roof Tile is strictly prohibited. Ludowici Roof Tile, Inc. reserves the right to modify the configuration of item(s) shown without prior written notice.




LUDOWICI[®]
Trusted. Timeless. Terra Cotta.

4757 Tile Plant Road
 New Lexington, Ohio 43764
 Telephone: (800) 945-8453 Fax: (740) 342-0025
 www.ludowici.com

SYSTEM: NeXclad Shingle 14

DETAIL #: 1rb

Description: TYPICAL INSTALLATION PLAN /CONT' RIGID STRUCTURAL INSULATION BOARD

Building Construction: Continuous Rigid Structural Insulation Board

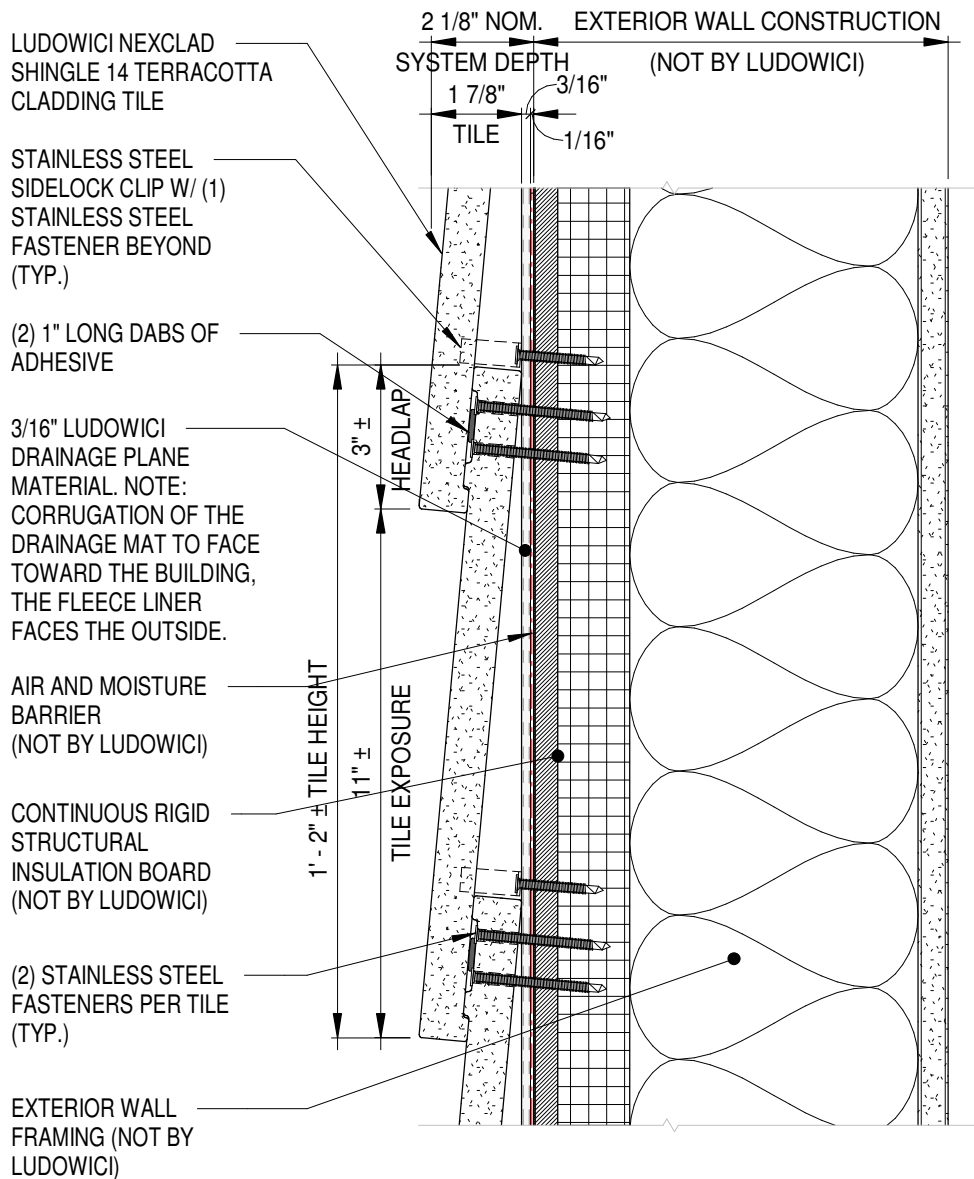
Drawing Date: 04.23.2025

Scale: 3" = 1'-0"

Ludowici Reference #: NeXclad Shingle 14 1rb Designer

The information contained on this drawing is the property of Ludowici Roof Tile. Any use or reproduction in whole or in part without the express written permission of Ludowici Roof Tile is strictly prohibited. Ludowici Roof Tile, Inc. reserves the right to modify the configuration of item(s) shown without prior written notice.

© Ludowici Roof Tile, Inc. All Rights Reserved




LUDOWICI[®]
Trusted. Timeless. Terra Cotta.

4757 Tile Plant Road
 New Lexington, Ohio 43764
 Telephone: (800) 945-8453 Fax: (740) 342-0025
 www.ludowici.com

SYSTEM: NeXclad Shingle 14

DETAIL #: 2rb

Description: TYPICAL INSTALLATION SECTION W/CONT' RIGID INSULATION BOARD

Building Construction: Continuous Rigid Structural Insulation Board

Drawing Date: 04.23.2025

Scale: 3" = 1'-0"

Ludowici Reference #: NeXclad Shingle 14 2rb Designer





Trusted. Timeless. Terra Cotta.

4757 Tile Plant Road
New Lexington, Ohio 43764
Telephone: (800) 945-8453 Fax: (740) 342-0025
www.ludowici.com

SYSTEM: NeXclad Shingle 14

DETAIL #: 3axo

Description: EXTERNAL CORNER AXO - TWO-PIECE TILE - AXONOMETRIC

Building Construction:

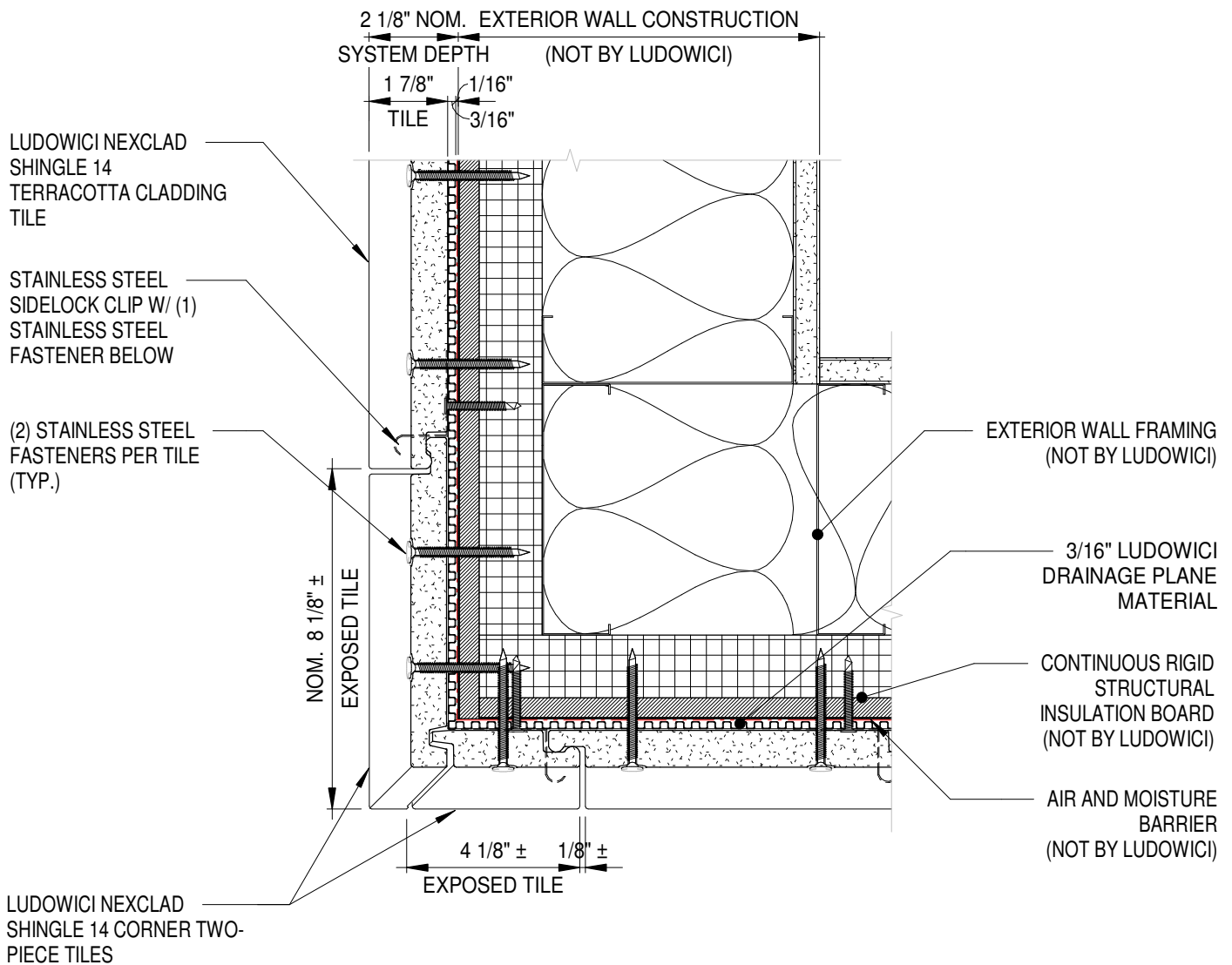
Drawing Date: 04.23.2025

Scale:

Ludowici Reference #: NeXclad Shingle 14 3axo Designer

The information contained on this drawing is the property of Ludowici Roof Tile. Any use or reproduction in whole or in part without the express written permission of Ludowici Roof Tile is strictly prohibited. Ludowici Roof Tile, Inc. reserves the right to modify the configuration of item(s) shown without prior written notice.

© Ludowici Roof Tile, Inc. All Rights Reserved




Trusted. Timeless. Terra Cotta.

4757 Tile Plant Road
New Lexington, Ohio 43764
Telephone: (800) 945-8453 Fax: (740) 342-0025
www.ludowici.com

SYSTEM: NeXclad Shingle 14

DETAIL #: 3rb

Description: EXTERNAL CORNER DETAIL - TWO-PIECE TILE W/RIGID INSULATION BOARD

Building Construction: Continuous Rigid Structural Insulation Board

Drawing Date: 04.23.2025

Scale: 3" = 1'-0"

Ludowici Reference #: NeXclad Shingle 14 3rb Designer

The information contained on this drawing is the property of Ludowici Roof Tile. Any use or reproduction in whole or in part without the express written permission of Ludowici Roof Tile is strictly prohibited. Ludowici Roof Tile, Inc. reserves the right to modify the configuration of item(s) shown without prior written notice.

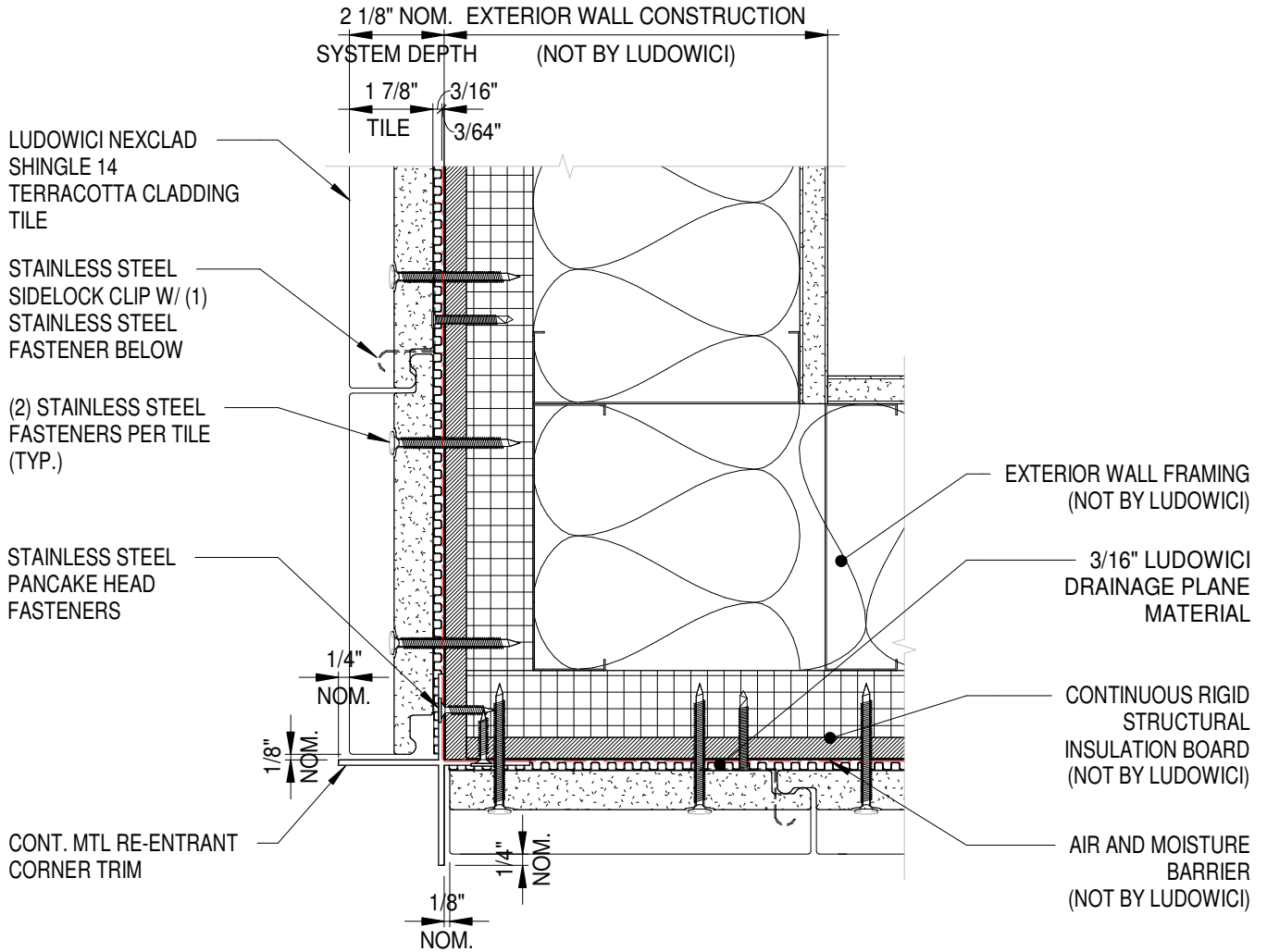



LUDOWICI[®]
Trusted. Timeless. Terra Cotta.

4757 Tile Plant Road
New Lexington, Ohio 43764
Telephone: (800) 945-8453 Fax: (740) 342-0025
www.ludowici.com

SYSTEM:	NeXclad Shingle 14
DETAIL #:	4axo
Description: EXTERNAL CORNER PLAN DETAIL - RE-ENTRANT AXONOMETRIC	
Building Construction:	Stud Wall Framing
Drawing Date:	04.23.2025
Scale:	
Ludowici Reference #:	NeXclad Shingle 14 4axo Designer

The information contained on this drawing is the property of Ludowici Roof Tile. Any use or reproduction in whole or in part without the express written permission of Ludowici Roof Tile is strictly prohibited. Ludowici Roof Tile, Inc. reserves the right to modify the configuration of item(s) shown without prior written notice.



4757 Tile Plant Road
New Lexington, Ohio 43764
Telephone: (800) 945-8453 Fax: (740) 342-0025
www.ludowici.com

SYSTEM:	NeXclad Shingle 14
DETAIL #:	4rb
Description:	EXTERNAL CORNER PLAN DETAIL - RE-ENTRANT W/ CONT' RIGID STRUCTURAL INSULATION BOARD
Building Construction:	Continuous Rigid Structural Insulation Board
Drawing Date:	04.23.2025
Scale:	3" = 1'-0"
Ludowici Reference #:	NeXclad Shingle 14 4rb Designer

The information contained on this drawing is the property of Ludowici Roof Tile. Any use or reproduction in whole or in part without the express written permission of Ludowici Roof Tile is strictly prohibited. Ludowici Roof Tile, Inc. reserves the right to modify the configuration of item(s) shown without prior written notice.




LUDOWICI[®]
Trusted. Timeless. Terra Cotta.

4757 Tile Plant Road
New Lexington, Ohio 43764
Telephone: (800) 945-8453 Fax: (740) 342-0025
www.ludowici.com

SYSTEM: NeXclad Shingle 14

DETAIL #: 5axo

Description: EXTERNAL CORNER PLAN DETAIL - GREATER ARROW MTL TRIM - AXO

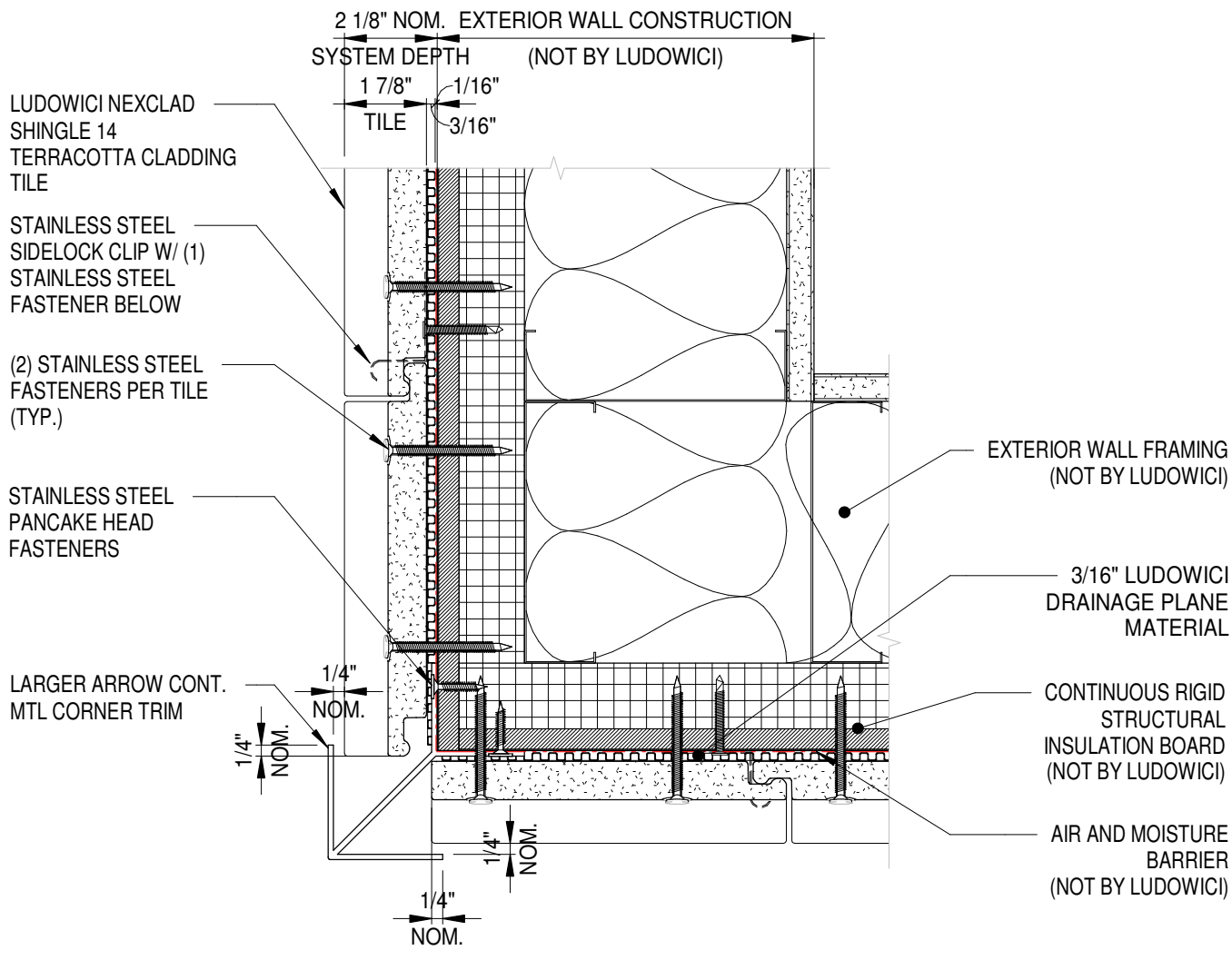
Building Construction: Stud Wall Framing

Drawing Date: 04.23.2025

Scale:

Ludowici Reference #: NeXclad Shingle 14 5axo Designer

The information contained on this drawing is the property of Ludowici Roof Tile. Any use or reproduction in whole or in part without the express written permission of Ludowici Roof Tile is strictly prohibited. Ludowici Roof Tile, Inc. reserves the right to modify the configuration of item(s) shown without prior written notice.




LUDOWICI[®]
Trusted. Timeless. Terra Cotta.

4757 Tile Plant Road
New Lexington, Ohio 43764
Telephone: (800) 945-8453 Fax: (740) 342-0025
www.ludowici.com

SYSTEM:	NeXclad Shingle 14
DETAIL #:	5rb
Description: EXTERNAL CORNER PLAN DETAIL - GREATER ARROW TRIM W/CONT' RIGID STRUCTURAL INSULATION BOARD	
Building Construction:	Continuous Rigid Structural Insulation Board
Drawing Date:	04.23.2025
Scale:	3" = 1'-0"
Ludowici Reference #:	NeXclad Shingle 14 5rb Designer

The information contained on this drawing is the property of Ludowici Roof Tile. Any use or reproduction in whole or in part without the express written permission of Ludowici Roof Tile is strictly prohibited. Ludowici Roof Tile, Inc. reserves the right to modify the configuration of item(s) shown without prior written notice.

© Ludowici Roof Tile, Inc. All Rights Reserved




Trusted. Timeless. Terra Cotta.

4757 Tile Plant Road
New Lexington, Ohio 43764
Telephone: (800) 945-8453 Fax: (740) 342-0025
www.ludowici.com

SYSTEM: NeXclad Shingle 14

DETAIL #: 7axo

Description: EXTERNAL CORNER PLAN DETAIL - KNIFE MTL CORNER TRIM - AXO

Building Construction: Stud Wall Framing

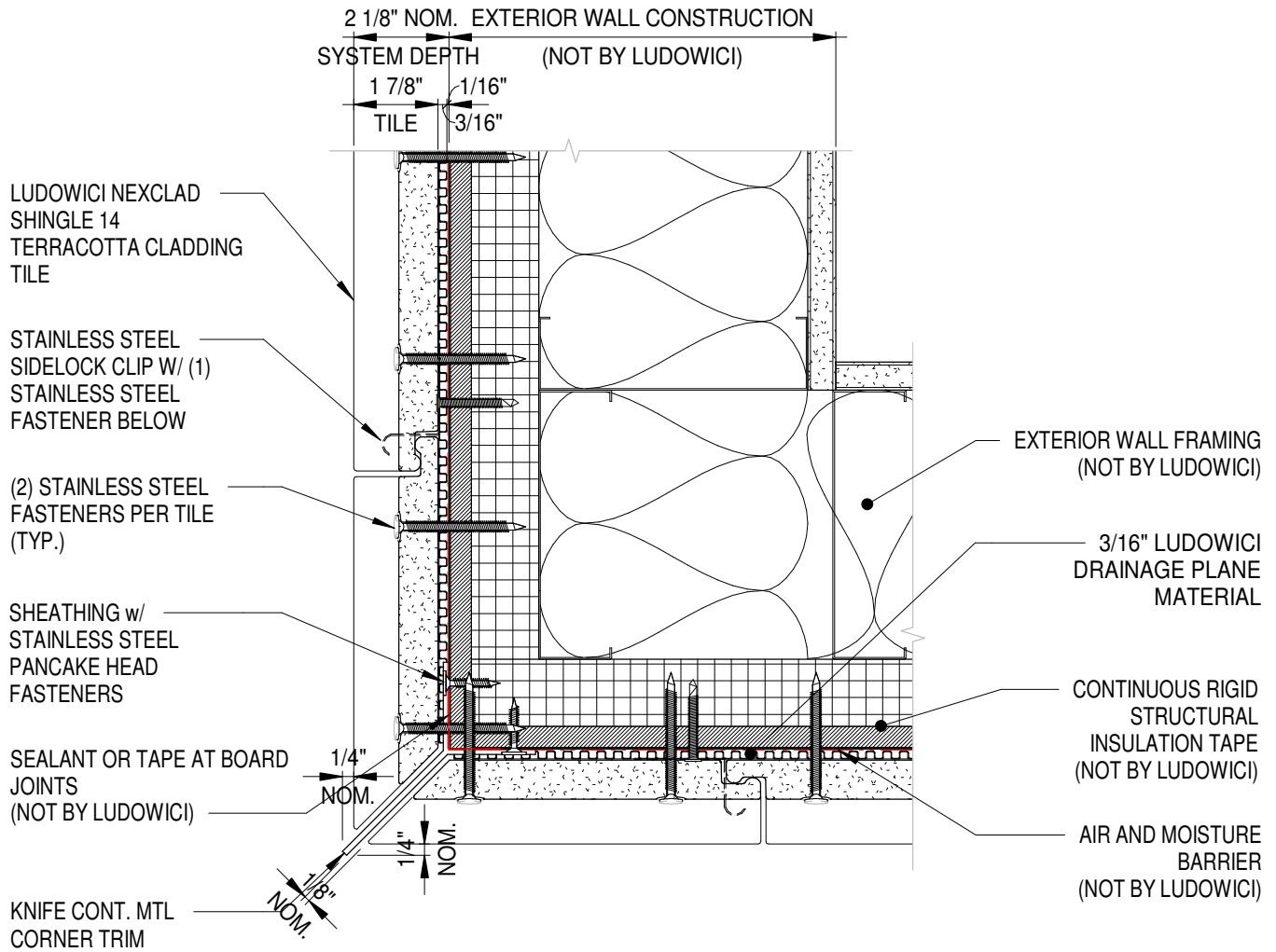
Drawing Date: 04.23.2025

Scale:

Ludowici Reference #: NeXclad Shingle 14 7axo Designer

The information contained on this drawing is the property of Ludowici Roof Tile. Any use or reproduction in whole or in part without the express written permission of Ludowici Roof Tile is strictly prohibited. Ludowici Roof Tile, Inc. reserves the right to modify the configuration of item(s) shown without prior written notice.

© Ludowici Roof Tile, Inc. All Rights Reserved



Trusted. Timeless. Terra Cotta.

4757 Tile Plant Road
New Lexington, Ohio 43764
Telephone: (800) 945-8453 Fax: (740) 342-0025
www.ludowici.com

SYSTEM:	NeXclad Shingle 14
DETAIL #:	7rb
Description:	EXTERNAL CORNER PLAN DETAIL - KNIFE MTL TRIM W/CONTINUOUS RIGID STRUCTURAL INSULATION BOARD
Building Construction:	Continuous Rigid Structural Insulation Board
Drawing Date:	04.23.2025
Scale:	3" = 1'-0"
Ludowici Reference #:	NeXclad Shingle 14 7rb Designer

The information contained on this drawing is the property of Ludowici Roof Tile. Any use or reproduction in whole or in part without the express written permission of Ludowici Roof Tile is strictly prohibited. Ludowici Roof Tile, Inc. reserves the right to modify the configuration of item(s) shown without prior written notice.

© Ludowici Roof Tile, Inc. All Rights Reserved





Trusted. Timeless. Terra Cotta.

4757 Tile Plant Road
New Lexington, Ohio 43764
Telephone: (800) 945-8453 Fax: (740) 342-0025
www.ludowici.com

SYSTEM: NeXclad Shingle 14

DETAIL #: 9axo

Description: EXTERNAL CORNER - FLUSH SHIPLAP CORNER TILE - AXO

Building Construction: Stud Wall Framing

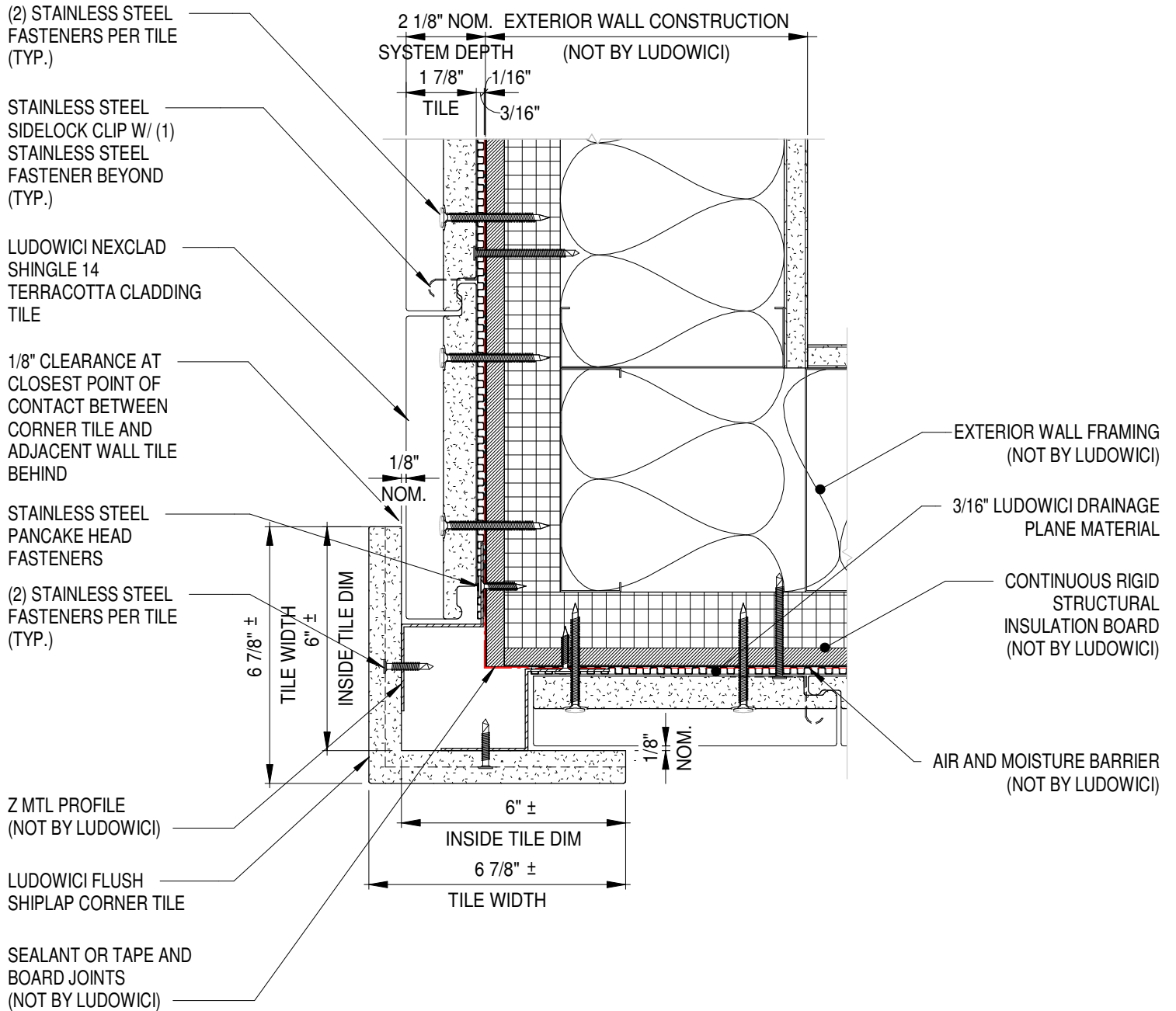
Drawing Date: 04.23.2025

Scale:

Ludowici Reference #: NeXclad Shingle 14 9axo Designer

The information contained on this drawing is the property of Ludowici Roof Tile. Any use or reproduction in whole or in part without the express written permission of Ludowici Roof Tile is strictly prohibited. Ludowici Roof Tile, Inc. reserves the right to modify the configuration of item(s) shown without prior written notice.

© Ludowici Roof Tile, Inc. All Rights Reserved



4757 Tile Plant Road
 New Lexington, Ohio 43764
 Telephone: (800) 945-8453 Fax: (740) 342-0025
 www.ludowici.com

SYSTEM:	NeXclad Shingle 14
DETAIL #:	9rb
Description:	EXTERNAL CORNER - FLUSH SHIPLAP CORNER TILE W/CONTINUOUS RIGID STRUCTURAL INSULATION BOARD
Building Construction:	Continuous Rigid Structural Insulation Board
Drawing Date:	04.23.2025
Scale:	3" = 1'-0"
Ludowici Reference #:	NeXclad Shingle 14 9rb Designer

The information contained on this drawing is the property of Ludowici Roof Tile. Any use or reproduction in whole or in part without the express written permission of Ludowici Roof Tile is strictly prohibited. Ludowici Roof Tile, Inc. reserves the right to modify the configuration of item(s) shown without prior written notice.

© Ludowici Roof Tile, Inc. All Rights Reserved




LUDOWICI[®]

Trusted. Timeless. Terra Cotta.

4757 Tile Plant Road
New Lexington, Ohio 43764
Telephone: (800) 945-8453 Fax: (740) 342-0025
www.ludowici.com

SYSTEM: NeXclad Shingle 14

DETAIL #: 10axo

Description: EXTERNAL CORNER - 'V' CORNER TILE - AXO

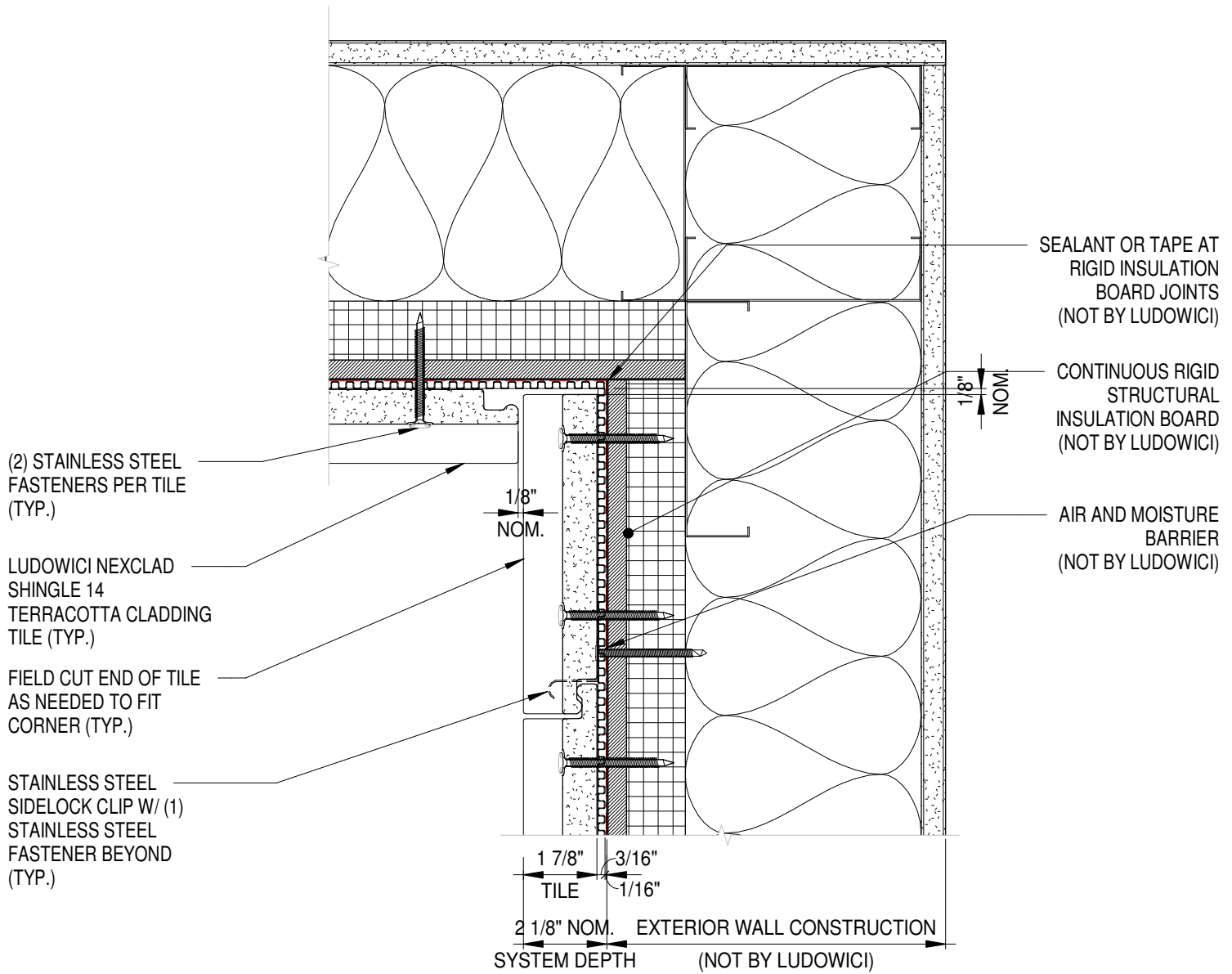
Building Construction: Stud Wall Framing

Drawing Date: 04.23.2025

Scale:

Ludowici Reference #: NeXclad Shingle 14 10axo Designer

The information contained on this drawing is the property of Ludowici Roof Tile. Any use or reproduction in whole or in part without the express written permission of Ludowici Roof Tile is strictly prohibited. Ludowici Roof Tile, Inc. reserves the right to modify the configuration of item(s) shown without prior written notice.



LUDOWICI[®]

Trusted. Timeless. Terra Cotta.

4757 Tile Plant Road
 New Lexington, Ohio 43764
 Telephone: (800) 945-8453 Fax: (740) 342-0025
 www.ludowici.com

SYSTEM: NeXclad Shingle 14

DETAIL #: 11rb

Description: INTERNAL CORNER PLAN DETAIL W/CONTINUOUS RIGID STRUCTURAL INSULATION BOARD

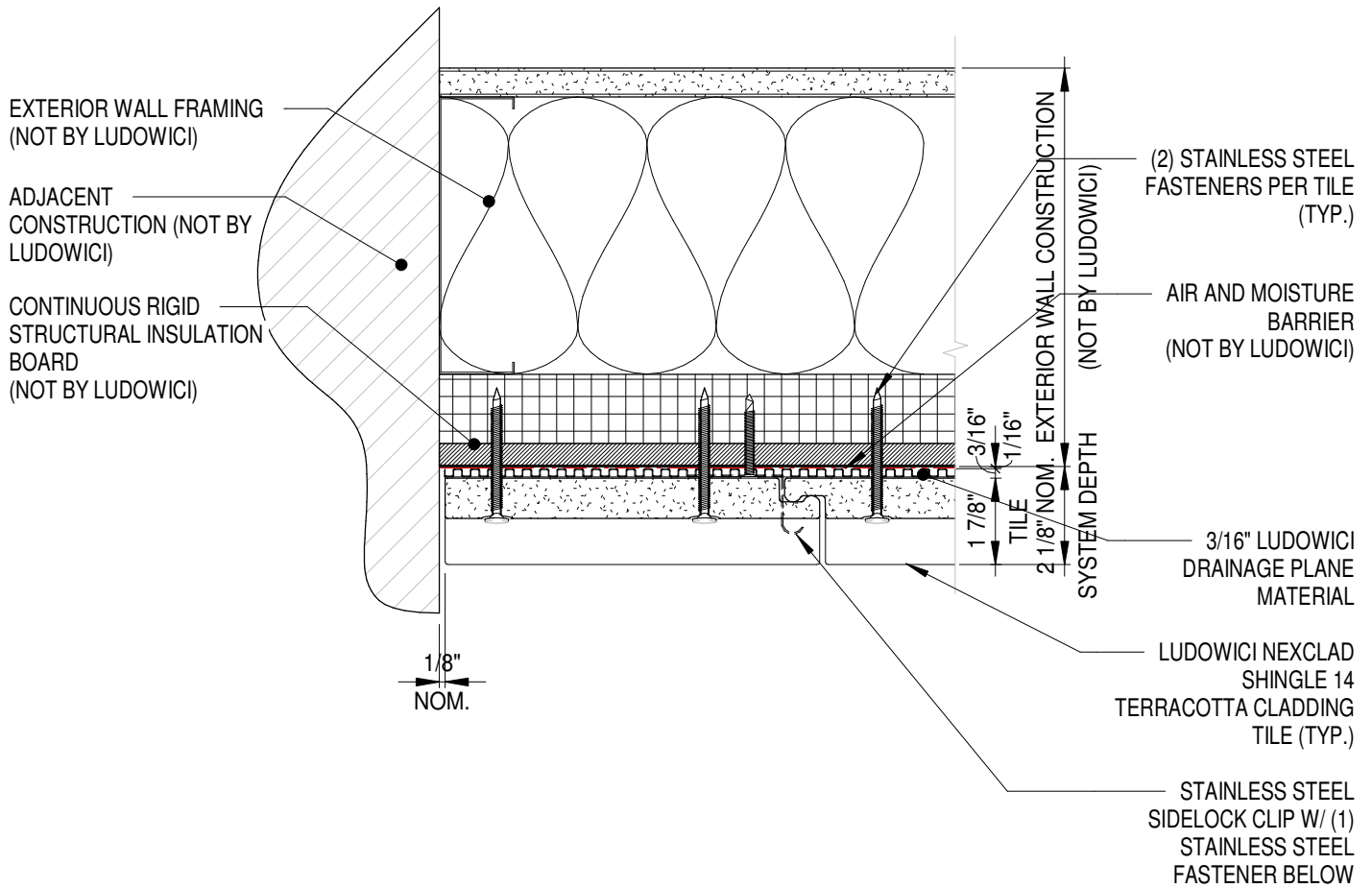
Building Construction: Continuous Rigid Structural Insulation Board

Drawing Date: 04.23.2025

Scale: 3" = 1'-0"

Ludowici Reference #: NeXclad Shingle 14 11rb Designer

The information contained on this drawing is the property of Ludowici Roof Tile. Any use or reproduction in whole or in part without the express written permission of Ludowici Roof Tile is strictly prohibited. Ludowici Roof Tile, Inc. reserves the right to modify the configuration of item(s) shown without prior written notice.



Trusted. Timeless. Terra Cotta.

4757 Tile Plant Road
 New Lexington, Ohio 43764
 Telephone: (800) 945-8453 Fax: (740) 342-0025
 www.ludowici.com

SYSTEM:	NeXclad Shingle 14
DETAIL #:	12rb
Description:	WALL TERMINATION PLAN DETAIL W/CONTINUOUS RIGID STRUCTURAL INSULATION BOARD
Building Construction:	Continuous Rigid Structural Insulation Board
Drawing Date:	04.23.2025
Scale:	3" = 1'-0"
Ludowici Reference #:	NeXclad Shingle 14 12rb .

The information contained on this drawing is the property of Ludowici Roof Tile. Any use or reproduction in whole or in part without the express written permission of Ludowici Roof Tile is strictly prohibited. Ludowici Roof Tile, Inc. reserves the right to modify the configuration of item(s) shown without prior written notice.

© Ludowici Roof Tile, Inc. All Rights Reserved

LUDOWICI NEXCLAD
SHINGLE 14 TERRACOTTA
CLADDING TILE

(2) STAINLESS STEEL
FASTENERS PER TILE
(TYP.)

(2) 1" LONG DABS OF
ADHESIVE

3/16" LUDOWICI
DRAINAGE PLANE
MATERIAL

AIR AND MOISTURE
BARRIER
(NOT BY LUDOWICI)

CONTINUOUS RIGID
STRUCTURAL INSULATION
BOARD
(NOT BY LUDOWICI)

STAINLESS STEEL
SIDELOCK CLIP W/ (1)
STAINLESS STEEL
FASTENER BEYOND (TYP.)

NOTE: EXPOSURE REQUIRED
FOR FIRST COURSE COULD
BE LESS THAN SHOWN
DEPENDING ON DESIRED
COURSING NEEDED ABOVE
IN WALL LAYOUT/DESIGN

NEXCLAD 14 STARTER TILE. IN
THE CASE OF FIELD CUT TILES OF
SHORTER LENGTHS, STARTER
TILES CAN BE CUT AND RE-
POSITIONED TO RETAIN FIELD TILE
ANGLE, (APPROX 5°). NON-
COMBUSTIBLE ALTERNATIVES,
SUCH AS METAL HATS OR Z
PURLINS, APPROPRIATELY SIZED
ARE ALSO ACCEPTABLE, AND
NECESSARY IN CASES WITH TILES
CUT TO AN EXPOSURE LESS THAN
APPROX 7"
(NOT BY LUDOWICI)

CONT. FLASHING WITH
POSITIVE SLOPE DRAINAGE
AWAY FROM INSIDE OF THE
BUILDING (NOT BY
LUDOWICI)

2 1/8" NOM. SYSTEM DEPTH EXTERIOR WALL CONSTRUCTION
(NOT BY LUDOWICI)

1 7/8" TILE 3/16" 1/16"

3" ± HEADLAP

11" ± TILE EXPOSURE

1/2" NOM.

EXTERIOR WALL FRAMING
(NOT BY LUDOWICI)

ADJACENT
CONSTRUCTION (NOT
BY LUDOWICI)


LUDOWICI®

Trusted. Timeless. Terra Cotta.

4757 Tile Plant Road

New Lexington, Ohio 43764

Telephone: (800) 945-8453 Fax: (740) 342-0025

www.ludowici.com

SYSTEM: NeXclad Shingle 14

DETAIL #: 13rb

Description: BASE OF WALL SECTION DETAIL W/CONTINUOUS RIGID
STRUCTURAL INSULATION BOARD

Building Construction: Continuous Rigid Structural Insulation Board

Drawing Date: 04.23.2025

Scale: 3" = 1'-0"

Ludowici Reference #: NeXclad Shingle 14 13rb Designer

The information contained on this drawing is the property of Ludowici Roof Tile. Any use or reproduction in whole or in part without the express written permission of Ludowici Roof Tile is strictly prohibited. Ludowici Roof Tile, Inc. reserves the right to modify the configuration of item(s) shown without prior written notice.

© Ludowici Roof Tile, Inc. All Rights Reserved

CONT. BACKER ROD AND SEALANT (NOT BY LUDOWICI)

SILL FLASHING (NOT BY LUDOWICI)
FLASHING SHOULD EXTEND DOWN A MINIMUM OF 3" BELOW TOP OF TILE TO CONCEAL FASTENERS

SELF-ADHERED MEMBRANE (NOT BY LUDOWICI)

SEALANT OR TAPE AT RIGID INSULATION BOARD (NOT BY LUDOWICI)

FLEXIBLE SELF-ADHERING FLASHING (NOT BY LUDOWICI)

(2) STAINLESS STEEL FASTENERS PER TILE (TYP.)

AIR AND MOISTURE BARRIER (NOT BY LUDOWICI)

3/16" LUDOWICI DRAINAGE PLANE MATERIAL (NOT BY LUDOWICI)

LUDOWICI NEXCLAD SHINGLE 14 TERRACOTTA CLADDING TILE

WINDOW UNIT (NOT BY LUDOWICI)

EXTERIOR WALL FRAMING (NOT BY LUDOWICI)

CONTINUOUS RIGID STRUCTURAL INSULATION BOARD (NOT BY LUDOWICI)

2 1/8" NOM. EXTERIOR WALL CONSTRUCTION SYSTEM DEPTH (NOT BY LUDOWICI)

3" MIN. COVERAGE

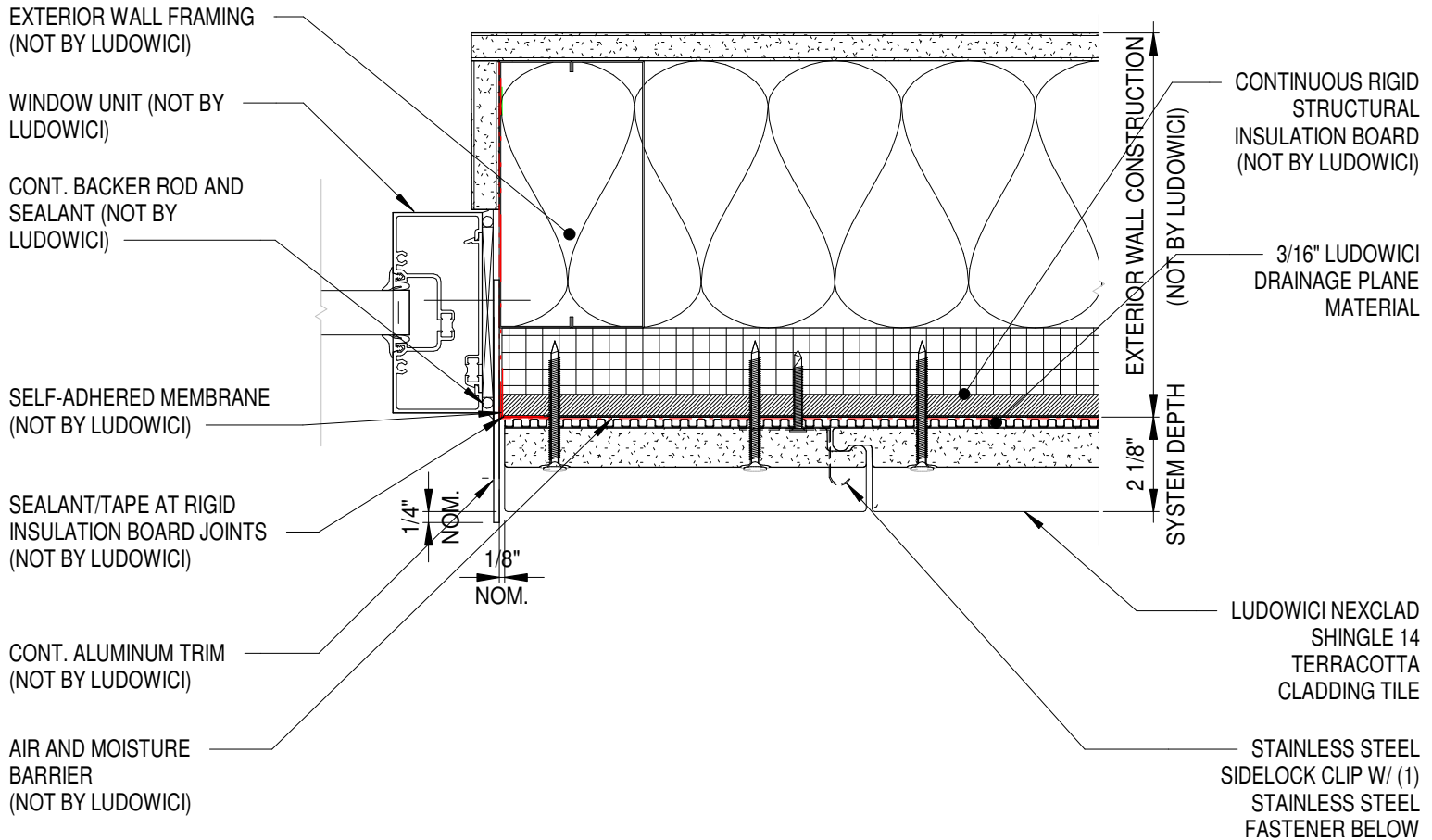


4757 Tile Plant Road
New Lexington, Ohio 43764
Telephone: (800) 945-8453 Fax: (740) 342-0025
www.ludowici.com

SYSTEM:	NeXclad Shingle 14
DETAIL #:	14rb
Description:	WINDOW SILL SECTION W/CONTINUOUS RIGID STRUCTURAL INSULATION BOARD
Building Construction:	Continuous Rigid Structural Insulation Board
Drawing Date:	04.23.2025
Scale:	3" = 1'-0"
Ludowici Reference #:	NeXclad Shingle 14 14rb Designer

The information contained on this drawing is the property of Ludowici Roof Tile. Any use or reproduction in whole or in part without the express written permission of Ludowici Roof Tile is strictly prohibited. Ludowici Roof Tile, Inc. reserves the right to modify the configuration of item(s) shown without prior written notice.

© Ludowici Roof Tile, Inc. All Rights Reserved




LUDOWICI[®]

Trusted. Timeless. Terra Cotta.

4757 Tile Plant Road
 New Lexington, Ohio 43764
 Telephone: (800) 945-8453 Fax: (740) 342-0025
 www.ludowici.com

SYSTEM: NeXclad Shingle 14

DETAIL #: 15rb

Description: WINDOW JAMB PLAN DETAIL - METAL TRIM
W/CONTINUOUS RIGID STRUCTURAL INSULATION BOARD

Building Construction: Continuous Rigid Structural Insulation Board

Drawing Date: 04.23.2025

Scale: 3" = 1'-0"

Ludowici Reference #: NeXclad Shingle 14 15rb Designer

The information contained on this drawing is the property of Ludowici Roof Tile. Any use or reproduction in whole or in part without the express written permission of Ludowici Roof Tile is strictly prohibited. Ludowici Roof Tile, Inc. reserves the right to modify the configuration of item(s) shown without prior written notice.

© Ludowici Roof Tile, Inc. All Rights Reserved

(2) STAINLESS STEEL FASTENERS PER TILE (TYP.)

(2) 1" LONG DABS OF ADHESIVE

CONTINUOUS RIGID STRUCTURAL INSULATION BOARD (NOT BY LUDOWICI)

AIR AND MOISTURE BARRIER (NOT BY LUDOWICI)

LUDOWICI DRAINAGE PLANE MATERIAL

LUDOWICI NEXCLAD SHINGLE 14 TERRACOTTA CLADDING TILE

NEXCLAD 14 STARTER TILE. IN THE CASE OF FIELD CUT TILES OF SHORTER LENGTHS, STARTER TILES CAN BE CUT AND RE-POSITIONED TO RETAIN FIELD TILE ANGLE, (APPROX 5°). NON-COMBUSTIBLE ALTERNATIVES, SUCH AS METAL HATS OR Z PURLINS, APPROPRIATELY SIZED ARE ALSO ACCEPTABLE, AND NECESSARY IN CASES WITH TILES CUT TO AN EXPOSURE LESS THAN APPROX 7" (NOT BY LUDOWICI)

CONT. FLASHING WITH POSITIVE SLOPE DRAINAGE AWAY FROM INSIDE OF THE BUILDING (NOT BY LUDOWICI)

SELF-ADHERED MEMBRANE (NOT BY LUDOWICI)

SEALANT/TAPE AT RIGID BOARD JOINTS (NOT BY LUDOWICI)

2 1/8" NOM. EXTERIOR WALL CONSTRUCTION SYSTEM DEPTH (NOT BY LUDOWICI)
 1 7/8" TILE 3/16" 1/16"

3" ± HEADLAP

11" ± TILE EXPOSURE

1/2" NOM.

EXTERIOR WALL FRAMING (NOT BY LUDOWICI)

WINDOW UNIT (NOT BY LUDOWICI)

CONT. BACKER ROD AND SEALANT (NOT BY LUDOWICI)

CONT. ALUMINUM EXTRUSION TRIM (NOT BY LUDOWICI)



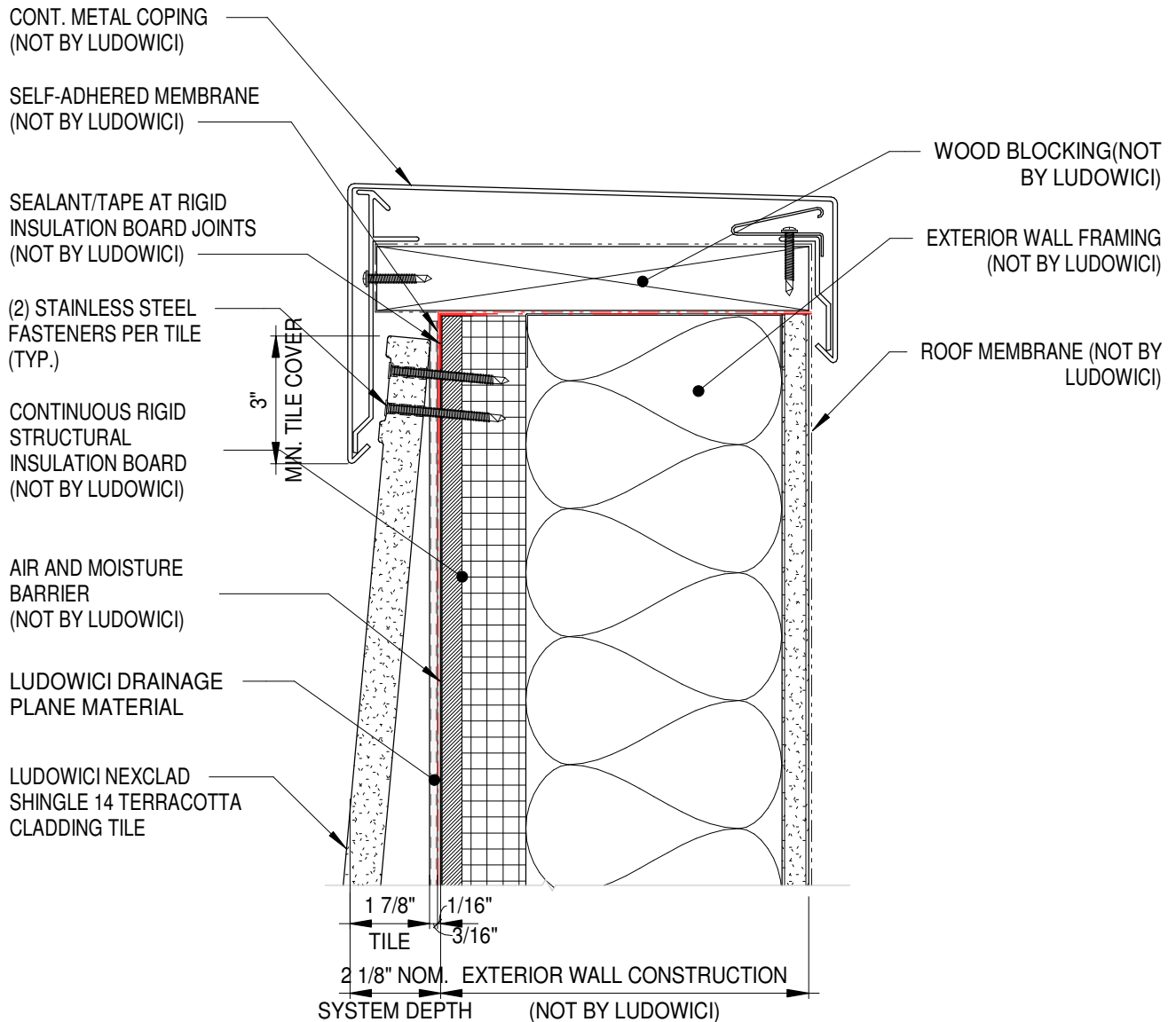
Trusted. Timeless. Terra Cotta.

4757 Tile Plant Road
 New Lexington, Ohio 43764
 Telephone: (800) 945-8453 Fax: (740) 342-0025
 www.ludowici.com

SYSTEM:	NeXclad Shingle 14
DETAIL #:	16rb
Description:	WINDOW HEAD SECTION W/CONTINUOUS RIGID STRUCTURAL INSULATION BOARD
Building Construction:	Continuous Rigid Structural Insulation Board
Drawing Date:	04.23.2025
Scale:	3" = 1'-0"
Ludowici Reference #:	NeXclad Shingle 14 16rb Designer

The information contained on this drawing is the property of Ludowici Roof Tile. Any use or reproduction in whole or in part without the express written permission of Ludowici Roof Tile is strictly prohibited. Ludowici Roof Tile, Inc. reserves the right to modify the configuration of item(s) shown without prior written notice.

© Ludowici Roof Tile, Inc. All Rights Reserved

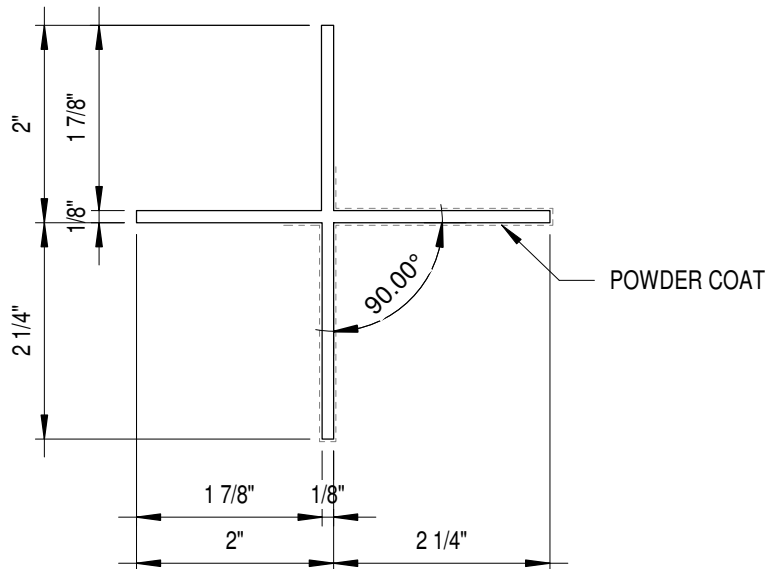


4757 Tile Plant Road
 New Lexington, Ohio 43764
 Telephone: (800) 945-8453 Fax: (740) 342-0025
 www.ludowici.com

SYSTEM:	NeXclad Shingle 14
DETAIL #:	17rb
Description:	PARAPET COPING SECTION W/CONTINUOUS RIGID STRUCTURAL INSULATION BOARD
Building Construction:	Continuous Rigid Structural Insulation Board
Drawing Date:	04.23.2025
Scale:	3" = 1'-0"
Ludowici Reference #:	NeXclad Shingle 14 17rb Designer

The information contained on this drawing is the property of Ludowici Roof Tile. Any use or reproduction in whole or in part without the express written permission of Ludowici Roof Tile is strictly prohibited. Ludowici Roof Tile, Inc. reserves the right to modify the configuration of item(s) shown without prior written notice.

© Ludowici Roof Tile, Inc. All Rights Reserved

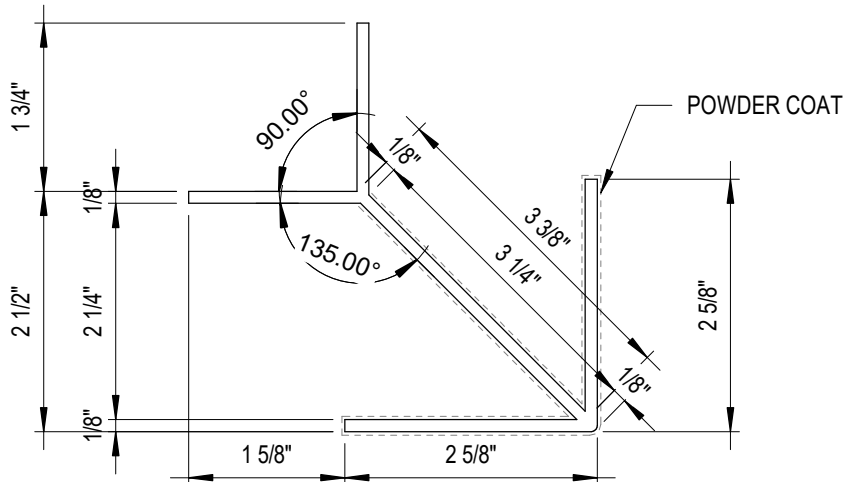



LUDOWICI[®]
Trusted. Timeless. Terra Cotta.

4757 Tile Plant Road
New Lexington, Ohio 43764
Telephone: (800) 945-8453 Fax: (740) 342-0025
www.ludowici.com

SYSTEM:	NEXCLAD 14 & 16
DETAIL #:	20.1
Description: RE-ENTRANT TRIM - FABRICATION DIMENSIONS	
Building Construction:	
Drawing Date:	09/03/24
Scale:	6" = 1'-0"
Ludowici Reference #:	NeXclad Shingle 16 20.1 Designer

The information contained on this drawing is the property of Ludowici Roof Tile. Any use or reproduction in whole or in part without the express written permission of Ludowici Roof Tile is strictly prohibited. Ludowici Roof Tile, Inc. reserves the right to modify the configuration of item(s) shown without prior written notice.



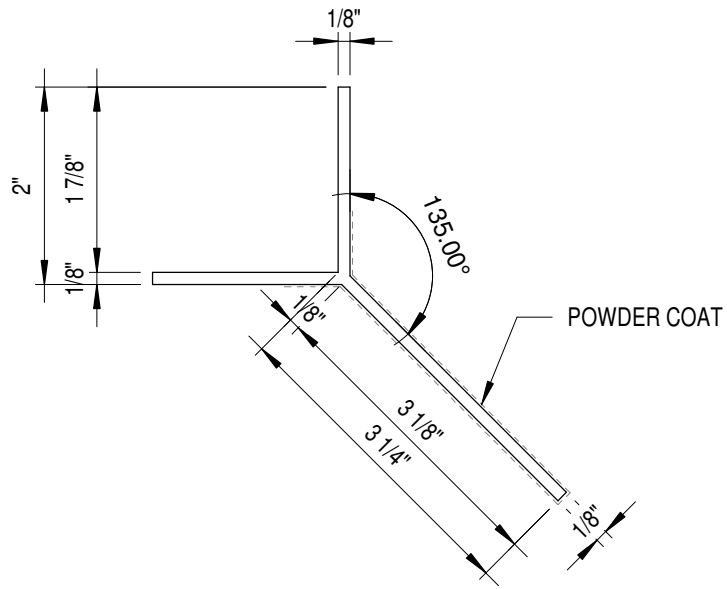

LUDOWICI®
Trusted. Timeless. Terra Cotta.

4757 Tile Plant Road
 New Lexington, Ohio 43764
 Telephone: (800) 945-8453 Fax: (740) 342-0025
 www.ludowici.com

SYSTEM:	NEXCLAD 14 & 16
DETAIL #:	20.2
Description:	GREATER ARROW TRIM - FABRICATION DIMENSIONS
Building Construction:	
Drawing Date:	03/19/26
Scale:	6" = 1'-0"
Ludowici Reference #:	NeXclad Shingle 16 20.2 Designer

The information contained on this drawing is the property of Ludowici Roof Tile. Any use or reproduction in whole or in part without the express written permission of Ludowici Roof Tile is strictly prohibited. Ludowici Roof Tile, Inc. reserves the right to modify the configuration of item(s) shown without prior written notice.

© Ludowici Roof Tile, Inc. All Rights Reserved

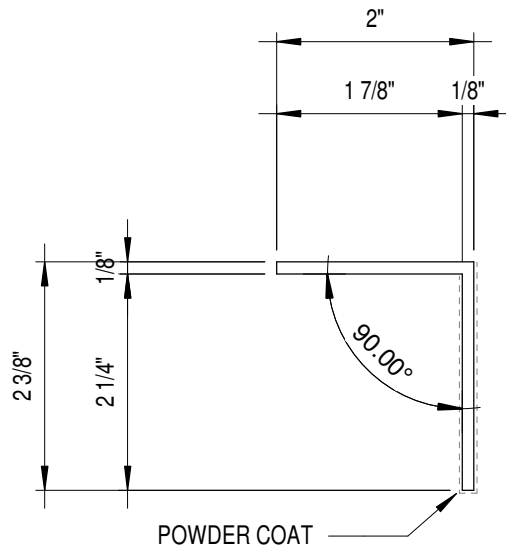



LUDOWICI[®]
Trusted. Timeless. Terra Cotta.

4757 Tile Plant Road
New Lexington, Ohio 43764
Telephone: (800) 945-8453 Fax: (740) 342-0025
www.ludowici.com

SYSTEM:	NEXCLAD 14 & 16
DETAIL #:	20.3
Description: KNIFE TRIM - FABRICATION DIMENSIONS	
Building Construction:	
Drawing Date:	09/03/24
Scale:	6" = 1'-0"
Ludowici Reference #:	NeXclad Shingle 16 20.3 Designer

The information contained on this drawing is the property of Ludowici Roof Tile. Any use or reproduction in whole or in part without the express written permission of Ludowici Roof Tile is strictly prohibited. Ludowici Roof Tile, Inc. reserves the right to modify the configuration of item(s) shown without prior written notice.




LUDOWICI[®]
Trusted. Timeless. Terra Cotta.

4757 Tile Plant Road
New Lexington, Ohio 43764
Telephone: (800) 945-8453 Fax: (740) 342-0025
www.ludowici.com

SYSTEM:	NEXCLAD 14 & 16
DETAIL #:	20.4
Description: L TRIM - FABRICATION DIMENSIONS	
Building Construction:	
Drawing Date:	09/03/24
Scale:	6" = 1'-0"
Ludowici Reference #:	NeXclad Shingle 16 20.4 Designer

The information contained on this drawing is the property of Ludowici Roof Tile. Any use or reproduction in whole or in part without the express written permission of Ludowici Roof Tile is strictly prohibited. Ludowici Roof Tile, Inc. reserves the right to modify the configuration of item(s) shown without prior written notice.