

NEXCLAD 14

P R O T O T Y P I C A L D E T A I L S



LUDOWICI®

PROTOTYPICAL DETAILS
KEY

P A G E O N E O F T W O




LUDOWICI®

PROTOTYPICAL DETAILS

KEY

PAGE TWO OF TWO




LUDOWICI®

STAINLESS STEEL
SIDELOCK CLIP W/ (1)
STAINLESS STEEL
FASTENER (TYP.)

LUDOWICI NEXCLAD
SHINGLE 14 TERRACOTTA
CLADDING TILE

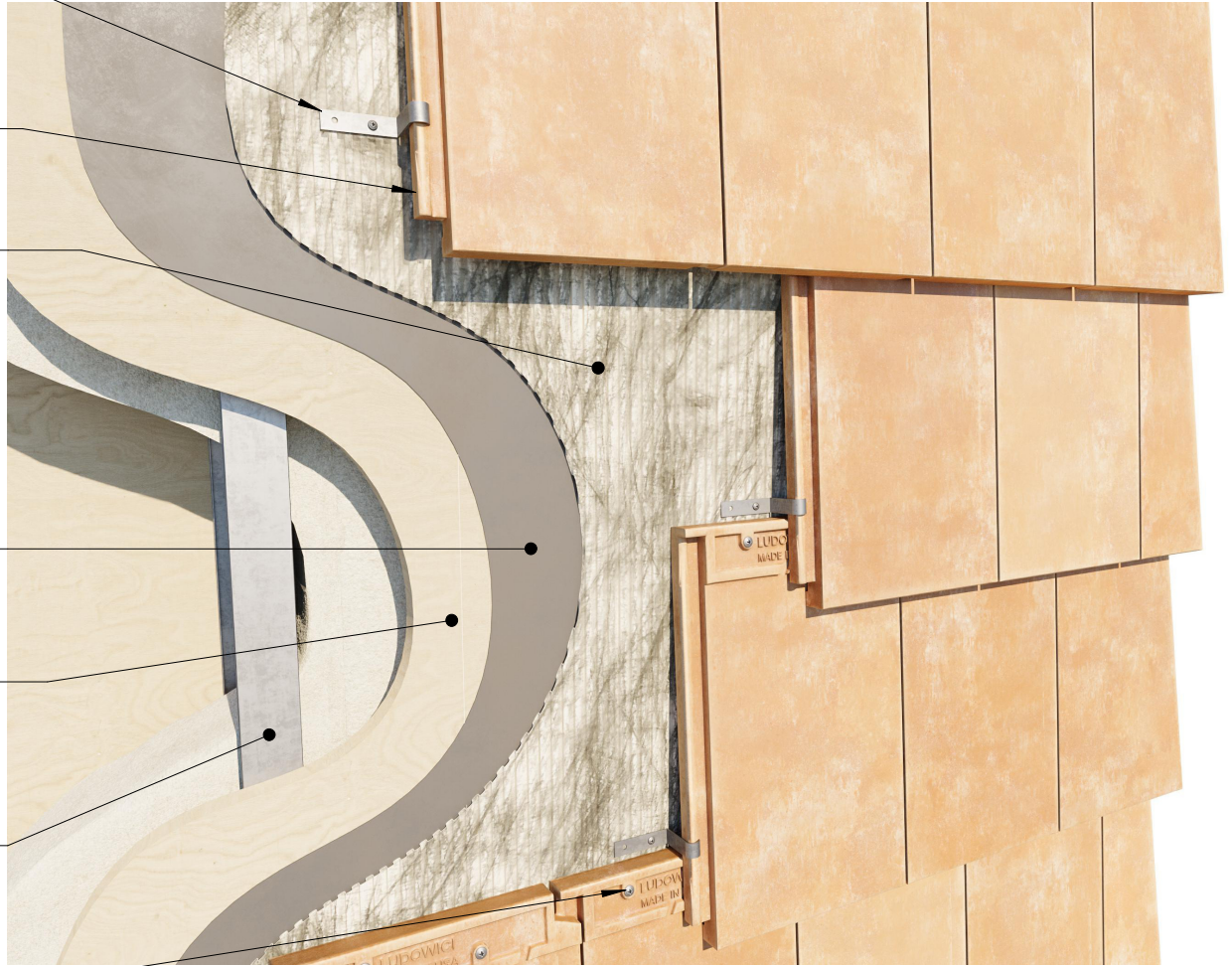
3/16" LUDOWICI
DRAINAGE PLANE
MATERIAL. NOTE:
CORRUGATION OF THE
DRAINAGE MAT TO FACE
TOWARD THE INSIDE OF
THE BUILDING, THE
FLEECE LINER FACES
THE OUTSIDE.

AIR AND MOISTURE
BARRIER (NOT BY
LUDOWICI)

SCREWABLE
STRUCTURAL
SHEATHING BOARD
(NOT BY LUDOWICI)

EXTERIOR WALL
FRAMING (NOT BY
LUDOWICI)

(2) STAINLESS STEEL
FASTENERS PER TILE
(TYP.)




LUDOWICI®

Trusted. Timeless. Terra Cotta.

4757 Tile Plant Road
New Lexington, Ohio 43764
Telephone: (800) 945-8453 Fax: (740) 342-0025
www.ludowici.com

SYSTEM: NeXclad Shingle 14

DETAIL #: 0.3s

Description: SYSTEM COMPONENTS ISO

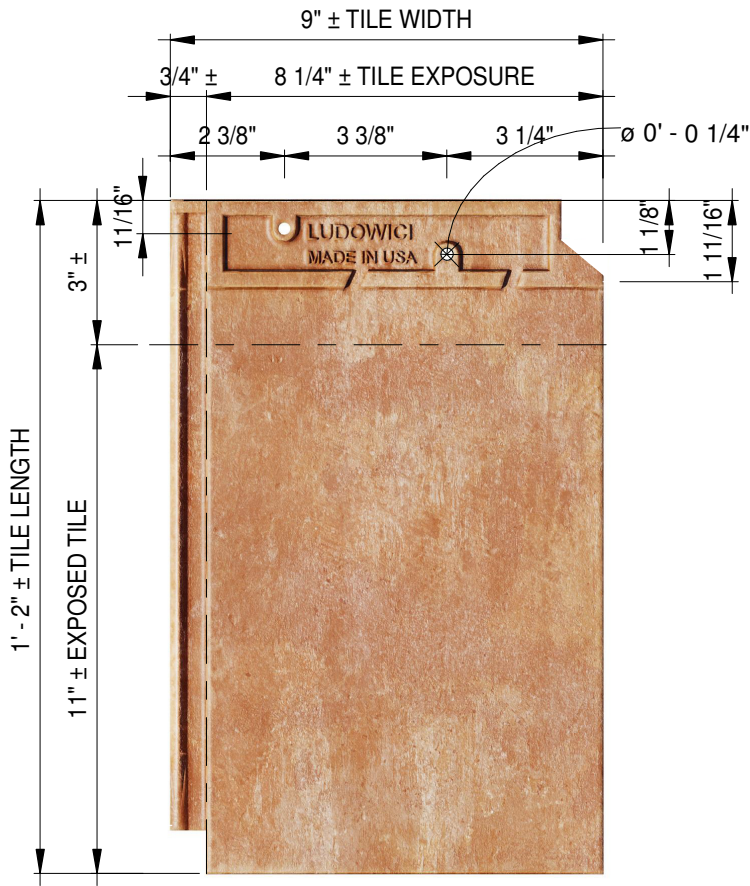
Building Construction: Stud Wall Framing

Drawing Date: 04.23.2025

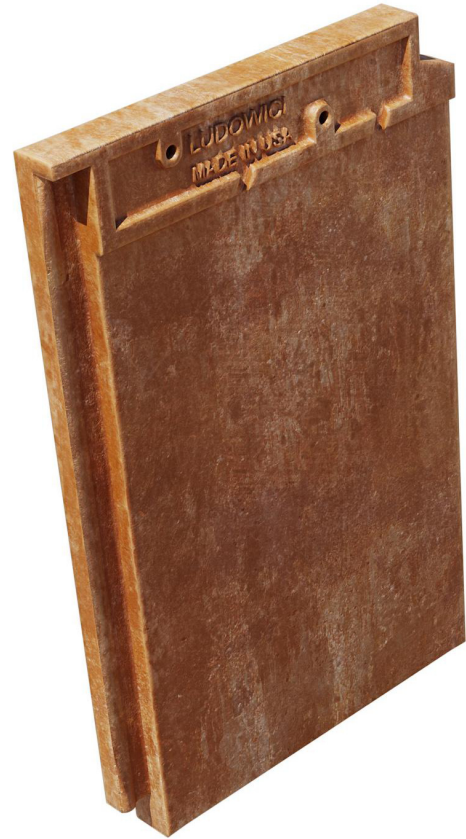
Scale: 3" = 1'-0"

Ludowici Reference #: NeXclad Shingle 14 0.3s Designer

The information contained on this drawing is the property of Ludowici Roof Tile. Any use or reproduction in whole or in part without the express written permission of Ludowici Roof Tile is strictly prohibited. Ludowici Roof Tile, Inc. reserves the right to modify the configuration of item(s) shown without prior written notice.



FRONT



ISO



TOP



RIGHT

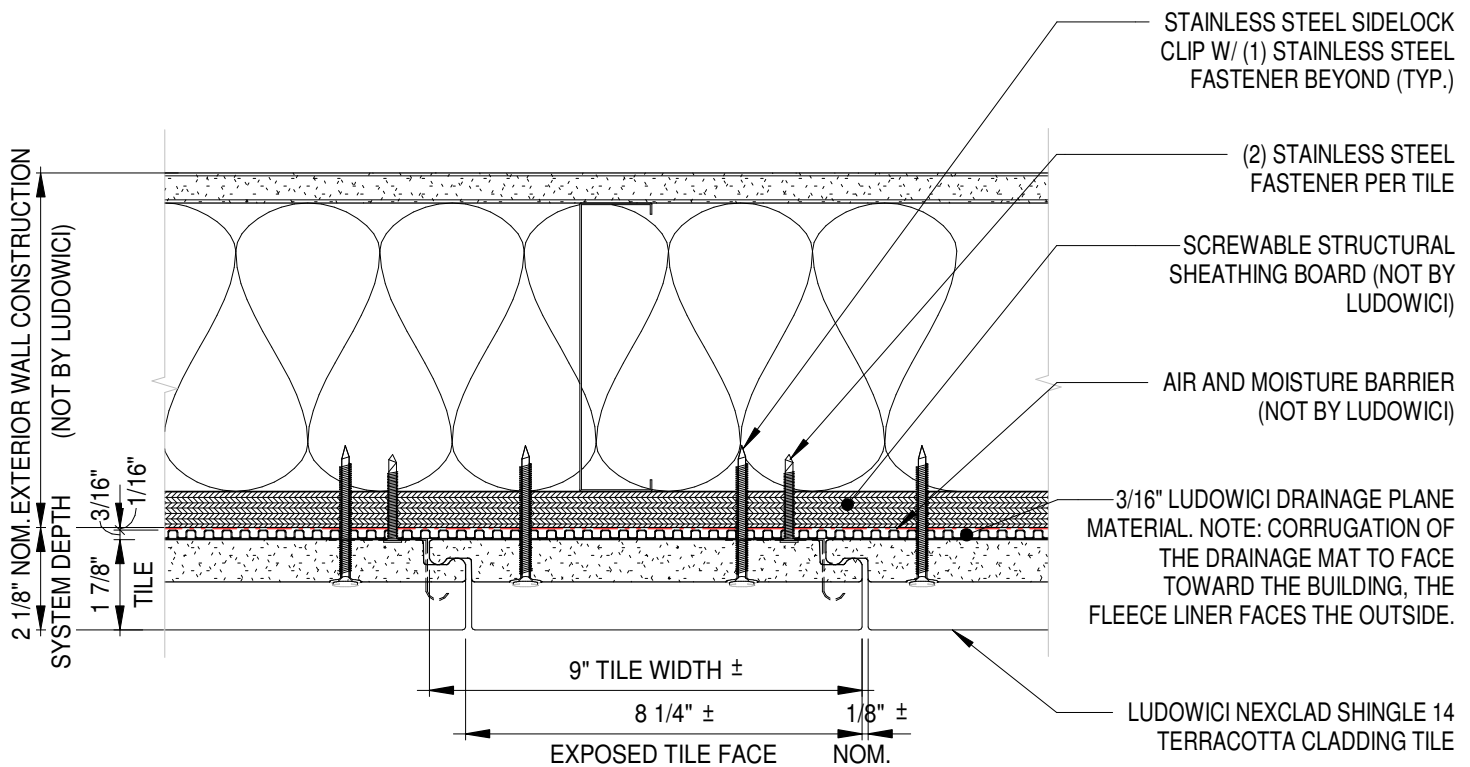
NOTE: CLAY TILE MANUFACTURING STANDARD C1167 ALLOWS FOR A +/-5% DIMENSIONAL DEVIATION FROM PUBLISHED STANDARDS



4757 Tile Plant Road
 New Lexington, Ohio 43764
 Telephone: (800) 945-8453 Fax: (740) 342-0025
 www.ludowici.com

SYSTEM:	NeXclad Shingle 14
DETAIL #:	0.4
Description: FIELD TILE DIMENSIONS	
Building Construction:	
Drawing Date:	04.23.2025
Scale:	3" = 1'-0"
Ludowici Reference #:	NeXclad Shingle 14 0.4

The information contained on this drawing is the property of Ludowici Roof Tile. Any use or reproduction in whole or in part without the express written permission of Ludowici Roof Tile is strictly prohibited. Ludowici Roof Tile, Inc. reserves the right to modify the configuration of item(s) shown without prior written notice.



GENERAL NOTES:

- A. EXTERIOR WALL FRAMING MAY BE COLD-FORMED METAL FRAMING (AS SHOWN) OR WOOD STUD FRAMING.
- B. CONDITIONS OF CONSTRUCTION SHOULD BE CONSIDERED WHEN SELECTING SCREWABLE WALL SHEATHING.


LUDOWICI[®]
Trusted. Timeless. Terra Cotta.

4757 Tile Plant Road
New Lexington, Ohio 43764
Telephone: (800) 945-8453 Fax: (740) 342-0025
www.ludowici.com

SYSTEM: NeXclad Shingle 14

DETAIL #: 1S

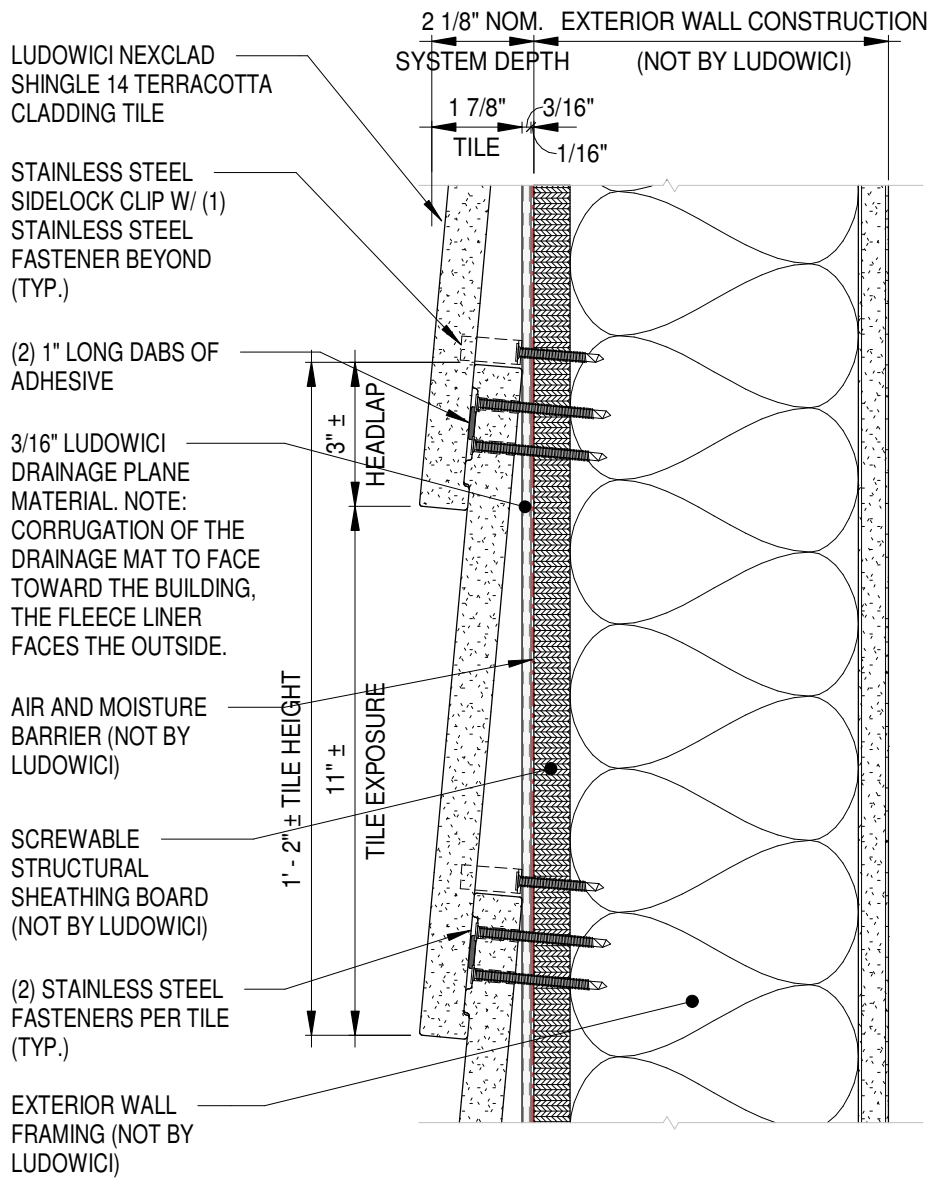
Description: TYPICAL INSTALLATION PLAN

Building Construction: Stud Wall Framing

Drawing Date: 04.23.2025

Scale: 3" = 1'-0"

Ludowici Reference #: NeXclad Shingle 14 1s Designer



GENERAL NOTES:

- A. EXTERIOR WALL FRAMING MAY BE COLD-FORMED METAL FRAMING (AS SHOWN) OR WOOD STUD FRAMING.
- B. CONDITIONS OF CONSTRUCTION SHOULD BE CONSIDERED WHEN SELECTING SCREWABLE WALL SHEATHING.



4757 Tile Plant Road
 New Lexington, Ohio 43764
 Telephone: (800) 945-8453 Fax: (740) 342-0025
 www.ludowici.com

SYSTEM:	NeXclad Shingle 14
DETAIL #:	2S
Description: TYPICAL INSTALLATION SECTION	
Building Construction:	Stud Wall Framing
Drawing Date:	04.23.2025
Scale:	3" = 1'-0"
Ludowici Reference #:	NeXclad Shingle 14 2s Designer





Trusted. Timeless. Terra Cotta.

4757 Tile Plant Road
New Lexington, Ohio 43764
Telephone: (800) 945-8453 Fax: (740) 342-0025
www.ludowici.com

SYSTEM: NeXclad Shingle 14

DETAIL #: 3axo

Description: EXTERNAL CORNER AXO - TWO-PIECE TILE - AXONOMETRIC

Building Construction:

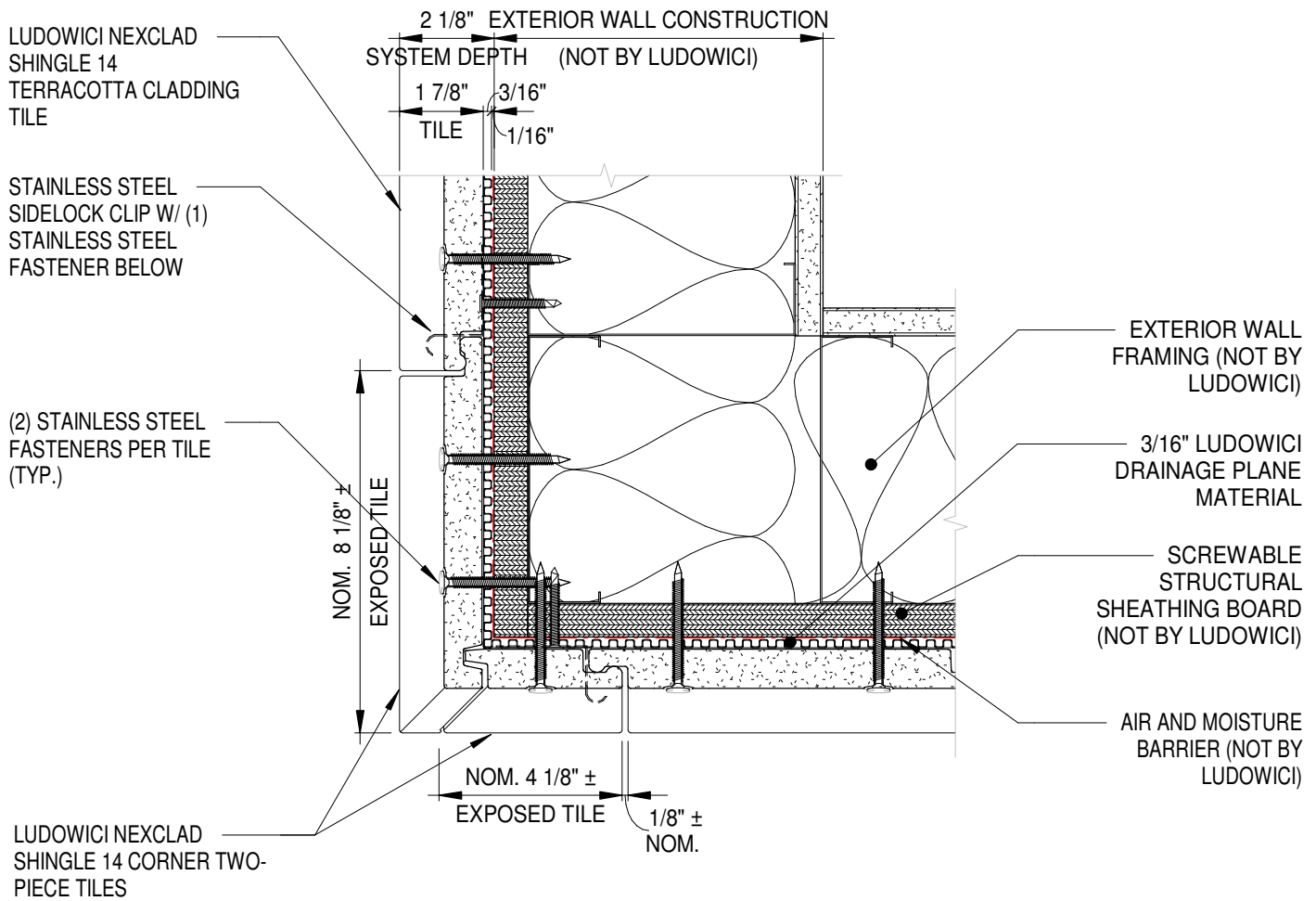
Drawing Date: 04.23.2025

Scale:

Ludowici Reference #: NeXclad Shingle 14 3axo Designer

The information contained on this drawing is the property of Ludowici Roof Tile. Any use or reproduction in whole or in part without the express written permission of Ludowici Roof Tile is strictly prohibited. Ludowici Roof Tile, Inc. reserves the right to modify the configuration of item(s) shown without prior written notice.

© Ludowici Roof Tile, Inc. All Rights Reserved



GENERAL NOTES:

- A. EXTERIOR WALL FRAMING MAY BE COLD-FORMED METAL FRAMING (AS SHOWN) OR WOOD STUD FRAMING.
- B. CONDITIONS OF CONSTRUCTION SHOULD BE CONSIDERED WHEN SELECTING SCREWABLE WALL SHEATHING.



4757 Tile Plant Road
 New Lexington, Ohio 43764
 Telephone: (800) 945-8453 Fax: (740) 342-0025
 www.ludowici.com

SYSTEM:	NeXclad Shingle 14
DETAIL #:	3S
Description: EXTERNAL CORNER PLAN DETAIL - TWO-PIECE TILE	
Building Construction:	Stud Wall Framing
Drawing Date:	04.23.2025
Scale:	3" = 1'-0"
Ludowici Reference #:	NeXclad Shingle 14 3s Designer

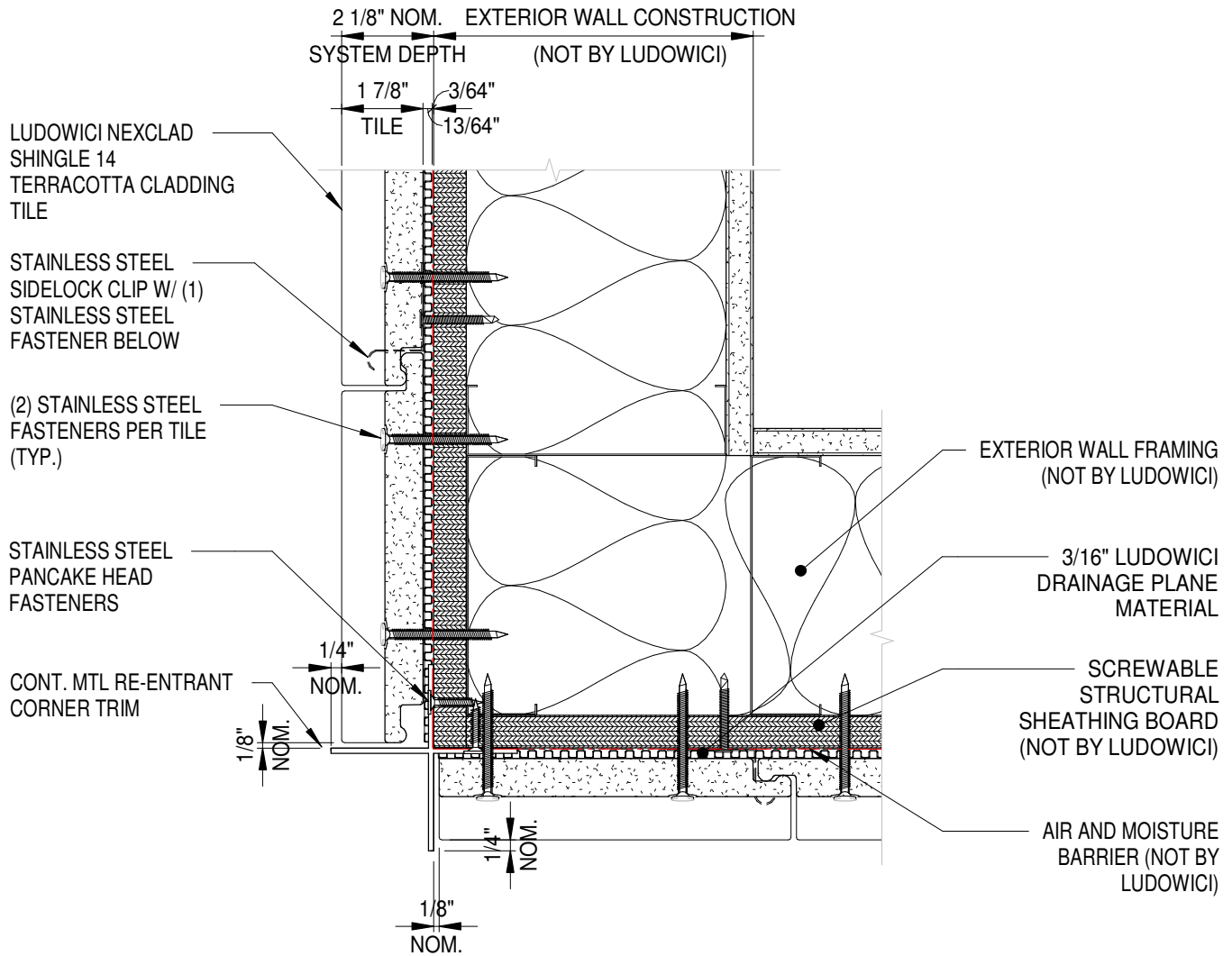



LUDOWICI[®]
Trusted. Timeless. Terra Cotta.

4757 Tile Plant Road
New Lexington, Ohio 43764
Telephone: (800) 945-8453 Fax: (740) 342-0025
www.ludowici.com

SYSTEM:	NeXclad Shingle 14
DETAIL #:	4axo
Description: EXTERNAL CORNER PLAN DETAIL - RE-ENTRANT AXONOMETRIC	
Building Construction:	Stud Wall Framing
Drawing Date:	04.23.2025
Scale:	
Ludowici Reference #:	NeXclad Shingle 14 4axo Designer

The information contained on this drawing is the property of Ludowici Roof Tile. Any use or reproduction in whole or in part without the express written permission of Ludowici Roof Tile is strictly prohibited. Ludowici Roof Tile, Inc. reserves the right to modify the configuration of item(s) shown without prior written notice.



GENERAL NOTES:

- A. EXTERIOR WALL FRAMING MAY BE COLD-FORMED METAL FRAMING (AS SHOWN) OR WOOD STUD FRAMING.
- B. CONDITIONS OF CONSTRUCTION SHOULD BE CONSIDERED WHEN SELECTING SCREWABLE WALL SHEATHING.



4757 Tile Plant Road
 New Lexington, Ohio 43764
 Telephone: (800) 945-8453 Fax: (740) 342-0025
 www.ludowici.com

SYSTEM:	NeXclad Shingle 14
DETAIL #:	4S
Description: EXTERNAL CORNER PLAN DETAIL - RE-ENTRANT	
Building Construction:	Stud Wall Framing
Drawing Date:	04.23.2025
Scale:	3" = 1'-0"
Ludowici Reference #:	NeXclad Shingle 14 4s Designer




LUDOWICI[®]
Trusted. Timeless. Terra Cotta.

4757 Tile Plant Road
New Lexington, Ohio 43764
Telephone: (800) 945-8453 Fax: (740) 342-0025
www.ludowici.com

SYSTEM: NeXclad Shingle 14

DETAIL #: 5axo

Description: EXTERNAL CORNER PLAN DETAIL - GREATER ARROW MTL TRIM - AXO

Building Construction: Stud Wall Framing

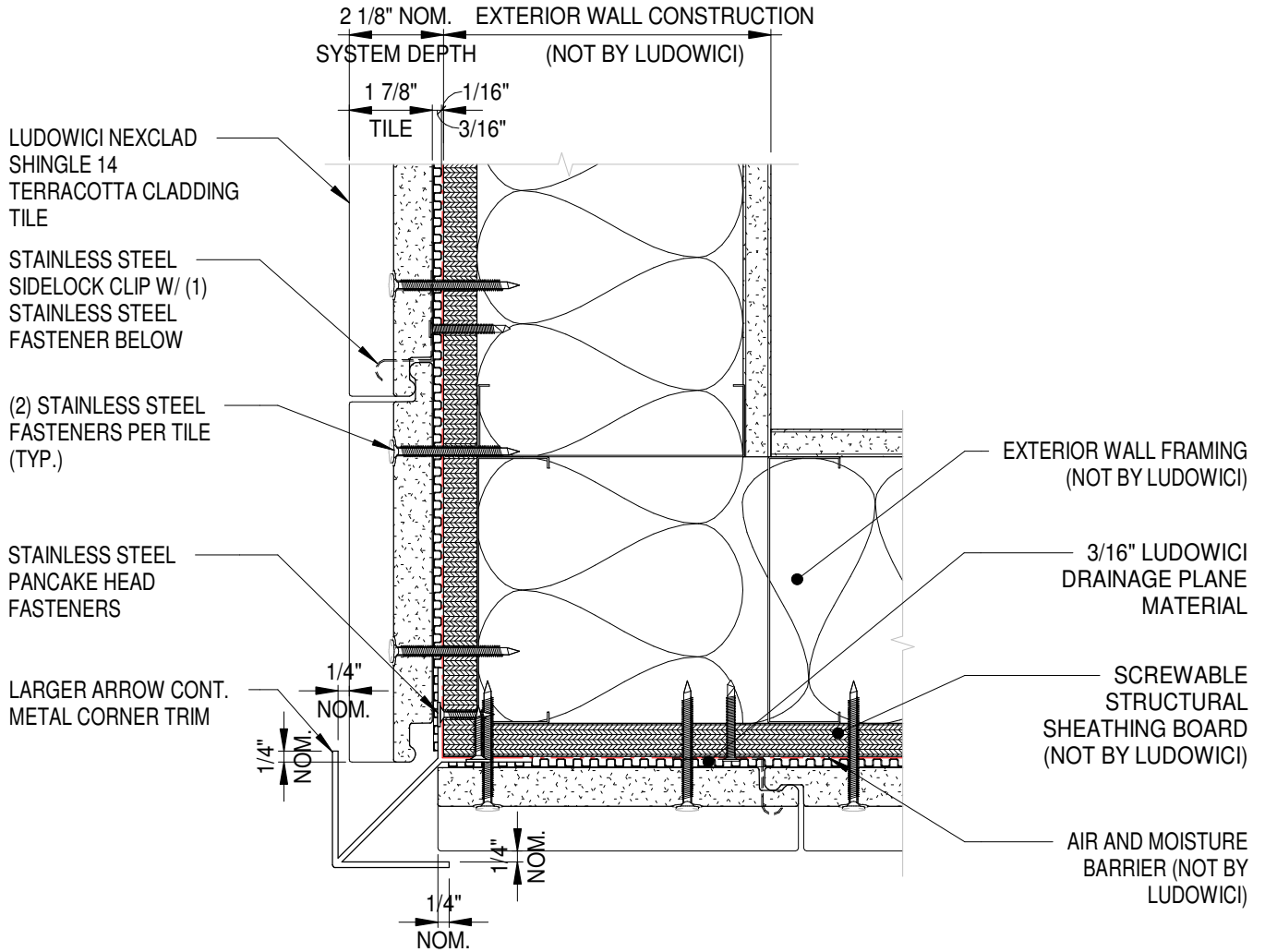
Drawing Date: 04.23.2025

Scale:

Ludowici Reference #: NeXclad Shingle 14 5axo Designer

The information contained on this drawing is the property of Ludowici Roof Tile. Any use or reproduction in whole or in part without the express written permission of Ludowici Roof Tile is strictly prohibited. Ludowici Roof Tile, Inc. reserves the right to modify the configuration of item(s) shown without prior written notice.

© Ludowici Roof Tile, Inc. All Rights Reserved



GENERAL NOTES:

- A. EXTERIOR WALL FRAMING MAY BE COLD-FORMED METAL FRAMING (AS SHOWN) OR WOOD STUD FRAMING.
- B. CONDITIONS OF CONSTRUCTION SHOULD BE CONSIDERED WHEN SELECTING SCREWABLE WALL SHEATHING.



4757 Tile Plant Road
 New Lexington, Ohio 43764
 Telephone: (800) 945-8453 Fax: (740) 342-0025
 www.ludowici.com

SYSTEM:	NeXclad Shingle 14
DETAIL #:	5s
Description:	EXTERNAL CORNER PLAN DETAIL - GREATER ARROW MTL CORNER TRIM
Building Construction:	Stud Wall Framing
Drawing Date:	04.23.2025
Scale:	3" = 1'-0"
Ludowici Reference #:	NeXclad Shingle 14 5s Designer

The information contained on this drawing is the property of Ludowici Roof Tile. Any use or reproduction in whole or in part without the express written permission of Ludowici Roof Tile is strictly prohibited. Ludowici Roof Tile, Inc. reserves the right to modify the configuration of item(s) shown without prior written notice.





LUDOWICI[®]

Trusted. Timeless. Terra Cotta.

4757 Tile Plant Road
 New Lexington, Ohio 43764
 Telephone: (800) 945-8453 Fax: (740) 342-0025
www.ludowici.com

SYSTEM: NeXclad Shingle 14

DETAIL #: 7axo

Description: EXTERNAL CORNER PLAN DETAIL - KNIFE MTL CORNER TRIM - AXO

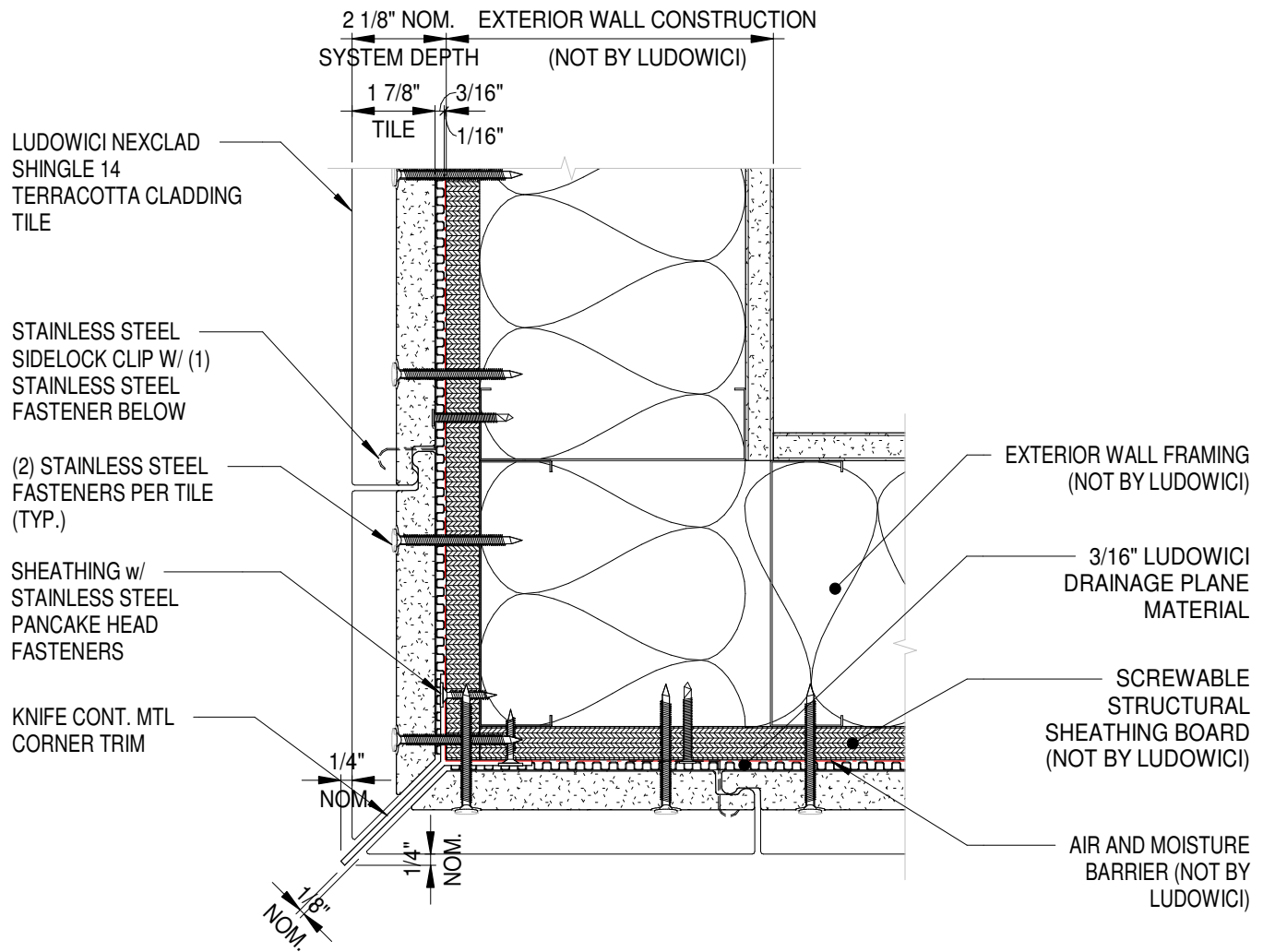
Building Construction: Stud Wall Framing

Drawing Date: 04.23.2025

Scale:

Ludowici Reference #: NeXclad Shingle 14 7axo Designer

The information contained on this drawing is the property of Ludowici Roof Tile. Any use or reproduction in whole or in part without the express written permission of Ludowici Roof Tile is strictly prohibited. Ludowici Roof Tile, Inc. reserves the right to modify the configuration of item(s) shown without prior written notice.



GENERAL NOTES:

- A. EXTERIOR WALL FRAMING MAY BE COLD-FORMED METAL FRAMING (AS SHOWN) OR WOOD STUD FRAMING.
- B. CONDITIONS OF CONSTRUCTION SHOULD BE CONSIDERED WHEN SELECTING SCREWABLE WALL SHEATHING.



4757 Tile Plant Road
 New Lexington, Ohio 43764
 Telephone: (800) 945-8453 Fax: (740) 342-0025
 www.ludowici.com

SYSTEM:	NeXclad Shingle 14
DETAIL #:	7s
Description:	EXTERNAL CORNER PLAN DETAIL - KNIFE MTL CORNER TRIM
Building Construction:	Stud Wall Framing
Drawing Date:	04.23.2025
Scale:	3" = 1'-0"
Ludowici Reference #:	NeXclad Shingle 14 7s Designer

The information contained on this drawing is the property of Ludowici Roof Tile. Any use or reproduction in whole or in part without the express written permission of Ludowici Roof Tile is strictly prohibited. Ludowici Roof Tile, Inc. reserves the right to modify the configuration of item(s) shown without prior written notice.




LUDOWICI[®]
Trusted. Timeless. Terra Cotta.

4757 Tile Plant Road
New Lexington, Ohio 43764
Telephone: (800) 945-8453 Fax: (740) 342-0025
www.ludowici.com

SYSTEM: NeXclad Shingle 14

DETAIL #: 9axo

Description: EXTERNAL CORNER - FLUSH SHIPLAP CORNER TILE - AXO

Building Construction: Stud Wall Framing

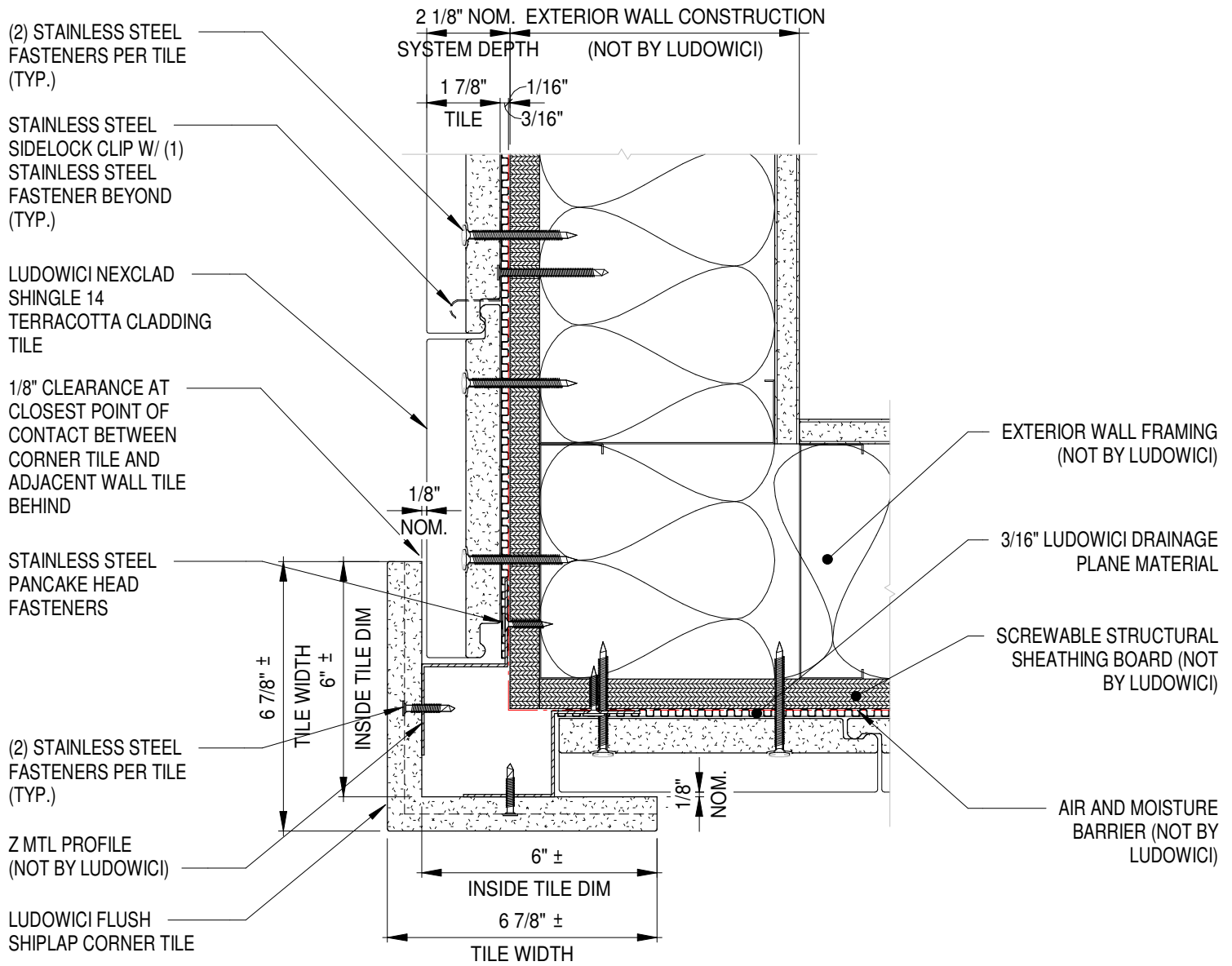
Drawing Date: 04.23.2025

Scale:

Ludowici Reference #: NeXclad Shingle 14 9axo Designer

The information contained on this drawing is the property of Ludowici Roof Tile. Any use or reproduction in whole or in part without the express written permission of Ludowici Roof Tile is strictly prohibited. Ludowici Roof Tile, Inc. reserves the right to modify the configuration of item(s) shown without prior written notice.

© Ludowici Roof Tile, Inc. All Rights Reserved



GENERAL NOTES:

- A. EXTERIOR WALL FRAMING MAY BE COLD-FORMED METAL FRAMING (AS SHOWN) OR WOOD STUD FRAMING.
- B. CONDITIONS OF CONSTRUCTION SHOULD BE CONSIDERED WHEN SELECTING SCREWABLE WALL SHEATHING.

LUDOWICI[®]

Trusted. Timeless. Terra Cotta.

4757 Tile Plant Road
 New Lexington, Ohio 43764
 Telephone: (800) 945-8453 Fax: (740) 342-0025
 www.ludowici.com

SYSTEM: NeXclad Shingle 14

DETAIL #: 9s

Description: EXTERNAL CORNER - FLUSH SHIPLAP CORNER TILE

Building Construction: Stud Wall Framing

Drawing Date: 04.23.2025

Scale: 3" = 1'-0"

Ludowici Reference #: NeXclad Shingle 14 9s Designer




LUDOWICI[®]

Trusted. Timeless. Terra Cotta.

4757 Tile Plant Road
New Lexington, Ohio 43764
Telephone: (800) 945-8453 Fax: (740) 342-0025
www.ludowici.com

SYSTEM: NeXclad Shingle 14

DETAIL #: 10axo

Description: EXTERNAL CORNER - 'V' CORNER TILE - AXO

Building Construction: Stud Wall Framing

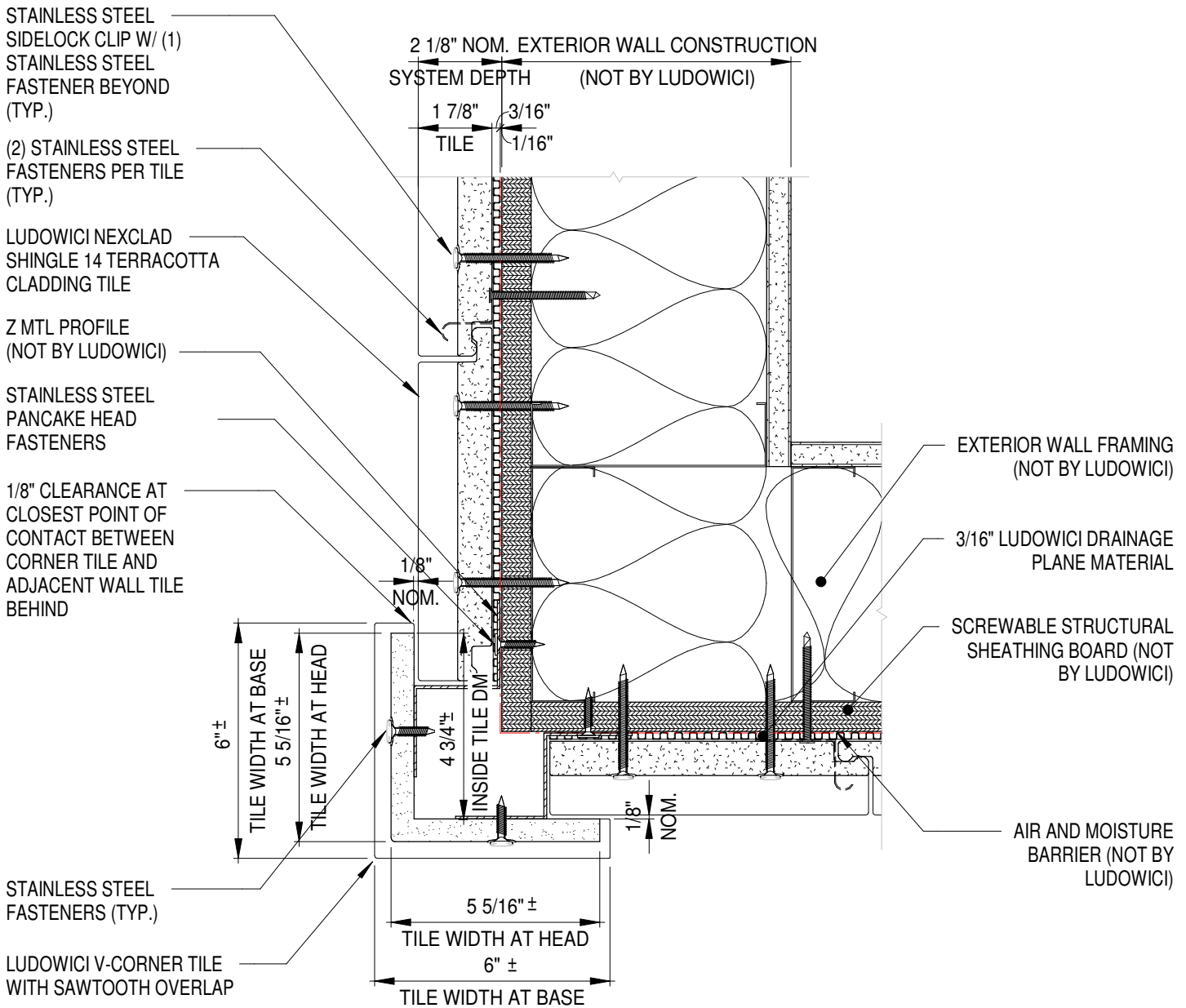
Drawing Date: 04.23.2025

Scale:

Ludowici Reference #: NeXclad Shingle 14 10axo Designer

The information contained on this drawing is the property of Ludowici Roof Tile. Any use or reproduction in whole or in part without the express written permission of Ludowici Roof Tile is strictly prohibited. Ludowici Roof Tile, Inc. reserves the right to modify the configuration of item(s) shown without prior written notice.

© Ludowici Roof Tile, Inc. All Rights Reserved



GENERAL NOTES:

- A. EXTERIOR WALL FRAMING MAY BE COLD-FORMED METAL FRAMING (AS SHOWN) OR WOOD STUD FRAMING.
- B. CONDITIONS OF CONSTRUCTION SHOULD BE CONSIDERED WHEN SELECTING SCREWABLE WALL SHEATHING.



4757 Tile Plant Road
 New Lexington, Ohio 43764
 Telephone: (800) 945-8453 Fax: (740) 342-0025
 www.ludowici.com

SYSTEM: NeXclad Shingle 14

DETAIL #: 10S

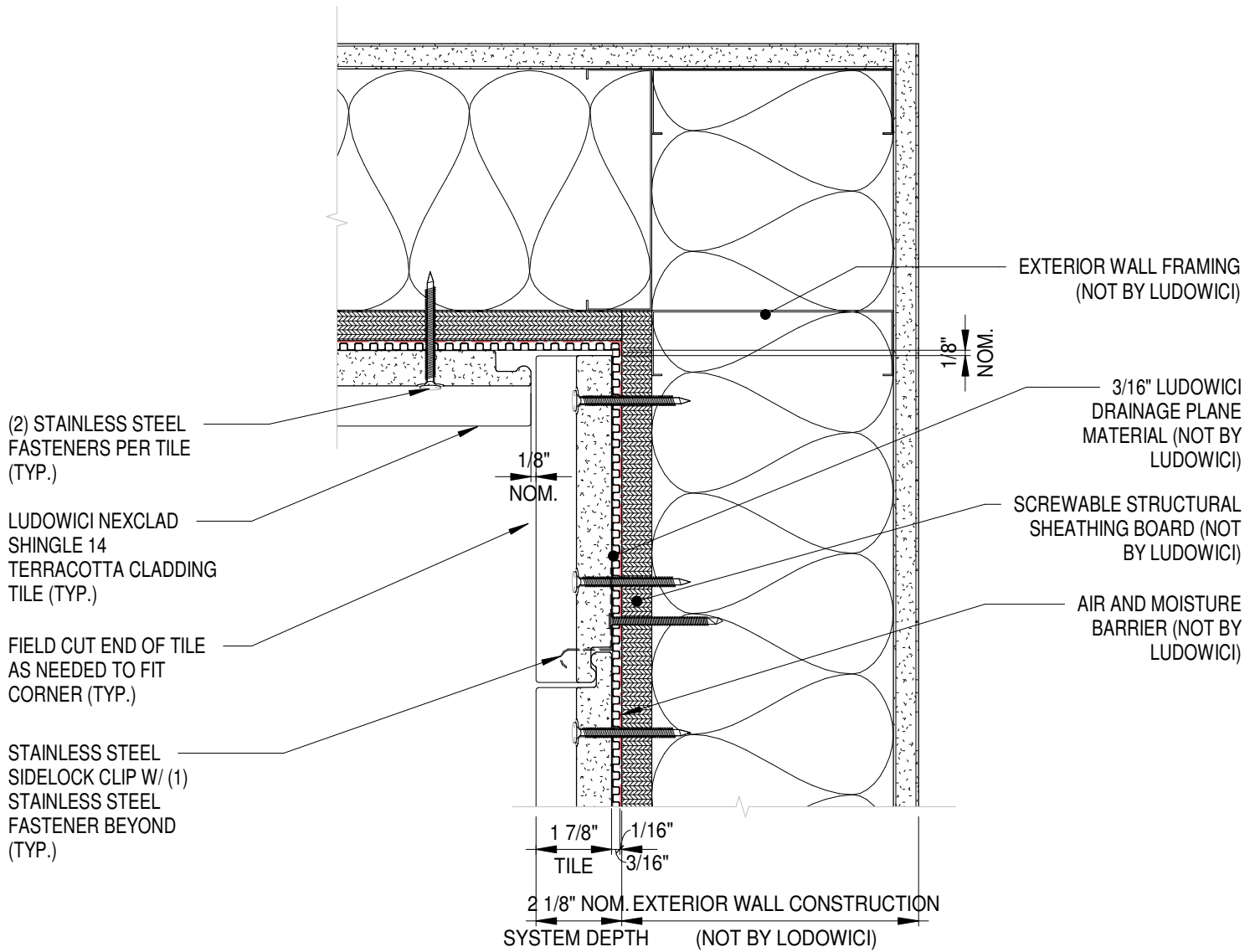
Description: EXTERNAL CORNER - 'V' CORNER TILE

Building Construction: Stud Wall Framing

Drawing Date: 04.23.2025

Scale: 3" = 1'-0"

Ludowici Reference #: NeXclad Shingle 14 10s Designer



GENERAL NOTES:

- A. EXTERIOR WALL FRAMING MAY BE COLD-FORMED METAL FRAMING (AS SHOWN) OR WOOD STUD FRAMING.
- B. CONDITIONS OF CONSTRUCTION SHOULD BE CONSIDERED WHEN SELECTING SCREWABLE WALL SHEATHING.

LUDOWICI[®]

Trusted. Timeless. Terra Cotta.

4757 Tile Plant Road
 New Lexington, Ohio 43764
 Telephone: (800) 945-8453 Fax: (740) 342-0025
 www.ludowici.com

SYSTEM: NeXclad Shingle 14

DETAIL #: 11S

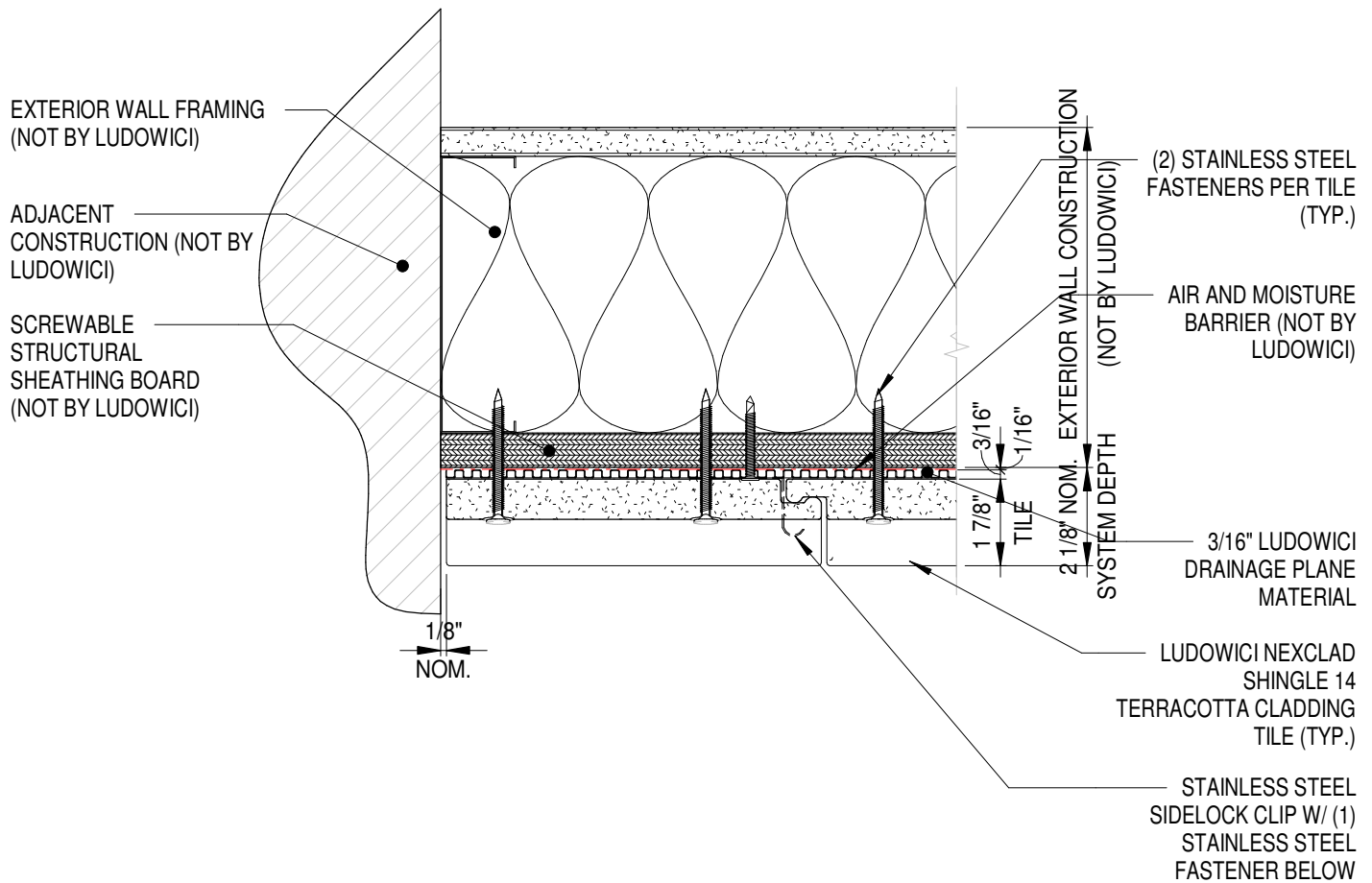
Description: INTERNAL CORNER PLAN DETAIL

Building Construction: Stud Wall Framing

Drawing Date: 04.23.2025

Scale: 3" = 1'-0"

Ludowici Reference #: NeXclad Shingle 14 11s Designer



GENERAL NOTES:

- A. EXTERIOR WALL FRAMING MAY BE COLD-FORMED METAL FRAMING (AS SHOWN) OR WOOD STUD FRAMING.
- B. CONDITIONS OF CONSTRUCTION SHOULD BE CONSIDERED WHEN SELECTING SCREWABLE WALL SHEATHING.



4757 Tile Plant Road
 New Lexington, Ohio 43764
 Telephone: (800) 945-8453 Fax: (740) 342-0025
 www.ludowici.com

SYSTEM: NeXclad Shingle 14

DETAIL #: 12S

Description: WALL TERMINATION PLAN DETAIL

Building Construction: Stud Wall Framing

Drawing Date: 04.23.2025

Scale: 3" = 1'-0"

Ludowici Reference #: NeXclad Shingle 14 12S .

LUDOWICI NEXCLAD
SHINGLE 14 TERRACOTTA
CLADDING TILE

(2) STAINLESS STEEL
FASTENERS PER TILE
(TYP.)

(2) 1" LONG DABS OF
ADHESIVE

3/16" LUDOWICI
DRAINAGE PLANE
MATERIAL

AIR AND MOISTURE BARRIER
(NOT BY LUDOWICI)

SCREWABLE STRUCTURAL
SHEATHING BOARD
(NOT BY LUDOWICI)

STAINLESS STEEL
SIDELOCK CLIP W/ (1)
STAINLESS STEEL
FASTENER BEYOND (TYP.)

NOTE: EXPOSURE REQUIRED
FOR FIRST COURSE COULD BE
LESS THAN SHOWN DEPENDING
ON DESIRED COURSEING
NEEDED ABOVE IN WALL
LAYOUT/DESIGN

NEXCLAD 14 STARTER TILE. IN THE
CASE OF FIELD CUT TILES OF
SHORTER LENGTHS, STARTER
TILES CAN BE CUT AND RE-
POSITIONED TO RETAIN FIELD TILE
ANGLE, (APPROX 5°). NON-
COMBUSTIBLE ALTERNATIVES,
SUCH AS METAL HATS OR Z
PURLINS, APPROPRIATELY SIZED
ARE ALSO ACCEPTABLE, AND
NECESSARY IN CASES WITH TILES
CUT TO AN EXPOSURE LESS THAN
APPROX 7"
(NOT BY LUDOWICI)

CONT. FLASHING WITH
POSITIVE SLOPE
DRAINAGE AWAY FROM
INSIDE OF THE BUILDING
(NOT BY LUDOWICI)

2 1/8" NOM. EXTERIOR WALL CONSTRUCTION
SYSTEM DEPTH (NOT BY LUDOWICI)

1 7/8" TILE 1/16" 3/16"

3" ± HEADLAP

11" ± TILE EXPOSURE

1/2" NOM.

EXTERIOR WALL FRAMING
(NOT BY LUDOWICI)

ADJACENT
CONSTRUCTION (NOT
BY LUDOWICI)

GENERAL NOTES:

- A. EXTERIOR WALL FRAMING MAY BE COLD-FORMED METAL FRAMING (AS SHOWN) OR WOOD STUD FRAMING.
- B. CONDITIONS OF CONSTRUCTION SHOULD BE CONSIDERED WHEN SELECTING SCREWABLE WALL SHEATHING.


LUDOWICI®

Trusted. Timeless. Terra Cotta.

4757 Tile Plant Road
New Lexington, Ohio 43764
Telephone: (800) 945-8453 Fax: (740) 342-0025
www.ludowici.com

SYSTEM: NeXclad Shingle 14

DETAIL #: 13s

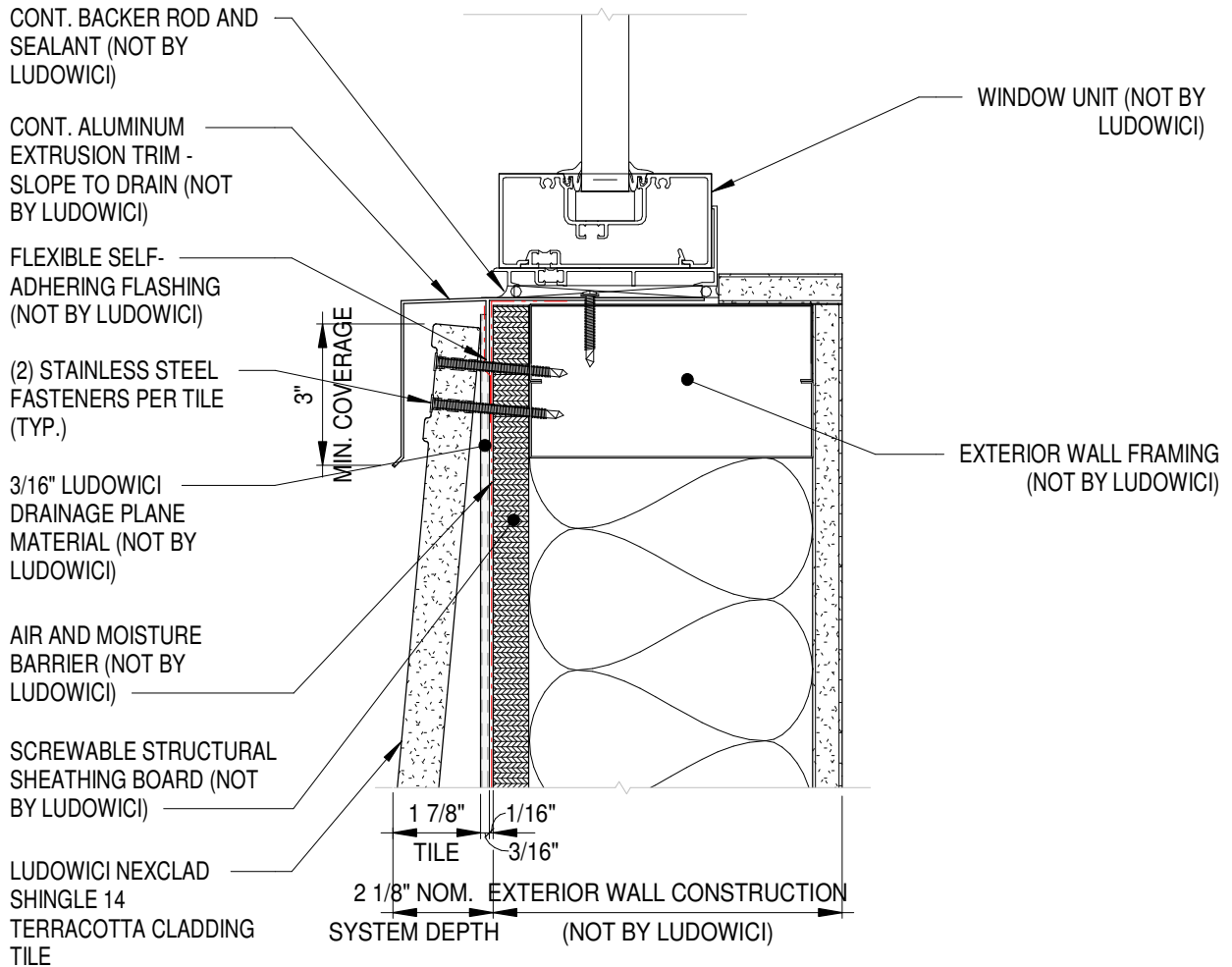
Description: BASE OF WALL SECTION DETAIL

Building Construction: Stud Wall Framing

Drawing Date: 04.23.2025

Scale: 3" = 1'-0"

Ludowici Reference #: NeXclad Shingle 14 13s Designer



GENERAL NOTES:

- A. EXTERIOR WALL FRAMING MAY BE COLD-FORMED METAL FRAMING (AS SHOWN) OR WOOD STUD FRAMING.
- B. CONDITIONS OF CONSTRUCTION SHOULD BE CONSIDERED WHEN SELECTING SCREWABLE WALL SHEATHING.



4757 Tile Plant Road
 New Lexington, Ohio 43764
 Telephone: (800) 945-8453 Fax: (740) 342-0025
 www.ludowici.com

SYSTEM:	NeXclad Shingle 14
DETAIL #:	14S
Description: WINDOW SILL SECTION	
Building Construction:	Stud Wall Framing
Drawing Date:	04.23.2025
Scale:	3" = 1'-0"
Ludowici Reference #:	NeXclad Shingle 14 14s Designer

EXTERIOR WALL FRAMING
(NOT BY LUDOWICI)

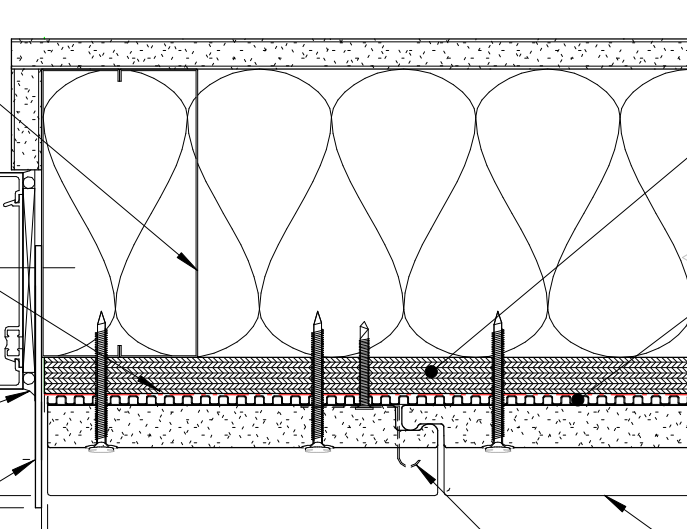
WINDOW UNIT (NOT BY
LUDOWICI)

AIR AND MOISTURE
BARRIER (NOT BY
LUDOWICI)

CONT. BACKER ROD AND
SEALANT (NOT BY
LUDOWICI)

CONT. ALUMINUM TRIM
(NOT BY LUDOWICI)

1/4"
NOM.
1/8"
NOM.



EXTERIOR WALL CONSTRUCTION
(NOT BY LUDOWICI)
SYSTEM DEPTH
2 1/8"

SCREWABLE
STRUCTURAL
SHEATHING BOARD
(NOT BY LUDOWICI)

3/16" LUDOWICI
DRAINAGE PLANE
MATERIAL

LUDOWICI NEXCLAD
SHINGLE 14
TERRACOTTA
CLADDING TILE

STAINLESS STEEL
SIDELOCK CLIP W/ (1)
STAINLESS STEEL
FASTENER BELOW

GENERAL NOTES:

- A. EXTERIOR WALL FRAMING MAY BE COLD-FORMED METAL FRAMING (AS SHOWN) OR WOOD STUD FRAMING.
- B. CONDITIONS OF CONSTRUCTION SHOULD BE CONSIDERED WHEN SELECTING SCREWABLE WALL SHEATHING.

LUDOWICI[®]

Trusted. Timeless. Terra Cotta.

4757 Tile Plant Road
New Lexington, Ohio 43764
Telephone: (800) 945-8453 Fax: (740) 342-0025
www.ludowici.com

SYSTEM: NeXclad Shingle 14

DETAIL #: 15s

Description: WINDOW JAMB PLAN DETAIL - METAL TRIM

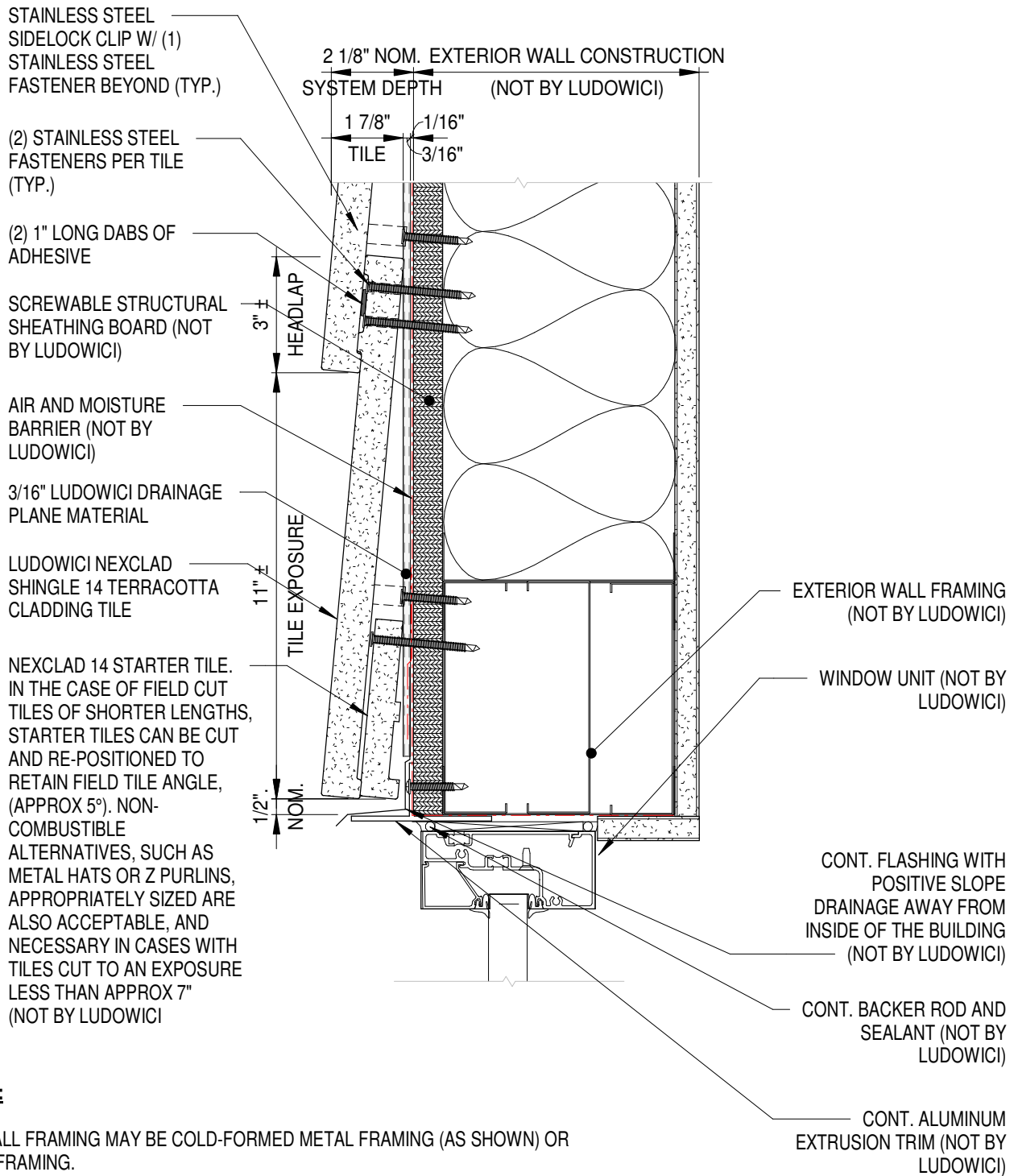
Building Construction: Stud Wall Framing

Drawing Date: 04.23.2025

Scale: 3" = 1'-0"

Ludowici Reference #: NeXclad Shingle 14 15s Designer

The information contained on this drawing is the property of Ludowici Roof Tile. Any use or reproduction in whole or in part without the express written permission of Ludowici Roof Tile is strictly prohibited. Ludowici Roof Tile, Inc. reserves the right to modify the configuration of item(s) shown without prior written notice.



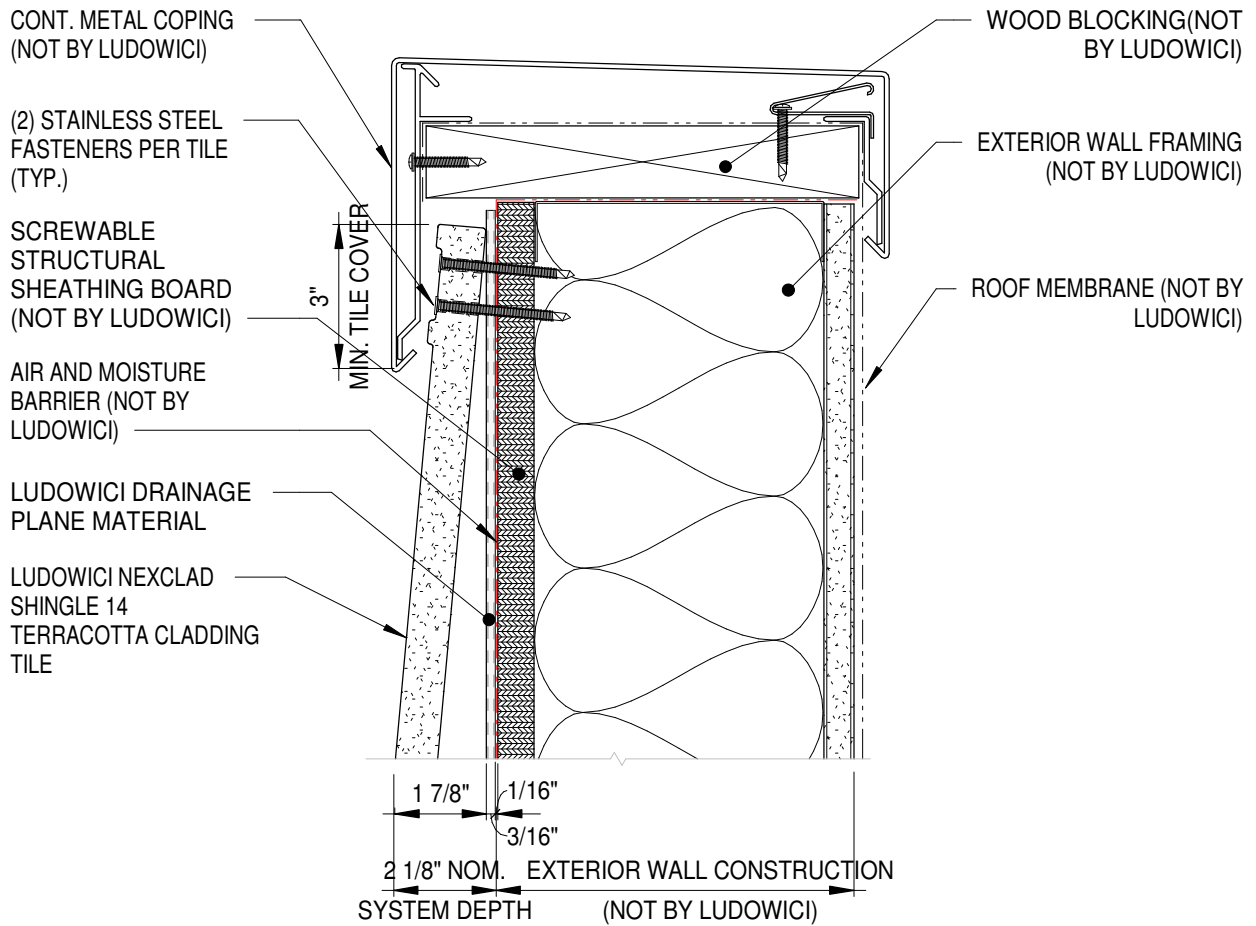
GENERAL NOTES:

- A. EXTERIOR WALL FRAMING MAY BE COLD-FORMED METAL FRAMING (AS SHOWN) OR WOOD STUD FRAMING.
- B. CONDITIONS OF CONSTRUCTION SHOULD BE CONSIDERED WHEN SELECTING SCREWABLE WALL SHEATHING.



4757 Tile Plant Road
 New Lexington, Ohio 43764
 Telephone: (800) 945-8453 Fax: (740) 342-0025
 www.ludowici.com

SYSTEM:	NeXclad Shingle 14
DETAIL #:	16s
Description: WINDOW HEAD SECTION	
Building Construction:	Stud Wall Framing
Drawing Date:	04.23.2025
Scale:	3" = 1'-0"
Ludowici Reference #:	NeXclad Shingle 14 16s Designer



GENERAL NOTES:

- A. EXTERIOR WALL FRAMING MAY BE COLD-FORMED METAL FRAMING (AS SHOWN) OR WOOD STUD FRAMING.
- B. CONDITIONS OF CONSTRUCTION SHOULD BE CONSIDERED WHEN SELECTING SCREWABLE WALL SHEATHING.


LUDOWICI®

Trusted. Timeless. Terra Cotta.

4757 Tile Plant Road
New Lexington, Ohio 43764
Telephone: (800) 945-8453 Fax: (740) 342-0025
www.ludowici.com

SYSTEM: NeXclad Shingle 14

DETAIL #: 17s

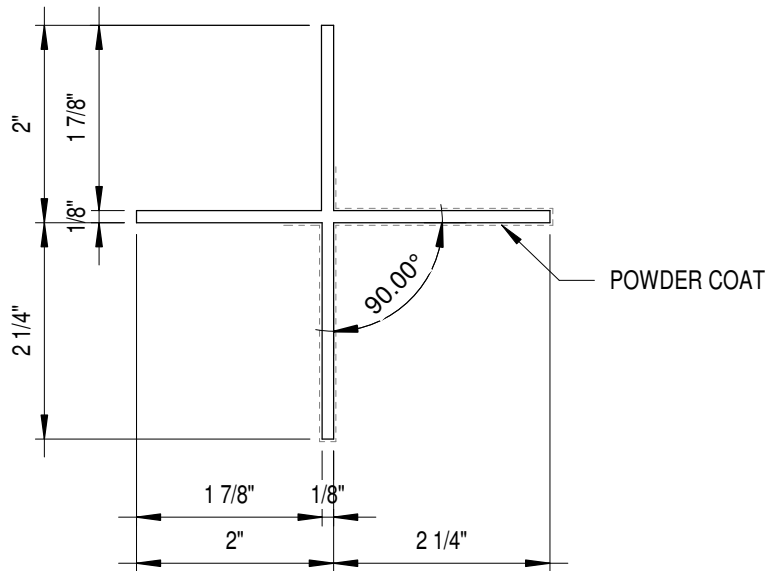
Description: PARAPET COPING SECTION

Building Construction: Stud Wall Framing

Drawing Date: 04.23.2025

Scale: 3" = 1'-0"

Ludowici Reference #: NeXclad Shingle 14 17s Designer

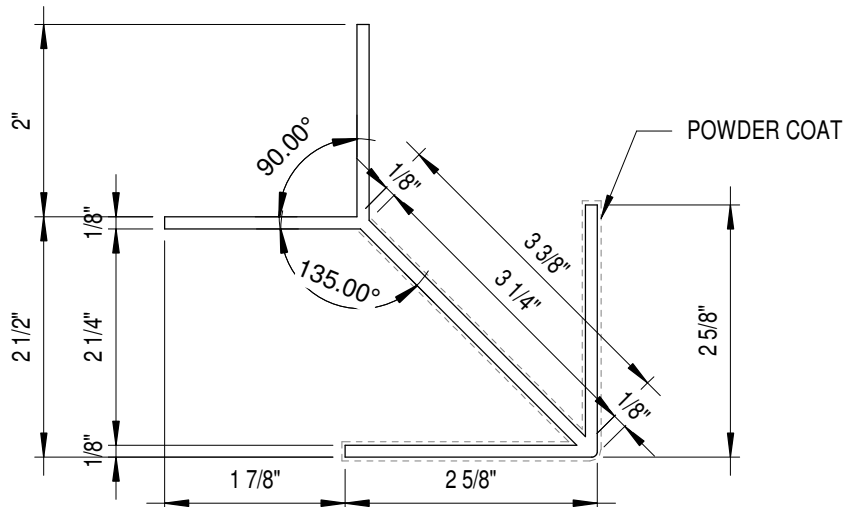



LUDOWICI[®]
Trusted. Timeless. Terra Cotta.

4757 Tile Plant Road
New Lexington, Ohio 43764
Telephone: (800) 945-8453 Fax: (740) 342-0025
www.ludowici.com

SYSTEM:	NEXCLAD 14 & 16
DETAIL #:	20.1
Description: RE-ENTRANT TRIM - FABRICATION DIMENSIONS	
Building Construction:	
Drawing Date:	09/03/24
Scale:	6" = 1'-0"
Ludowici Reference #:	NeXclad Shingle 16 20.1 Designer

The information contained on this drawing is the property of Ludowici Roof Tile. Any use or reproduction in whole or in part without the express written permission of Ludowici Roof Tile is strictly prohibited. Ludowici Roof Tile, Inc. reserves the right to modify the configuration of item(s) shown without prior written notice.

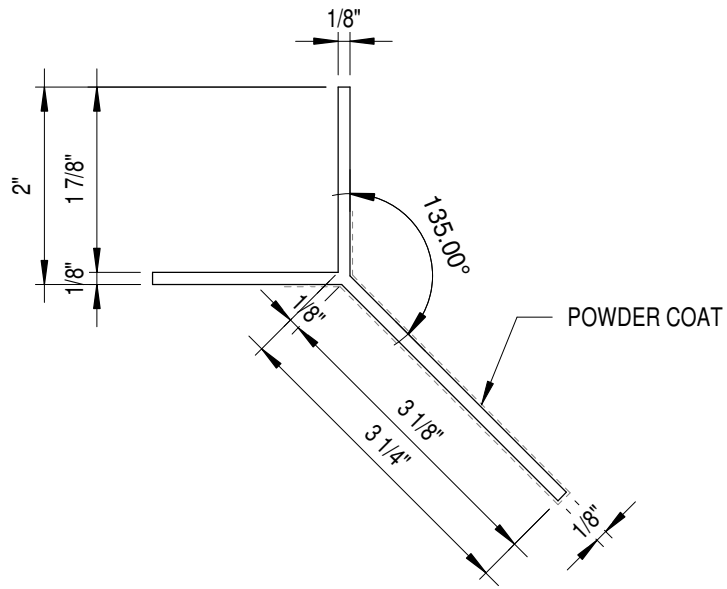



LUDOWICI[®]
Trusted. Timeless. Terra Cotta.

4757 Tile Plant Road
 New Lexington, Ohio 43764
 Telephone: (800) 945-8453 Fax: (740) 342-0025
www.ludowici.com

SYSTEM:	NEXCLAD 14 & 16
DETAIL #:	20.2
Description:	GREATER ARROW TRIM - FABRICATION DIMENSIONS
Building Construction:	
Drawing Date:	09/03/24
Scale:	6" = 1'-0"
Ludowici Reference #:	NeXclad Shingle 16 20.2 Designer

The information contained on this drawing is the property of Ludowici Roof Tile. Any use or reproduction in whole or in part without the express written permission of Ludowici Roof Tile is strictly prohibited. Ludowici Roof Tile, Inc. reserves the right to modify the configuration of item(s) shown without prior written notice.

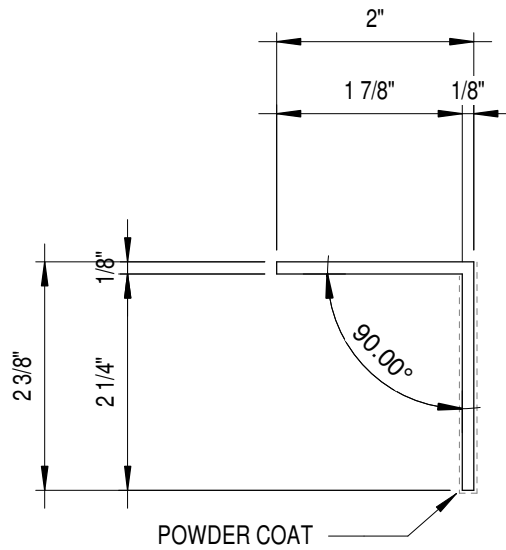



LUDOWICI[®]
Trusted. Timeless. Terra Cotta.

4757 Tile Plant Road
 New Lexington, Ohio 43764
 Telephone: (800) 945-8453 Fax: (740) 342-0025
www.ludowici.com

SYSTEM:	NEXCLAD 14 & 16
DETAIL #:	20.3
Description:	KNIFE TRIM - FABRICATION DIMENSIONS
Building Construction:	
Drawing Date:	09/03/24
Scale:	6" = 1'-0"
Ludowici Reference #:	NeXclad Shingle 16 20.3 Designer

The information contained on this drawing is the property of Ludowici Roof Tile. Any use or reproduction in whole or in part without the express written permission of Ludowici Roof Tile is strictly prohibited. Ludowici Roof Tile, Inc. reserves the right to modify the configuration of item(s) shown without prior written notice.



4757 Tile Plant Road
 New Lexington, Ohio 43764
 Telephone: (800) 945-8453 Fax: (740) 342-0025
 www.ludowici.com

SYSTEM:	NEXCLAD 14 & 16
DETAIL #:	20.4
Description: L TRIM - FABRICATION DIMENSIONS	
Building Construction:	
Drawing Date:	09/03/24
Scale:	6" = 1'-0"
Ludowici Reference #:	NeXclad Shingle 16 20.4 Designer

The information contained on this drawing is the property of Ludowici Roof Tile. Any use or reproduction in whole or in part without the express written permission of Ludowici Roof Tile is strictly prohibited. Ludowici Roof Tile, Inc. reserves the right to modify the configuration of item(s) shown without prior written notice.