

NEXCLAD 14

P R O T O T Y P I C A L   D E T A I L S



  
LUDOWICI®

PROTOTYPICAL DETAILS  
KEY

P A G E O N E O F T W O



PROTOTYPICAL DETAILS

KEY

PAGE TWO OF TWO



STAINLESS STEEL  
SIDELOCK CLIP W/ (1)  
STAINLESS STEEL  
FASTENER (TYP.)

LUDOWICI NEXCLAD  
SHINGLE 14 TERRACOTTA  
CLADDING TILE

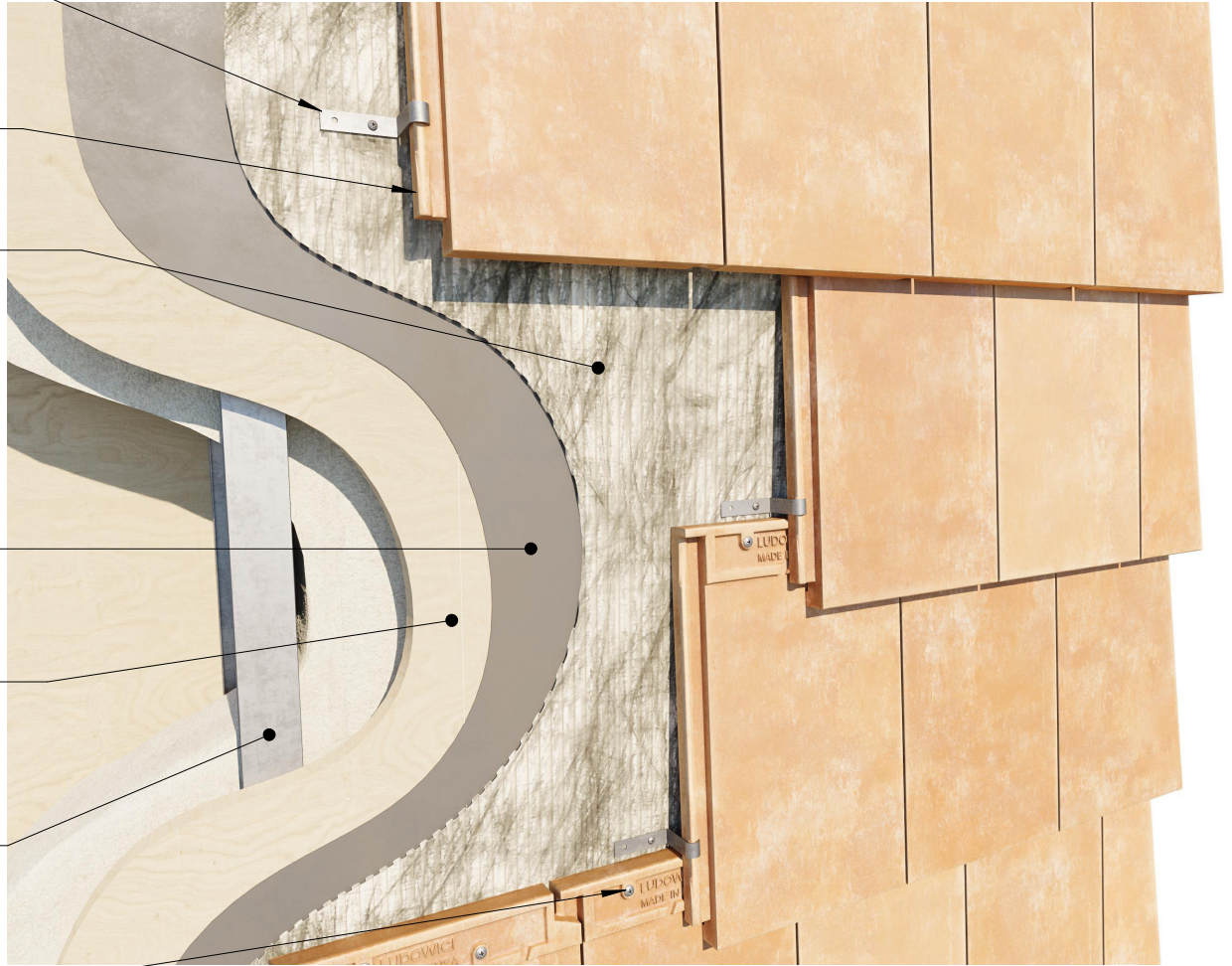
3/16" LUDOWICI  
DRAINAGE PLANE  
MATERIAL. NOTE:  
CORRUGATION OF THE  
DRAINAGE MAT TO FACE  
TOWARD THE INSIDE OF  
THE BUILDING, THE  
FLEECE LINER FACES  
THE OUTSIDE.

AIR AND MOISTURE  
BARRIER (NOT BY  
LUDOWICI)

SCREWABLE  
STRUCTURAL  
SHEATHING BOARD  
(NOT BY LUDOWICI)

EXTERIOR WALL  
FRAMING (NOT BY  
LUDOWICI)

(2) STAINLESS STEEL  
FASTENERS PER TILE  
(TYP.)



  
**LUDOWICI**<sup>®</sup>

*Trusted. Timeless. Terra Cotta.*

4757 Tile Plant Road  
New Lexington, Ohio 43764  
Telephone: (800) 945-8453 Fax: (740) 342-0025  
[www.ludowici.com](http://www.ludowici.com)

SYSTEM: NeXclad Shingle 14

DETAIL #: 0.3s

Description: SYSTEM COMPONENTS ISO

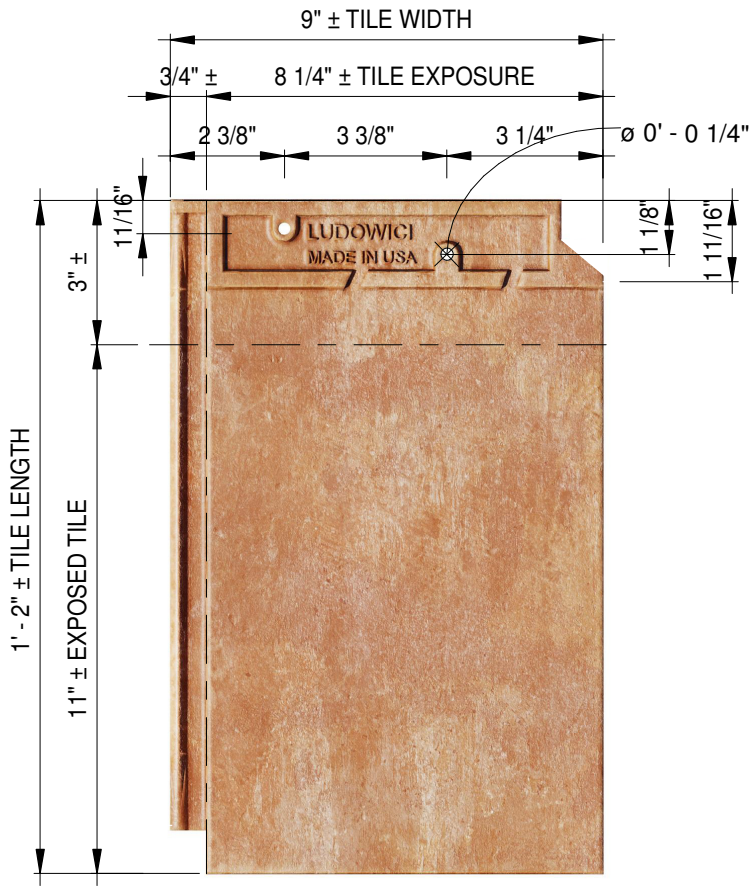
Building Construction: Stud Wall Framing

Drawing Date: 04.23.2025

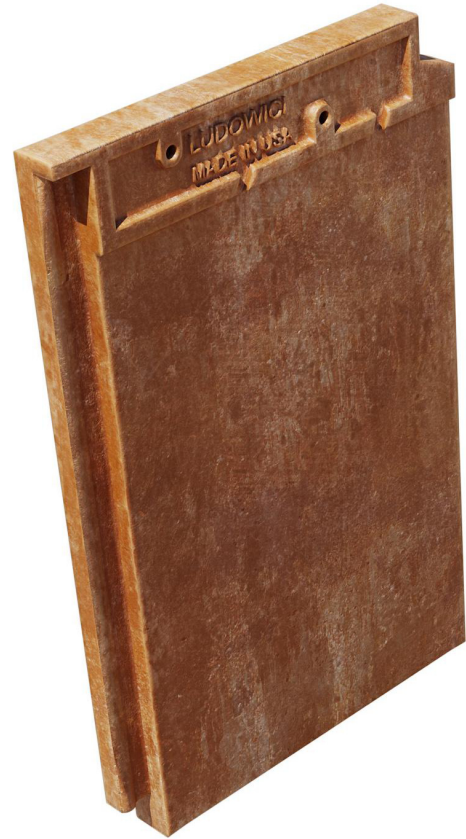
Scale: 3" = 1'-0"

Ludowici Reference #: NeXclad Shingle 14 0.3s Designer

The information contained on this drawing is the property of Ludowici Roof Tile. Any use or reproduction in whole or in part without the express written permission of Ludowici Roof Tile is strictly prohibited. Ludowici Roof Tile, Inc. reserves the right to modify the configuration of item(s) shown without prior written notice.



FRONT



ISO



TOP



RIGHT

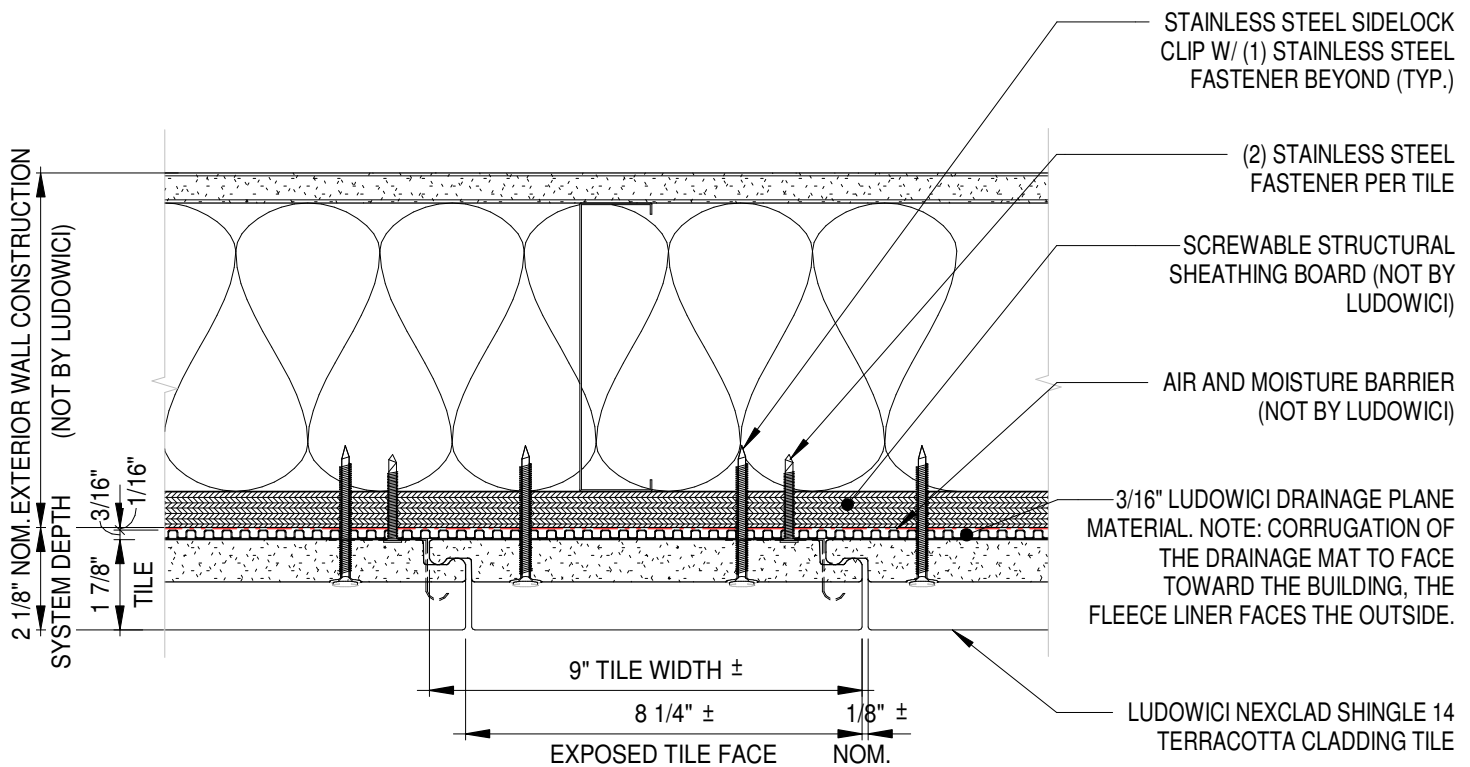
NOTE: CLAY TILE MANUFACTURING STANDARD C1167 ALLOWS FOR A +/-5% DIMENSIONAL DEVIATION FROM PUBLISHED STANDARDS



4757 Tile Plant Road  
 New Lexington, Ohio 43764  
 Telephone: (800) 945-8453 Fax: (740) 342-0025  
 www.ludowici.com

SYSTEM:	NeXclad Shingle 14
DETAIL #:	0.4
Description: FIELD TILE DIMENSIONS	
Building Construction:	
Drawing Date:	04.23.2025
Scale:	3" = 1'-0"
Ludowici Reference #:	NeXclad Shingle 14 0.4

The information contained on this drawing is the property of Ludowici Roof Tile. Any use or reproduction in whole or in part without the express written permission of Ludowici Roof Tile is strictly prohibited. Ludowici Roof Tile, Inc. reserves the right to modify the configuration of item(s) shown without prior written notice.



**GENERAL NOTES:**

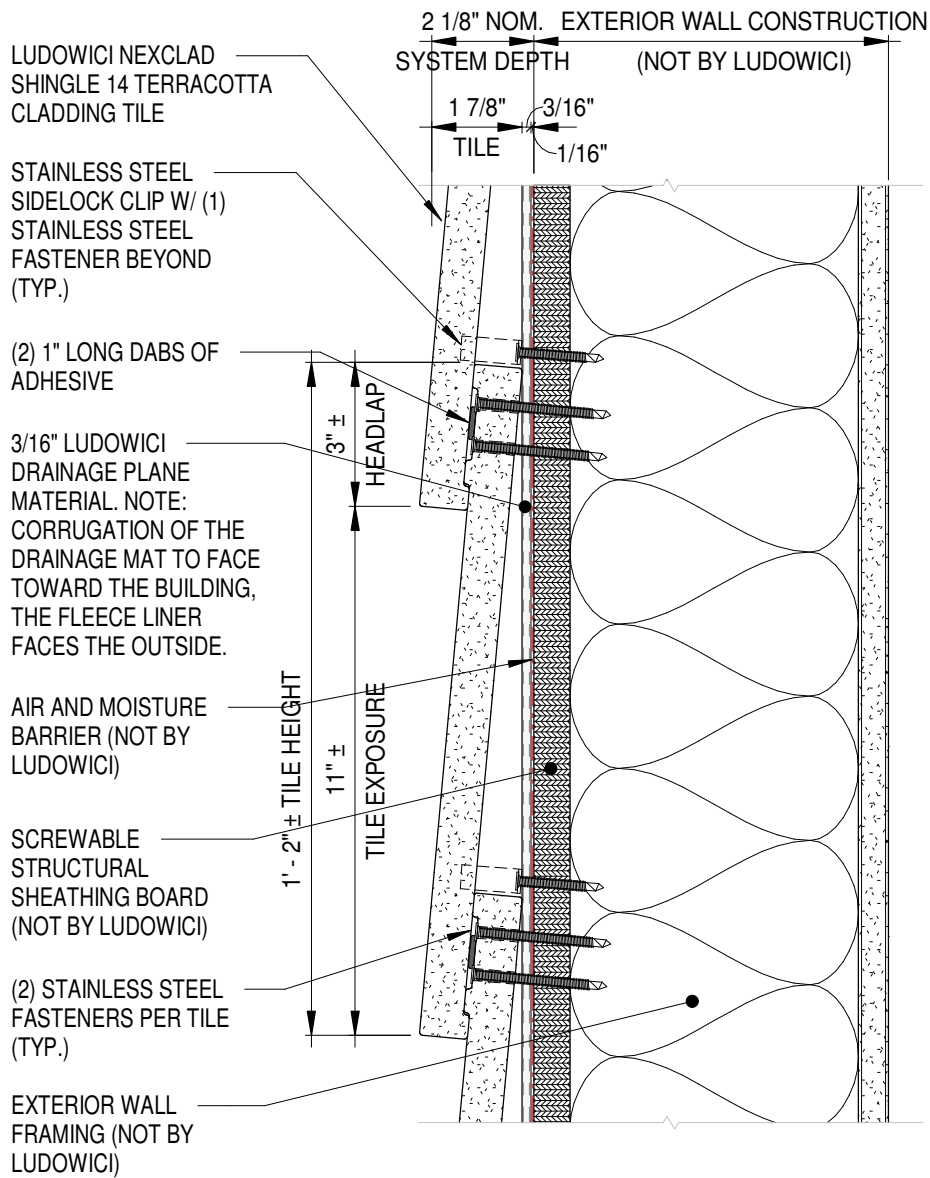
- A. EXTERIOR WALL FRAMING MAY BE COLD-FORMED METAL FRAMING (AS SHOWN) OR WOOD STUD FRAMING.
- B. CONDITIONS OF CONSTRUCTION SHOULD BE CONSIDERED WHEN SELECTING SCREWABLE WALL SHEATHING.

  
**LUDOWICI**<sup>®</sup>  
*Trusted. Timeless. Terra Cotta.*

**4757 Tile Plant Road**  
**New Lexington, Ohio 43764**  
**Telephone: (800) 945-8453 Fax: (740) 342-0025**  
**www.ludowici.com**

<b>SYSTEM:</b>	<b>NeXclad Shingle 14</b>
<b>DETAIL #:</b>	<b>1S</b>
Description: TYPICAL INSTALLATION PLAN	
Building Construction:	Stud Wall Framing
Drawing Date:	04.23.2025
Scale:	3" = 1'-0"
Ludowici Reference #:	NeXclad Shingle 14 1s Designer

The information contained on this drawing is the property of Ludowici Roof Tile. Any use or reproduction in whole or in part without the express written permission of Ludowici Roof Tile is strictly prohibited. Ludowici Roof Tile, Inc. reserves the right to modify the configuration of item(s) shown without prior written notice.



**GENERAL NOTES:**

- A. EXTERIOR WALL FRAMING MAY BE COLD-FORMED METAL FRAMING (AS SHOWN) OR WOOD STUD FRAMING.
- B. CONDITIONS OF CONSTRUCTION SHOULD BE CONSIDERED WHEN SELECTING SCREWABLE WALL SHEATHING.



4757 Tile Plant Road  
 New Lexington, Ohio 43764  
 Telephone: (800) 945-8453 Fax: (740) 342-0025  
 www.ludowici.com

SYSTEM:	NeXclad Shingle 14
DETAIL #:	2S
Description: TYPICAL INSTALLATION SECTION	
Building Construction:	Stud Wall Framing
Drawing Date:	04.23.2025
Scale:	3" = 1'-0"
Ludowici Reference #:	NeXclad Shingle 14 2s Designer




  
**LUDOWICI**<sup>®</sup>

*Trusted. Timeless. Terra Cotta.*

**4757 Tile Plant Road**  
**New Lexington, Ohio 43764**  
**Telephone: (800) 945-8453 Fax: (740) 342-0025**  
**www.ludowici.com**

**SYSTEM:** NeXclad Shingle 14

**DETAIL #:** 3axo

Description: EXTERNAL CORNER AXO - TWO-PIECE TILE - AXONOMETRIC

Building Construction:

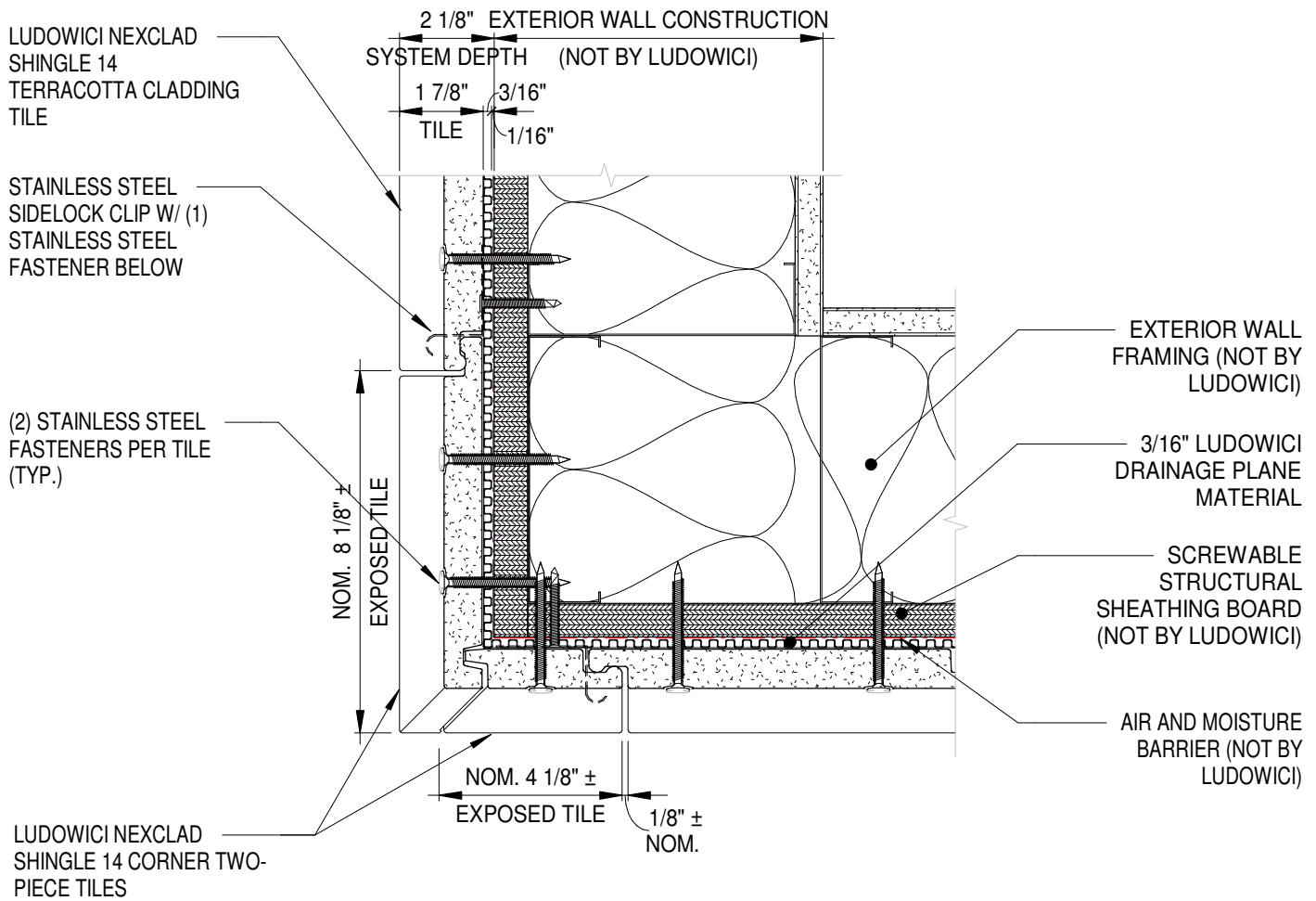
Drawing Date: 04.23.2025

Scale:

Ludowici Reference #: NeXclad Shingle 14 3axo Designer

The information contained on this drawing is the property of Ludowici Roof Tile. Any use or reproduction in whole or in part without the express written permission of Ludowici Roof Tile is strictly prohibited. Ludowici Roof Tile, Inc. reserves the right to modify the configuration of item(s) shown without prior written notice.

© Ludowici Roof Tile, Inc. All Rights Reserved



**GENERAL NOTES:**

- A. EXTERIOR WALL FRAMING MAY BE COLD-FORMED METAL FRAMING (AS SHOWN) OR WOOD STUD FRAMING.
- B. CONDITIONS OF CONSTRUCTION SHOULD BE CONSIDERED WHEN SELECTING SCREWABLE WALL SHEATHING.



4757 Tile Plant Road  
 New Lexington, Ohio 43764  
 Telephone: (800) 945-8453 Fax: (740) 342-0025  
 www.ludowici.com

SYSTEM:	NeXclad Shingle 14
DETAIL #:	3S
Description: EXTERNAL CORNER PLAN DETAIL - TWO-PIECE TILE	
Building Construction:	Stud Wall Framing
Drawing Date:	04.23.2025
Scale:	3" = 1'-0"
Ludowici Reference #:	NeXclad Shingle 14 3s Designer



  
**LUDOWICI**<sup>®</sup>  
*Trusted. Timeless. Terra Cotta.*

**4757 Tile Plant Road**  
**New Lexington, Ohio 43764**  
**Telephone: (800) 945-8453 Fax: (740) 342-0025**  
**www.ludowici.com**

**SYSTEM:** NeXclad Shingle 14

**DETAIL #:** 4axo

Description: EXTERNAL CORNER PLAN DETAIL - RE-ENTRANT  
AXONOMETRIC

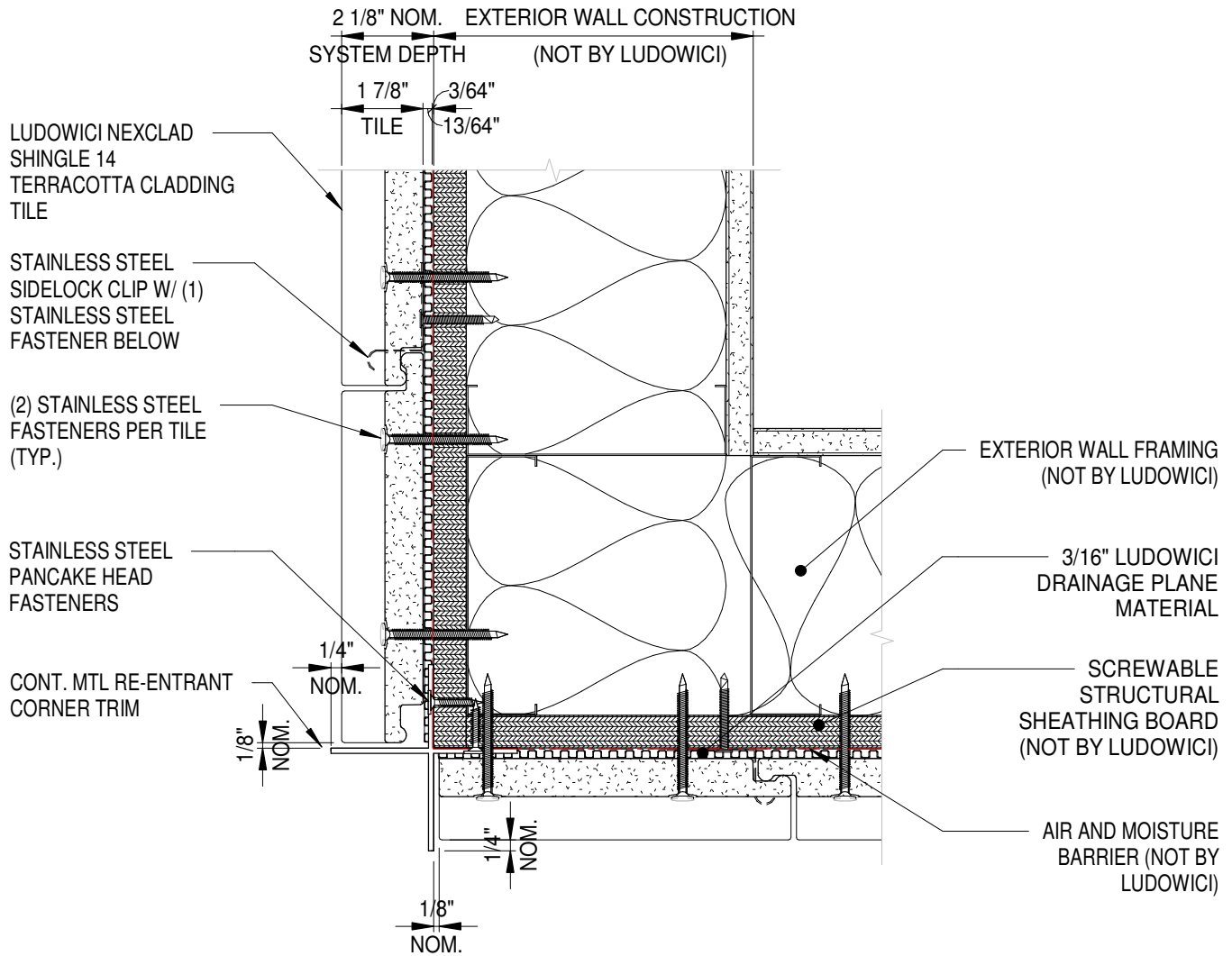
Building Construction: Stud Wall Framing

Drawing Date: 04.23.2025

Scale:

Ludowici Reference #: NeXclad Shingle 14 4axo Designer

The information contained on this drawing is the property of Ludowici Roof Tile. Any use or reproduction in whole or in part without the express written permission of Ludowici Roof Tile is strictly prohibited. Ludowici Roof Tile, Inc. reserves the right to modify the configuration of item(s) shown without prior written notice.



**GENERAL NOTES:**

- A. EXTERIOR WALL FRAMING MAY BE COLD-FORMED METAL FRAMING (AS SHOWN) OR WOOD STUD FRAMING.
- B. CONDITIONS OF CONSTRUCTION SHOULD BE CONSIDERED WHEN SELECTING SCREWABLE WALL SHEATHING.



4757 Tile Plant Road  
 New Lexington, Ohio 43764  
 Telephone: (800) 945-8453 Fax: (740) 342-0025  
 www.ludowici.com

SYSTEM:	NeXclad Shingle 14
DETAIL #:	4S
Description: EXTERNAL CORNER PLAN DETAIL - RE-ENTRANT	
Building Construction:	Stud Wall Framing
Drawing Date:	04.23.2025
Scale:	3" = 1'-0"
Ludowici Reference #:	NeXclad Shingle 14 4s Designer



  
**LUDOWICI**<sup>®</sup>  
*Trusted. Timeless. Terra Cotta.*

**4757 Tile Plant Road**  
**New Lexington, Ohio 43764**  
**Telephone: (800) 945-8453 Fax: (740) 342-0025**  
**www.ludowici.com**

**SYSTEM:** NeXclad Shingle 14

**DETAIL #:** 5axo

Description: EXTERNAL CORNER PLAN DETAIL - GREATER ARROW MTL TRIM - AXO

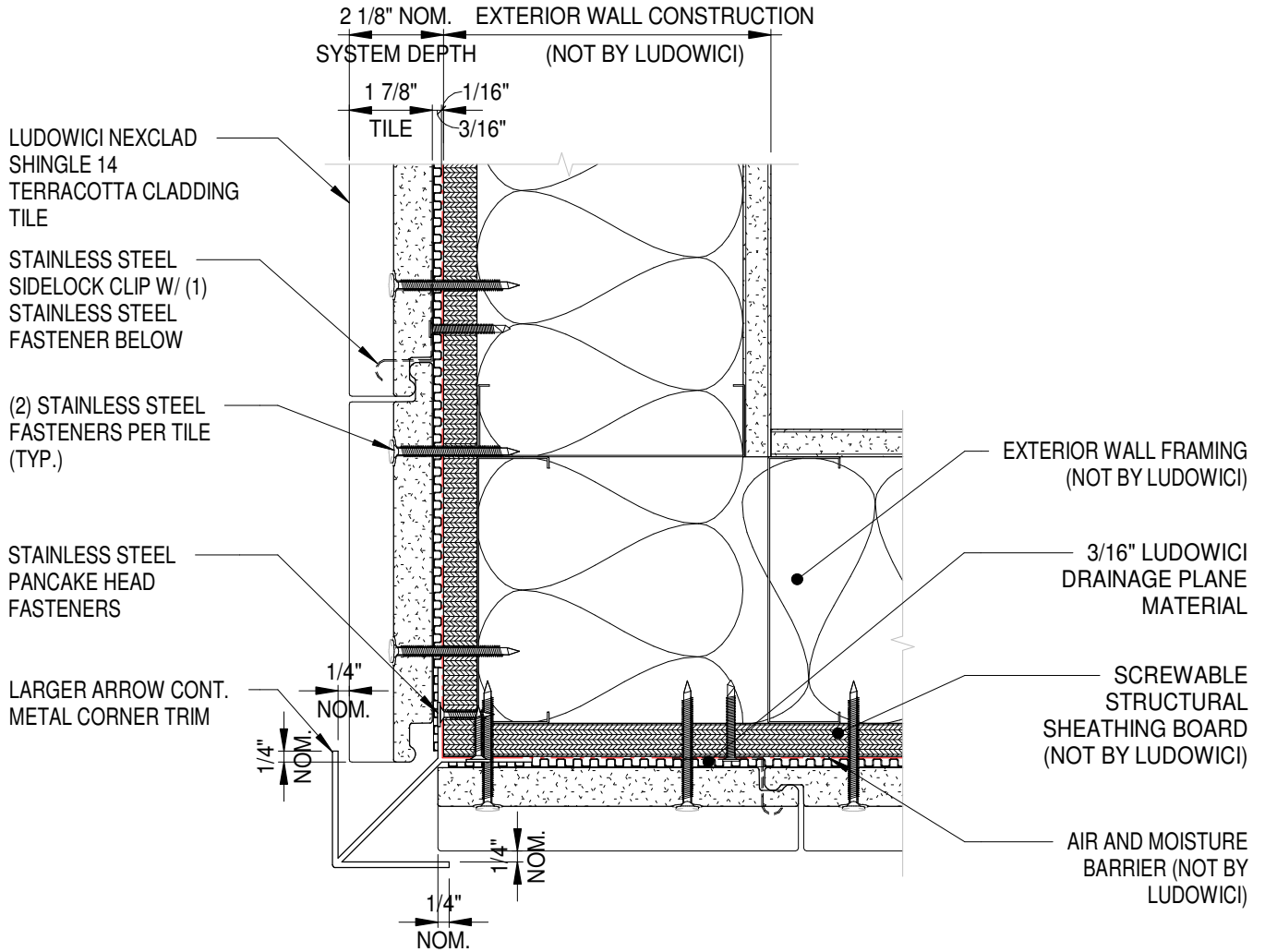
Building Construction: Stud Wall Framing

Drawing Date: 04.23.2025

Scale:

Ludowici Reference #: NeXclad Shingle 14 5axo Designer

The information contained on this drawing is the property of Ludowici Roof Tile. Any use or reproduction in whole or in part without the express written permission of Ludowici Roof Tile is strictly prohibited. Ludowici Roof Tile, Inc. reserves the right to modify the configuration of item(s) shown without prior written notice.



**GENERAL NOTES:**

- A. EXTERIOR WALL FRAMING MAY BE COLD-FORMED METAL FRAMING (AS SHOWN) OR WOOD STUD FRAMING.
- B. CONDITIONS OF CONSTRUCTION SHOULD BE CONSIDERED WHEN SELECTING SCREWABLE WALL SHEATHING.



4757 Tile Plant Road  
New Lexington, Ohio 43764  
Telephone: (800) 945-8453 Fax: (740) 342-0025  
www.ludowici.com

SYSTEM:	NeXclad Shingle 14
DETAIL #:	5s
Description:	EXTERNAL CORNER PLAN DETAIL - GREATER ARROW MTL CORNER TRIM
Building Construction:	Stud Wall Framing
Drawing Date:	04.23.2025
Scale:	3" = 1'-0"
Ludowici Reference #:	NeXclad Shingle 14 5s Designer




  
**LUDOWICI**<sup>®</sup>

*Trusted. Timeless. Terra Cotta.*

4757 Tile Plant Road  
 New Lexington, Ohio 43764  
 Telephone: (800) 945-8453 Fax: (740) 342-0025  
[www.ludowici.com](http://www.ludowici.com)

**SYSTEM:** NeXclad Shingle 14

**DETAIL #:** 7axo

Description: EXTERNAL CORNER PLAN DETAIL - KNIFE MTL CORNER TRIM - AXO

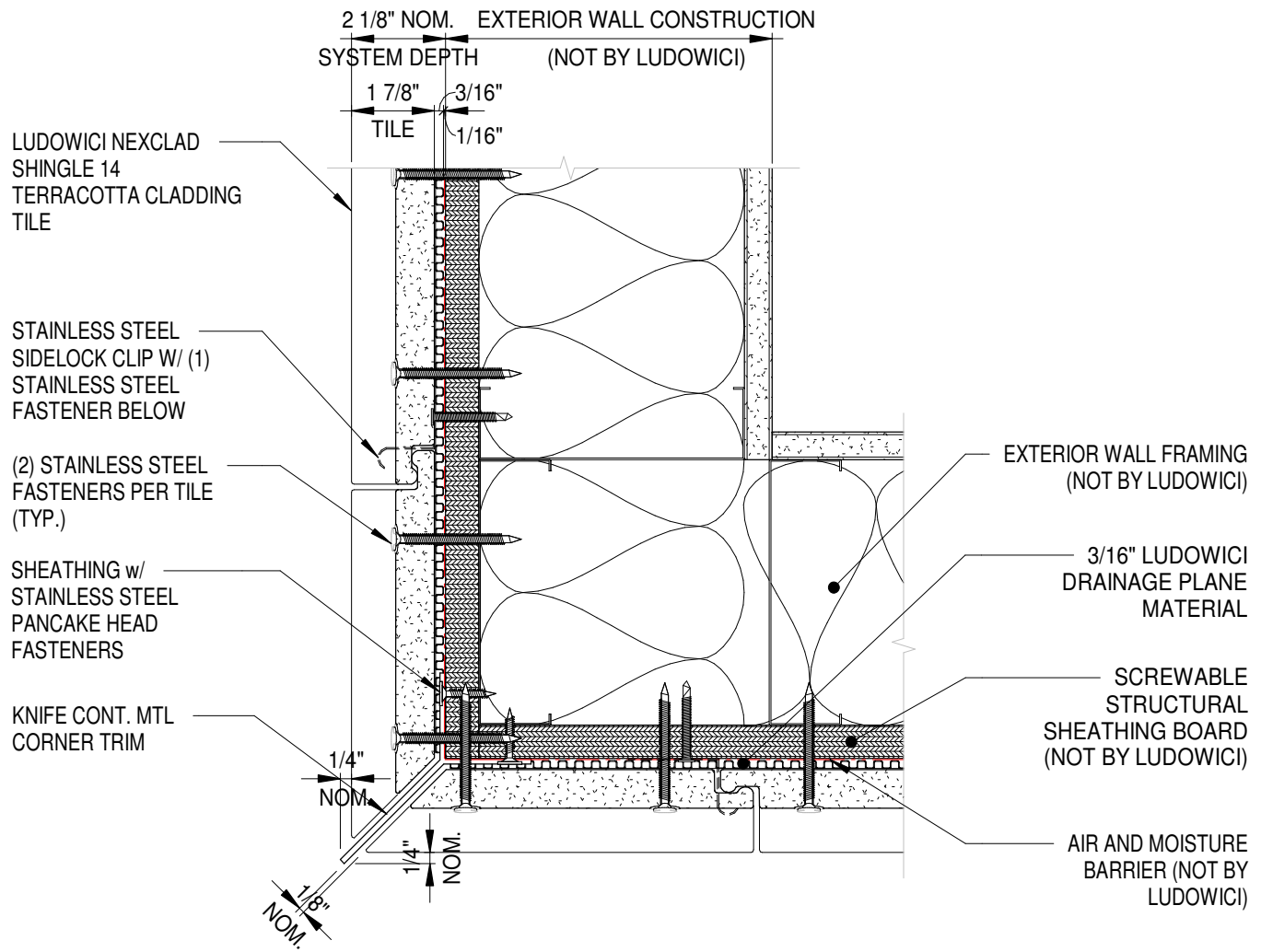
Building Construction: Stud Wall Framing

Drawing Date: 04.23.2025

Scale:

Ludowici Reference #: NeXclad Shingle 14 7axo Designer

The information contained on this drawing is the property of Ludowici Roof Tile. Any use or reproduction in whole or in part without the express written permission of Ludowici Roof Tile is strictly prohibited. Ludowici Roof Tile, Inc. reserves the right to modify the configuration of item(s) shown without prior written notice.



**GENERAL NOTES:**

- A. EXTERIOR WALL FRAMING MAY BE COLD-FORMED METAL FRAMING (AS SHOWN) OR WOOD STUD FRAMING.
- B. CONDITIONS OF CONSTRUCTION SHOULD BE CONSIDERED WHEN SELECTING SCREWABLE WALL SHEATHING.



4757 Tile Plant Road  
 New Lexington, Ohio 43764  
 Telephone: (800) 945-8453 Fax: (740) 342-0025  
 www.ludowici.com

SYSTEM:	NeXclad Shingle 14
DETAIL #:	7s
Description:	EXTERNAL CORNER PLAN DETAIL - KNIFE MTL CORNER TRIM
Building Construction:	Stud Wall Framing
Drawing Date:	04.23.2025
Scale:	3" = 1'-0"
Ludowici Reference #:	NeXclad Shingle 14 7s Designer




  
**LUDOWICI**<sup>®</sup>

*Trusted. Timeless. Terra Cotta.*

**4757 Tile Plant Road**  
**New Lexington, Ohio 43764**  
**Telephone: (800) 945-8453 Fax: (740) 342-0025**  
**www.ludowici.com**

**SYSTEM:** NeXclad Shingle 14

**DETAIL #:** 9axo

Description: EXTERNAL CORNER - FLUSH SHIPLAP CORNER TILE - AXO

Building Construction: Stud Wall Framing

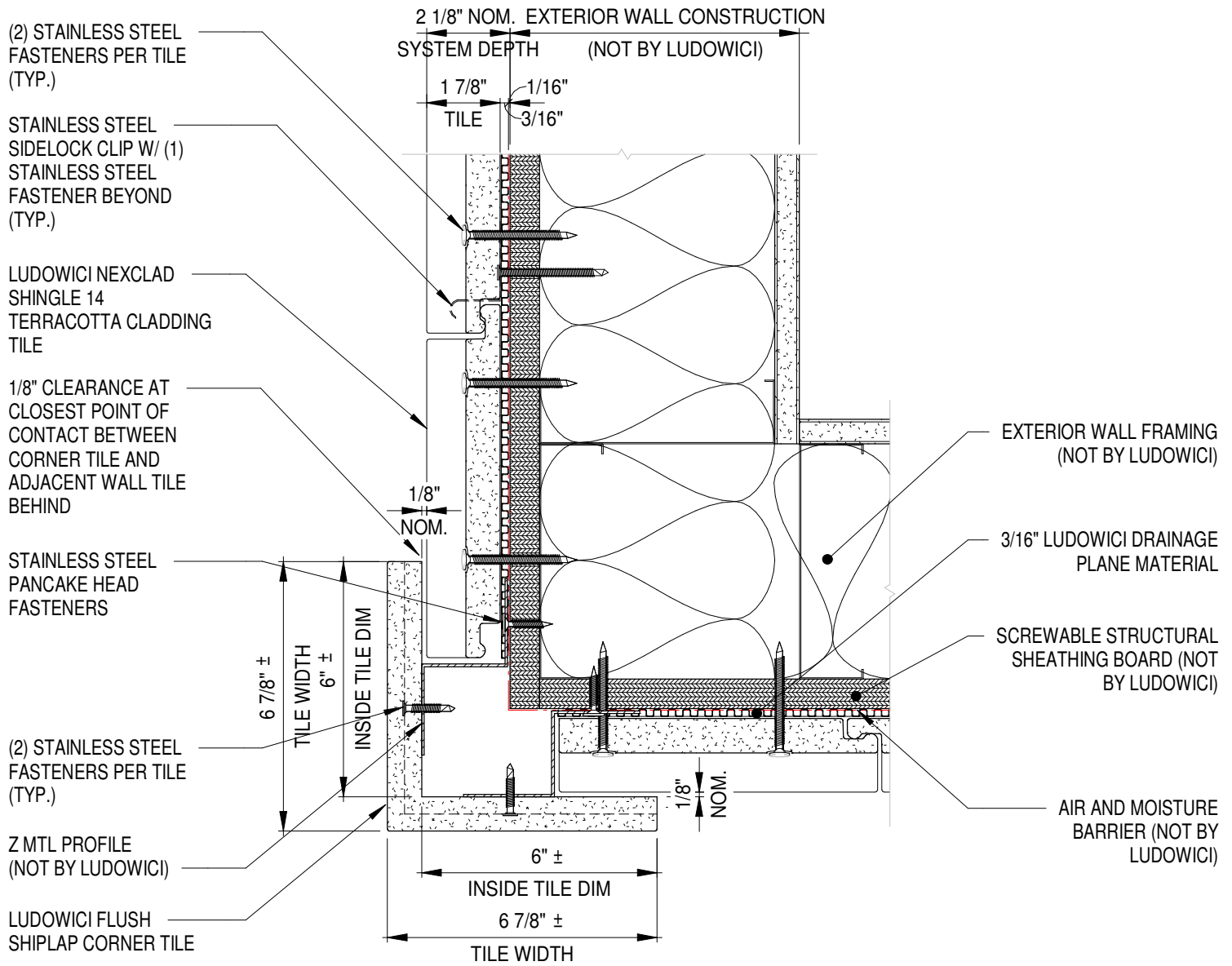
Drawing Date: 04.23.2025

Scale:

Ludowici Reference #: NeXclad Shingle 14 9axo Designer

The information contained on this drawing is the property of Ludowici Roof Tile. Any use or reproduction in whole or in part without the express written permission of Ludowici Roof Tile is strictly prohibited. Ludowici Roof Tile, Inc. reserves the right to modify the configuration of item(s) shown without prior written notice.

© Ludowici Roof Tile, Inc. All Rights Reserved



**GENERAL NOTES:**

- A. EXTERIOR WALL FRAMING MAY BE COLD-FORMED METAL FRAMING (AS SHOWN) OR WOOD STUD FRAMING.
- B. CONDITIONS OF CONSTRUCTION SHOULD BE CONSIDERED WHEN SELECTING SCREWABLE WALL SHEATHING.

**LUDOWICI**<sup>®</sup>

*Trusted. Timeless. Terra Cotta.*

4757 Tile Plant Road  
New Lexington, Ohio 43764  
Telephone: (800) 945-8453 Fax: (740) 342-0025  
www.ludowici.com

**SYSTEM:** NeXclad Shingle 14

**DETAIL #:** 9s

Description: EXTERNAL CORNER - FLUSH SHIPLAP CORNER TILE

Building Construction: Stud Wall Framing

Drawing Date: 04.23.2025

Scale: 3" = 1'-0"

Ludowici Reference #: NeXclad Shingle 14 9s Designer




  
**LUDOWICI**<sup>®</sup>

*Trusted. Timeless. Terra Cotta.*

4757 Tile Plant Road  
 New Lexington, Ohio 43764  
 Telephone: (800) 945-8453 Fax: (740) 342-0025  
[www.ludowici.com](http://www.ludowici.com)

**SYSTEM:** NeXclad Shingle 14

**DETAIL #:** 10axo

Description: EXTERNAL CORNER - 'V' CORNER TILE - AXO

Building Construction: Stud Wall Framing

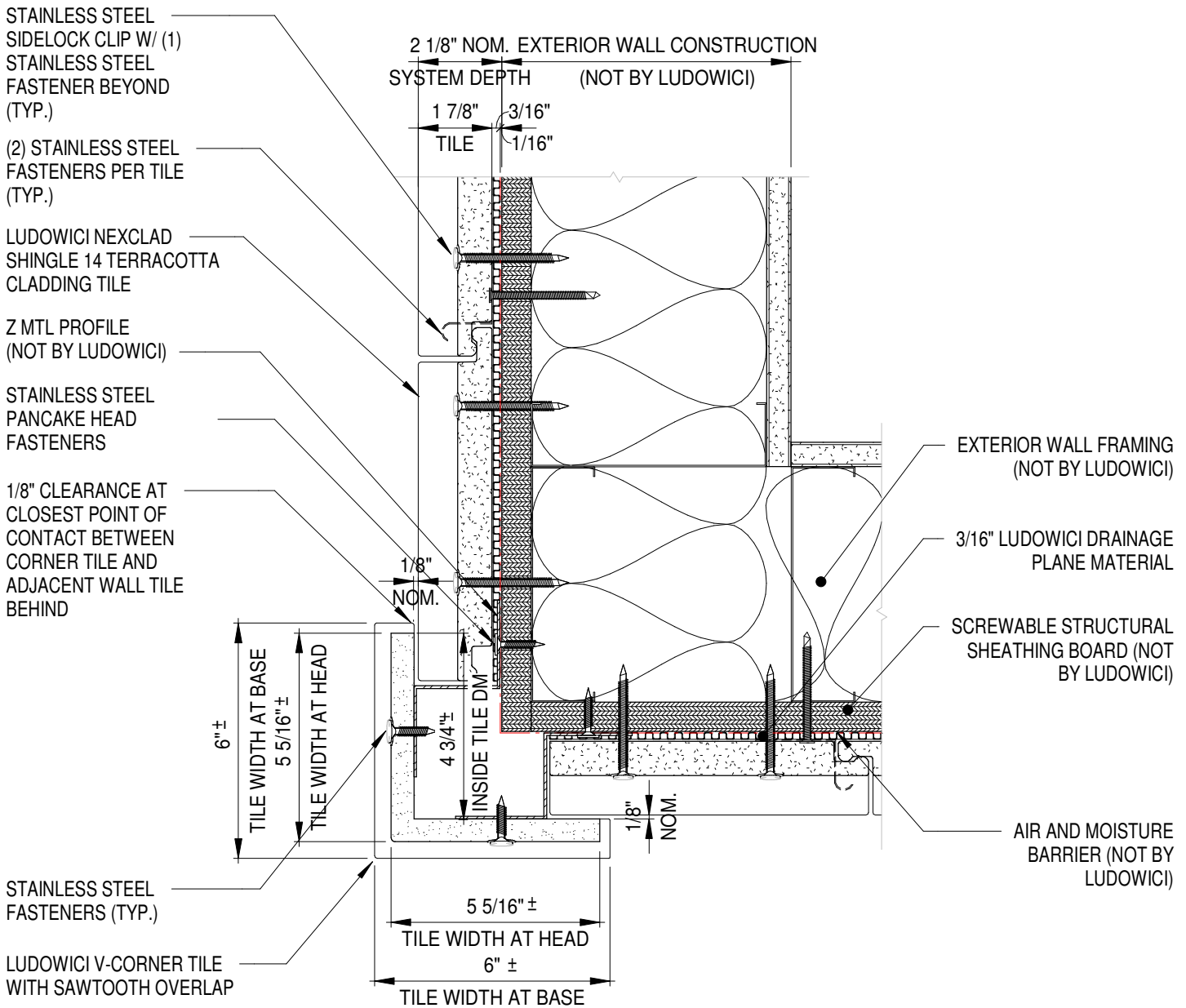
Drawing Date: 04.23.2025

Scale:

Ludowici Reference #: NeXclad Shingle 14 10axo Designer

The information contained on this drawing is the property of Ludowici Roof Tile. Any use or reproduction in whole or in part without the express written permission of Ludowici Roof Tile is strictly prohibited. Ludowici Roof Tile, Inc. reserves the right to modify the configuration of item(s) shown without prior written notice.

© Ludowici Roof Tile, Inc. All Rights Reserved



**GENERAL NOTES:**

- A. EXTERIOR WALL FRAMING MAY BE COLD-FORMED METAL FRAMING (AS SHOWN) OR WOOD STUD FRAMING.
- B. CONDITIONS OF CONSTRUCTION SHOULD BE CONSIDERED WHEN SELECTING SCREWABLE WALL SHEATHING.



4757 Tile Plant Road  
 New Lexington, Ohio 43764  
 Telephone: (800) 945-8453 Fax: (740) 342-0025  
 www.ludowici.com

**SYSTEM:** NeXclad Shingle 14

**DETAIL #:** 10S

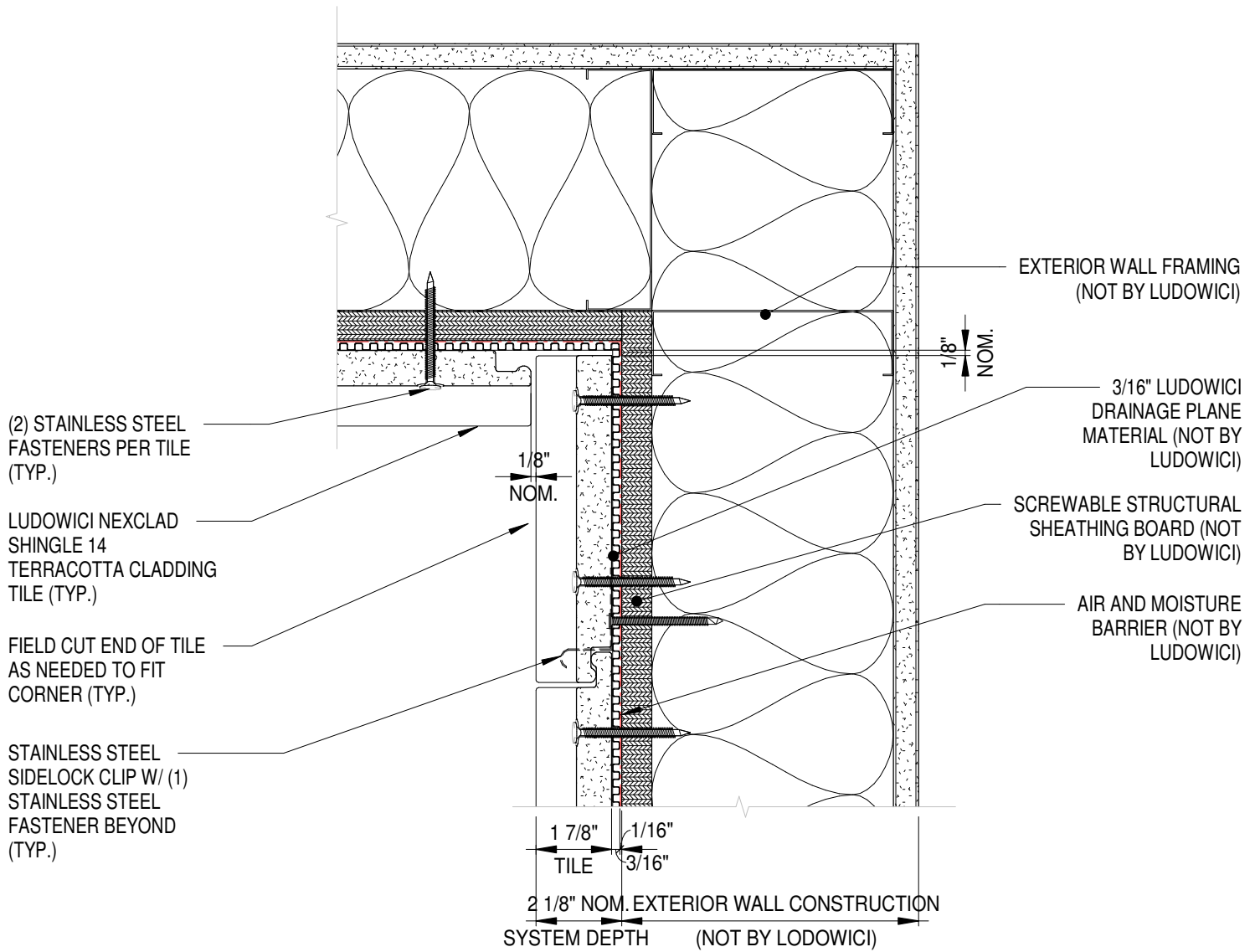
Description: EXTERNAL CORNER - 'V' CORNER TILE

Building Construction: Stud Wall Framing

Drawing Date: 04.23.2025

Scale: 3" = 1'-0"

Ludowici Reference #: NeXclad Shingle 14 10s Designer



**GENERAL NOTES:**

- A. EXTERIOR WALL FRAMING MAY BE COLD-FORMED METAL FRAMING (AS SHOWN) OR WOOD STUD FRAMING.
- B. CONDITIONS OF CONSTRUCTION SHOULD BE CONSIDERED WHEN SELECTING SCREWABLE WALL SHEATHING.



4757 Tile Plant Road  
 New Lexington, Ohio 43764  
 Telephone: (800) 945-8453 Fax: (740) 342-0025  
 www.ludowici.com

**SYSTEM:** NeXclad Shingle 14

**DETAIL #:** 11S

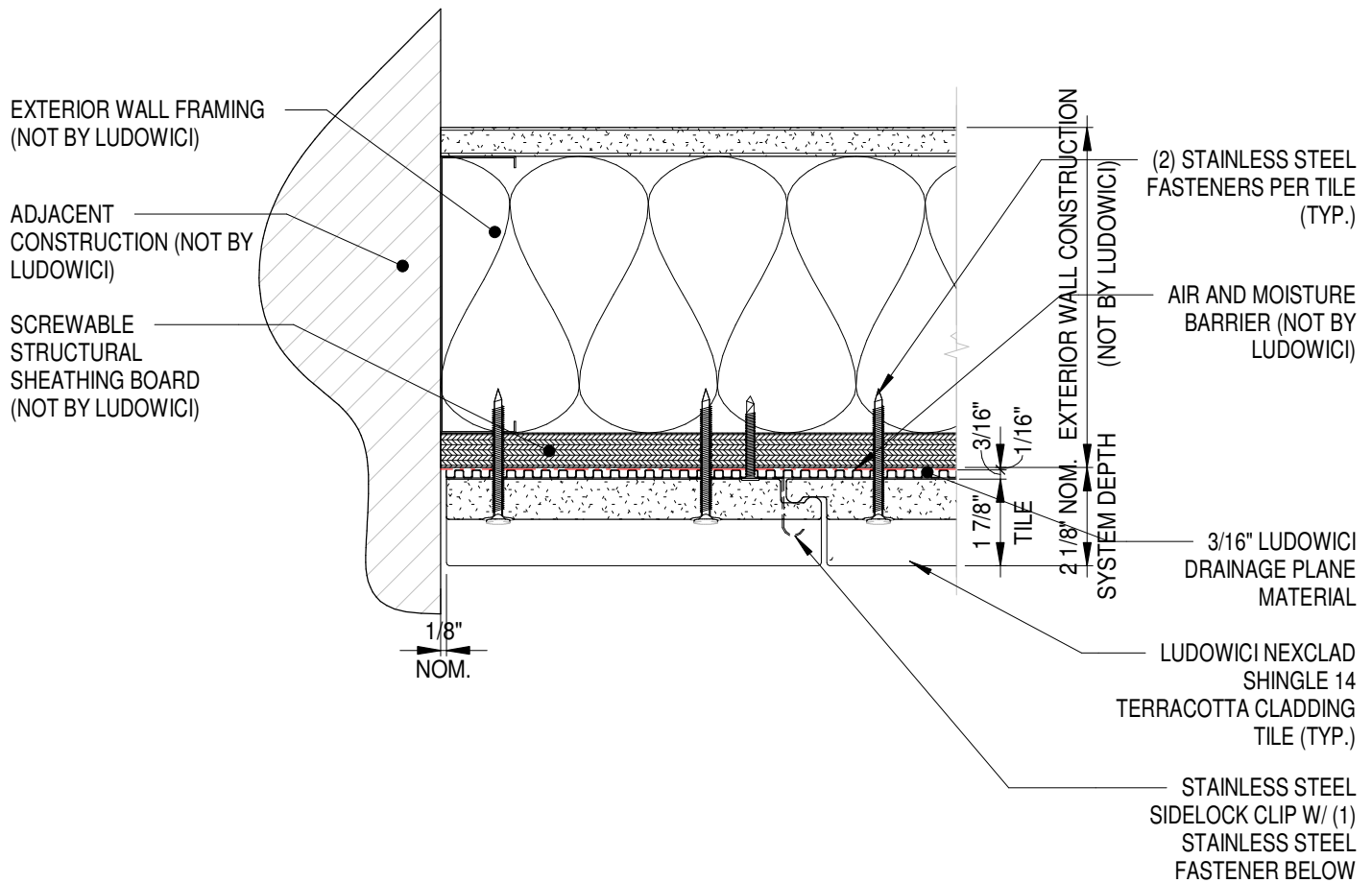
Description: INTERNAL CORNER PLAN DETAIL

Building Construction: Stud Wall Framing

Drawing Date: 04.23.2025

Scale: 3" = 1'-0"

Ludowici Reference #: NeXclad Shingle 14 11s Designer



**GENERAL NOTES:**

- A. EXTERIOR WALL FRAMING MAY BE COLD-FORMED METAL FRAMING (AS SHOWN) OR WOOD STUD FRAMING.
- B. CONDITIONS OF CONSTRUCTION SHOULD BE CONSIDERED WHEN SELECTING SCREWABLE WALL SHEATHING.



4757 Tile Plant Road  
 New Lexington, Ohio 43764  
 Telephone: (800) 945-8453 Fax: (740) 342-0025  
 www.ludowici.com

**SYSTEM:** NeXclad Shingle 14

**DETAIL #:** 12S

Description: WALL TERMINATION PLAN DETAIL

Building Construction: Stud Wall Framing

Drawing Date: 04.23.2025

Scale: 3" = 1'-0"

Ludowici Reference #: NeXclad Shingle 14 12S .

LUDOWICI NEXCLAD SHINGLE 14 TERRACOTTA CLADDING TILE

(2) STAINLESS STEEL FASTENERS PER TILE (TYP.)

(2) 1" LONG DABS OF ADHESIVE

3/16" LUDOWICI DRAINAGE PLANE MATERIAL

AIR AND MOISTURE BARRIER (NOT BY LUDOWICI)

SCREWABLE STRUCTURAL SHEATHING BOARD (NOT BY LUDOWICI)

STAINLESS STEEL SIDELOCK CLIP W/ (1) STAINLESS STEEL FASTENER BEYOND (TYP.)

**NOTE:** EXPOSURE REQUIRED FOR FIRST COURSE COULD BE LESS THAN SHOWN DEPENDING ON DESIRED COURSEING NEEDED ABOVE IN WALL LAYOUT/DESIGN

NEXCLAD 14 STARTER TILE. IN THE CASE OF FIELD CUT TILES OF SHORTER LENGTHS, STARTER TILES CAN BE CUT AND RE-POSITIONED TO RETAIN FIELD TILE ANGLE, (APPROX 5°). NON-COMBUSTIBLE ALTERNATIVES, SUCH AS METAL HATS OR Z PURLINS, APPROPRIATELY SIZED ARE ALSO ACCEPTABLE, AND NECESSARY IN CASES WITH TILES CUT TO AN EXPOSURE LESS THAN APPROX 7" (NOT BY LUDOWICI)

CONT. FLASHING WITH POSITIVE SLOPE DRAINAGE AWAY FROM INSIDE OF THE BUILDING (NOT BY LUDOWICI)

2 1/8" NOM. EXTERIOR WALL CONSTRUCTION SYSTEM DEPTH (NOT BY LUDOWICI)

1 7/8" TILE 1/16" 3/16"

3" ± HEADLAP

11" ± TILE EXPOSURE

1/2" NOM.

EXTERIOR WALL FRAMING (NOT BY LUDOWICI)

ADJACENT CONSTRUCTION (NOT BY LUDOWICI)

**GENERAL NOTES:**

- A. EXTERIOR WALL FRAMING MAY BE COLD-FORMED METAL FRAMING (AS SHOWN) OR WOOD STUD FRAMING.
- B. CONDITIONS OF CONSTRUCTION SHOULD BE CONSIDERED WHEN SELECTING SCREWABLE WALL SHEATHING.



4757 Tile Plant Road  
 New Lexington, Ohio 43764  
 Telephone: (800) 945-8453 Fax: (740) 342-0025  
 www.ludowici.com

**SYSTEM:** NeXclad Shingle 14

**DETAIL #:** 13s

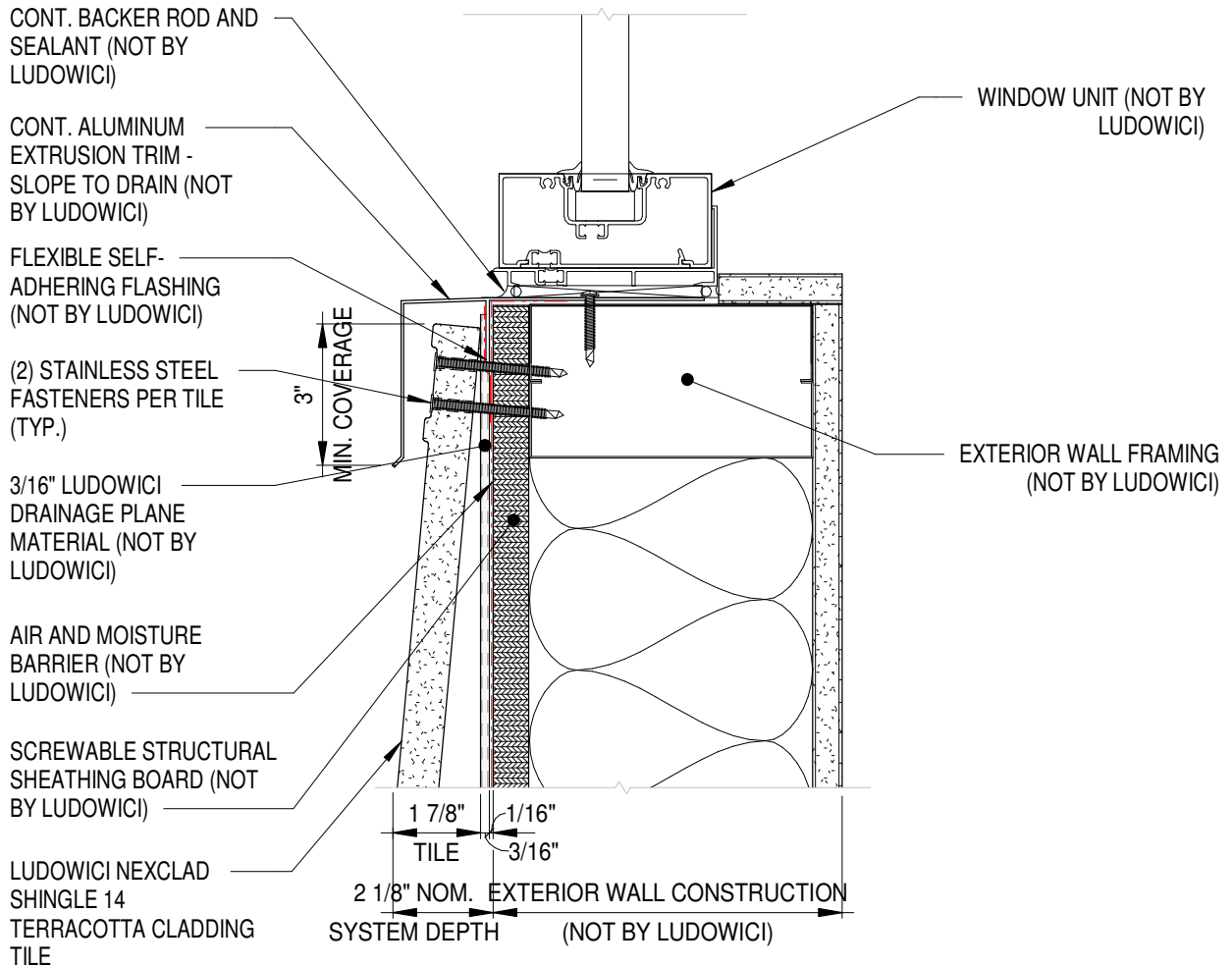
Description: BASE OF WALL SECTION DETAIL

Building Construction: Stud Wall Framing

Drawing Date: 04.23.2025

Scale: 3" = 1'-0"

Ludowici Reference #: NeXclad Shingle 14 13s Designer



**GENERAL NOTES:**

- A. EXTERIOR WALL FRAMING MAY BE COLD-FORMED METAL FRAMING (AS SHOWN) OR WOOD STUD FRAMING.
- B. CONDITIONS OF CONSTRUCTION SHOULD BE CONSIDERED WHEN SELECTING SCREWABLE WALL SHEATHING.



4757 Tile Plant Road  
 New Lexington, Ohio 43764  
 Telephone: (800) 945-8453 Fax: (740) 342-0025  
 www.ludowici.com

SYSTEM:	NeXclad Shingle 14
DETAIL #:	14S
Description: WINDOW SILL SECTION	
Building Construction:	Stud Wall Framing
Drawing Date:	04.23.2025
Scale:	3" = 1'-0"
Ludowici Reference #:	NeXclad Shingle 14 14s Designer

EXTERIOR WALL FRAMING  
(NOT BY LUDOWICI)

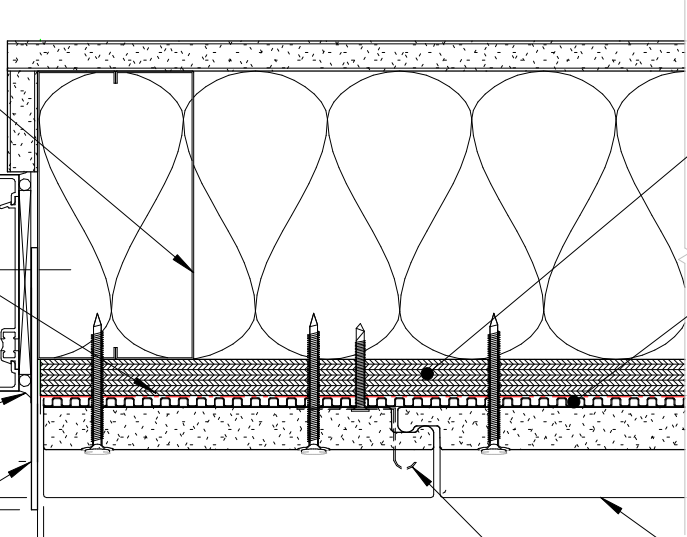
WINDOW UNIT (NOT BY  
LUDOWICI)

AIR AND MOISTURE  
BARRIER (NOT BY  
LUDOWICI)

CONT. BACKER ROD AND  
SEALANT (NOT BY  
LUDOWICI)

CONT. ALUMINUM TRIM  
(NOT BY LUDOWICI)

1/4"  
NOM.  
1/8"  
NOM.



EXTERIOR WALL CONSTRUCTION  
(NOT BY LUDOWICI)  
SYSTEM DEPTH  
2 1/8"

SCREWABLE  
STRUCTURAL  
SHEATHING BOARD  
(NOT BY LUDOWICI)

3/16" LUDOWICI  
DRAINAGE PLANE  
MATERIAL

LUDOWICI NEXCLAD  
SHINGLE 14  
TERRACOTTA  
CLADDING TILE

STAINLESS STEEL  
SIDELOCK CLIP W/ (1)  
STAINLESS STEEL  
FASTENER BELOW

**GENERAL NOTES:**

- A. EXTERIOR WALL FRAMING MAY BE COLD-FORMED METAL FRAMING (AS SHOWN) OR WOOD STUD FRAMING.
- B. CONDITIONS OF CONSTRUCTION SHOULD BE CONSIDERED WHEN SELECTING SCREWABLE WALL SHEATHING.



4757 Tile Plant Road  
New Lexington, Ohio 43764  
Telephone: (800) 945-8453 Fax: (740) 342-0025  
www.ludowici.com

SYSTEM: NeXclad Shingle 14

DETAIL #: 15s

Description: WINDOW JAMB PLAN DETAIL - METAL TRIM

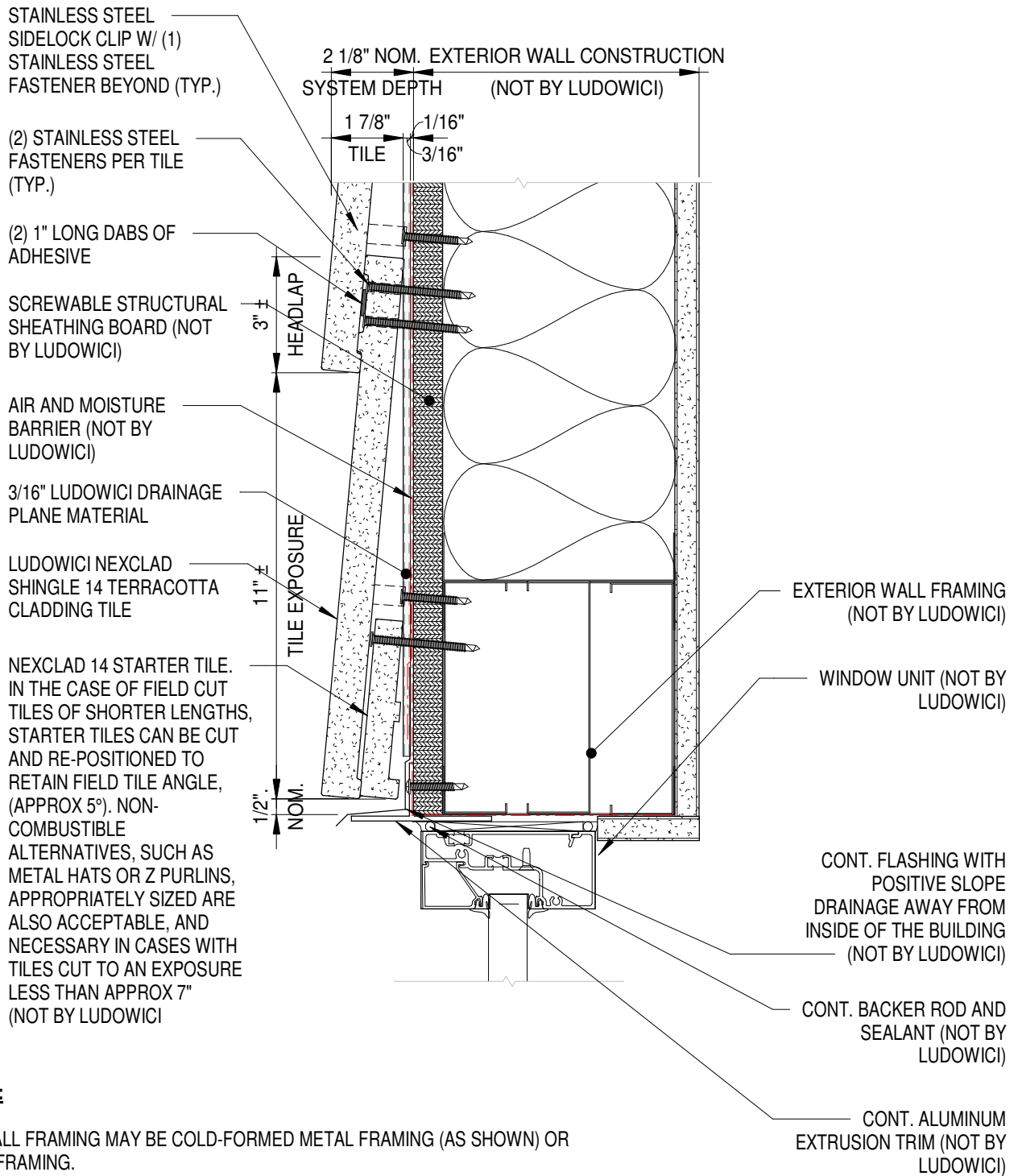
Building Construction: Stud Wall Framing

Drawing Date: 04.23.2025

Scale: 3" = 1'-0"

Ludowici Reference #: NeXclad Shingle 14 15s Designer

The information contained on this drawing is the property of Ludowici Roof Tile. Any use or reproduction in whole or in part without the express written permission of Ludowici Roof Tile is strictly prohibited. Ludowici Roof Tile, Inc. reserves the right to modify the configuration of item(s) shown without prior written notice.



**GENERAL NOTES:**

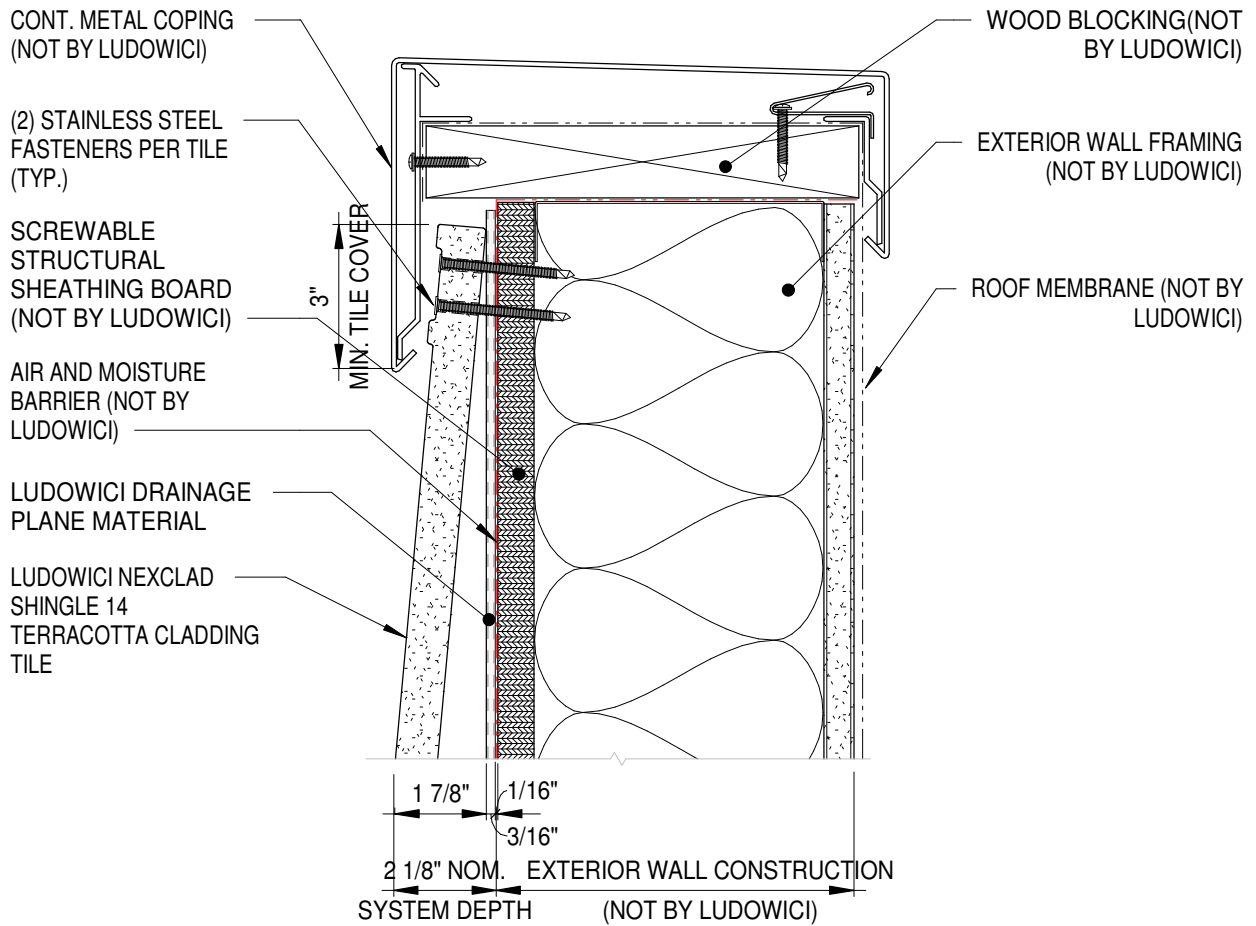
- A. EXTERIOR WALL FRAMING MAY BE COLD-FORMED METAL FRAMING (AS SHOWN) OR WOOD STUD FRAMING.
- B. CONDITIONS OF CONSTRUCTION SHOULD BE CONSIDERED WHEN SELECTING SCREWABLE WALL SHEATHING.

**LUDOWICI**<sup>®</sup>

*Trusted. Timeless. Terra Cotta.*

4757 Tile Plant Road  
 New Lexington, Ohio 43764  
 Telephone: (800) 945-8453 Fax: (740) 342-0025  
 www.ludowici.com

SYSTEM:	NeXclad Shingle 14
DETAIL #:	16s
Description: WINDOW HEAD SECTION	
Building Construction:	Stud Wall Framing
Drawing Date:	04.23.2025
Scale:	3" = 1'-0"
Ludowici Reference #:	NeXclad Shingle 14 16s Designer



**GENERAL NOTES:**

- A. EXTERIOR WALL FRAMING MAY BE COLD-FORMED METAL FRAMING (AS SHOWN) OR WOOD STUD FRAMING.
- B. CONDITIONS OF CONSTRUCTION SHOULD BE CONSIDERED WHEN SELECTING SCREWABLE WALL SHEATHING.

  
**LUDOWICI®**

*Trusted. Timeless. Terra Cotta.*

**4757 Tile Plant Road**  
**New Lexington, Ohio 43764**  
**Telephone: (800) 945-8453 Fax: (740) 342-0025**  
**www.ludowici.com**

**SYSTEM:** NeXclad Shingle 14

**DETAIL #:** 17s

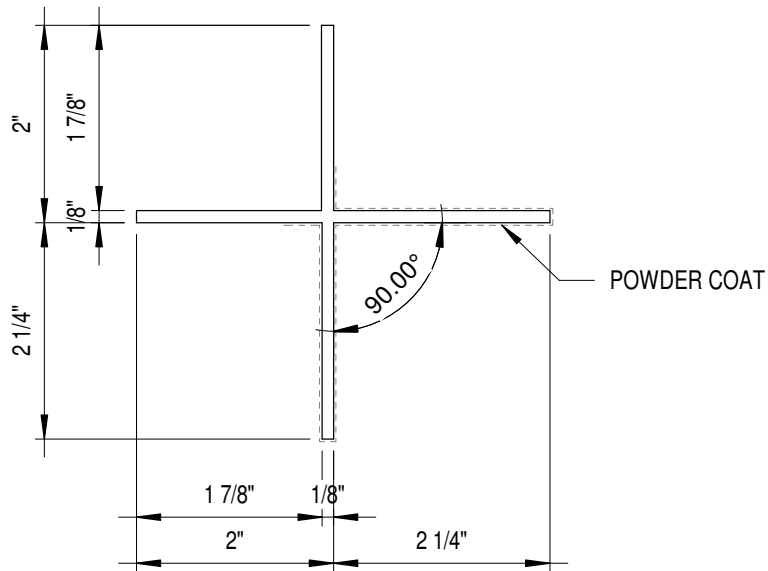
Description: PARAPET COPING SECTION

Building Construction: Stud Wall Framing

Drawing Date: 04.23.2025

Scale: 3" = 1'-0"

Ludowici Reference #: NeXclad Shingle 14 17s Designer

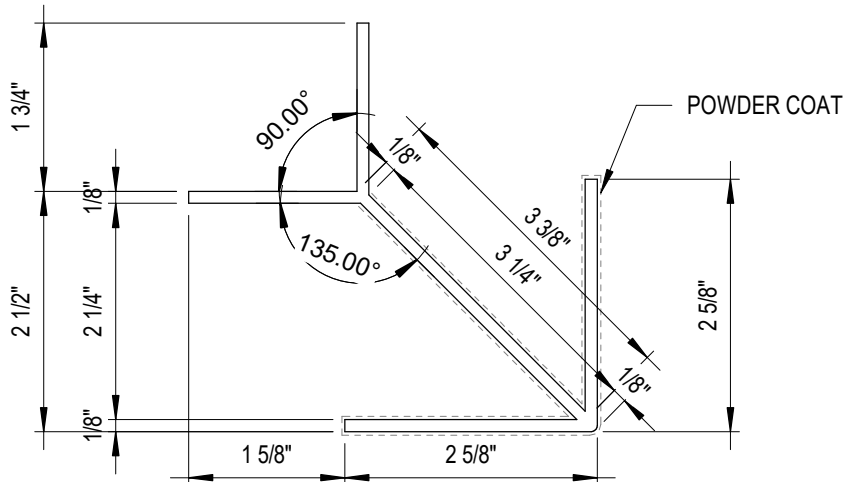


  
**LUDOWICI**<sup>®</sup>  
*Trusted. Timeless. Terra Cotta.*

**4757 Tile Plant Road**  
**New Lexington, Ohio 43764**  
**Telephone: (800) 945-8453 Fax: (740) 342-0025**  
**www.ludowici.com**

<b>SYSTEM:</b>	<b>NEXCLAD 14 &amp; 16</b>
<b>DETAIL #:</b>	<b>20.1</b>
<b>Description: RE-ENTRANT TRIM - FABRICATION DIMENSIONS</b>	
<b>Building Construction:</b>	
<b>Drawing Date:</b>	<b>09/03/24</b>
<b>Scale:</b>	<b>6" = 1'-0"</b>
<b>Ludowici Reference #:</b>	<b>NeXclad Shingle 16 20.1 Designer</b>

The information contained on this drawing is the property of Ludowici Roof Tile. Any use or reproduction in whole or in part without the express written permission of Ludowici Roof Tile is strictly prohibited. Ludowici Roof Tile, Inc. reserves the right to modify the configuration of item(s) shown without prior written notice.

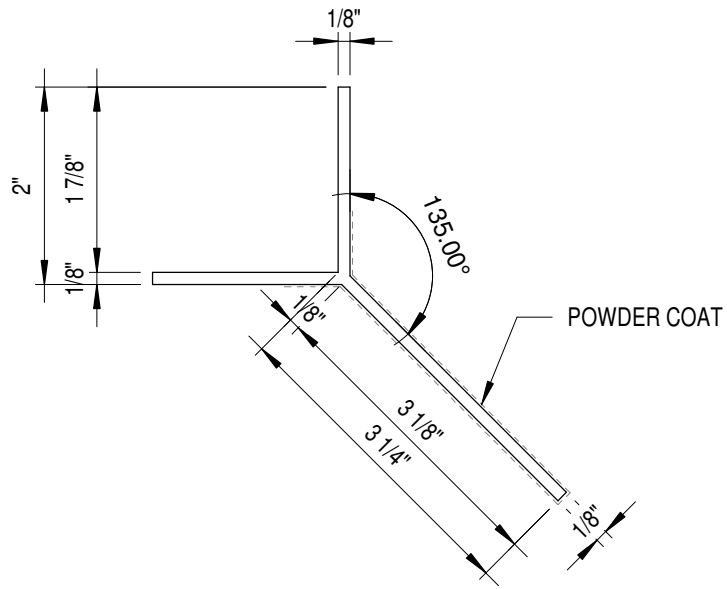


  
**LUDOWICI**<sup>®</sup>  
*Trusted. Timeless. Terra Cotta.*

4757 Tile Plant Road  
 New Lexington, Ohio 43764  
 Telephone: (800) 945-8453 Fax: (740) 342-0025  
[www.ludowici.com](http://www.ludowici.com)

SYSTEM:	NEXCLAD 14 & 16
DETAIL #:	20.2
Description:	GREATER ARROW TRIM - FABRICATION DIMENSIONS
Building Construction:	
Drawing Date:	03/19/26
Scale:	6" = 1'-0"
Ludowici Reference #:	NeXclad Shingle 16 20.2 Designer

The information contained on this drawing is the property of Ludowici Roof Tile. Any use or reproduction in whole or in part without the express written permission of Ludowici Roof Tile is strictly prohibited. Ludowici Roof Tile, Inc. reserves the right to modify the configuration of item(s) shown without prior written notice.

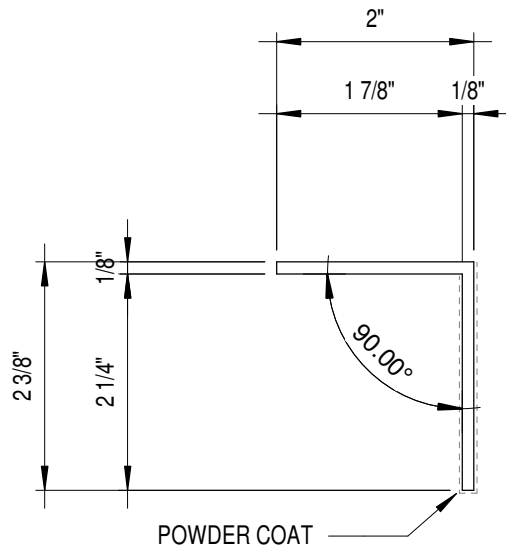


  
**LUDOWICI**<sup>®</sup>  
*Trusted. Timeless. Terra Cotta.*

**4757 Tile Plant Road**  
**New Lexington, Ohio 43764**  
**Telephone: (800) 945-8453 Fax: (740) 342-0025**  
**www.ludowici.com**

<b>SYSTEM:</b>	<b>NEXCLAD 14 &amp; 16</b>
<b>DETAIL #:</b>	<b>20.3</b>
<b>Description: KNIFE TRIM - FABRICATION</b>	
<b>DIMENSIONS</b>	
<b>Building Construction:</b>	
<b>Drawing Date:</b>	<b>09/03/24</b>
<b>Scale:</b>	<b>6" = 1'-0"</b>
<b>Ludowici Reference #:</b>	<b>NeXclad Shingle 16 20.3 Designer</b>

The information contained on this drawing is the property of Ludowici Roof Tile. Any use or reproduction in whole or in part without the express written permission of Ludowici Roof Tile is strictly prohibited. Ludowici Roof Tile, Inc. reserves the right to modify the configuration of item(s) shown without prior written notice.



  
**LUDOWICI**<sup>®</sup>  
*Trusted. Timeless. Terra Cotta.*

**4757 Tile Plant Road**  
**New Lexington, Ohio 43764**  
**Telephone: (800) 945-8453 Fax: (740) 342-0025**  
**www.ludowici.com**

<b>SYSTEM:</b>	<b>NEXCLAD 14 &amp; 16</b>
<b>DETAIL #:</b>	<b>20.4</b>
<b>Description: L TRIM - FABRICATION DIMENSIONS</b>	
<b>Building Construction:</b>	
<b>Drawing Date:</b>	<b>09/03/24</b>
<b>Scale:</b>	<b>6" = 1'-0"</b>
<b>Ludowici Reference #:</b>	<b>NeXclad Shingle 16 20.4 Designer</b>

The information contained on this drawing is the property of Ludowici Roof Tile. Any use or reproduction in whole or in part without the express written permission of Ludowici Roof Tile is strictly prohibited. Ludowici Roof Tile, Inc. reserves the right to modify the configuration of item(s) shown without prior written notice.