

NEXCLAD TRUE

P R O T O T Y P I C A L D E T A I L S



LUDOWICI®

PROTOTYPICAL DETAILS
KEY

P A G E O N E O F T W O



PROTOTYPICAL DETAILS
KEY

P A G E T W O O F T W O



3/16" LUDOWICI
DRAINAGE PLANE
MATERIAL. NOTE:
CORRUGATION OF
THE DRAINAGE MAT
TO FACE TOWARD
THE INSIDE OF THE
BUILDING, THE
FLEECE LINER
FACES THE
OUTSIDE.

AIR AND MOISTUE
BARRIER
(NOT BY LUDOWICI)

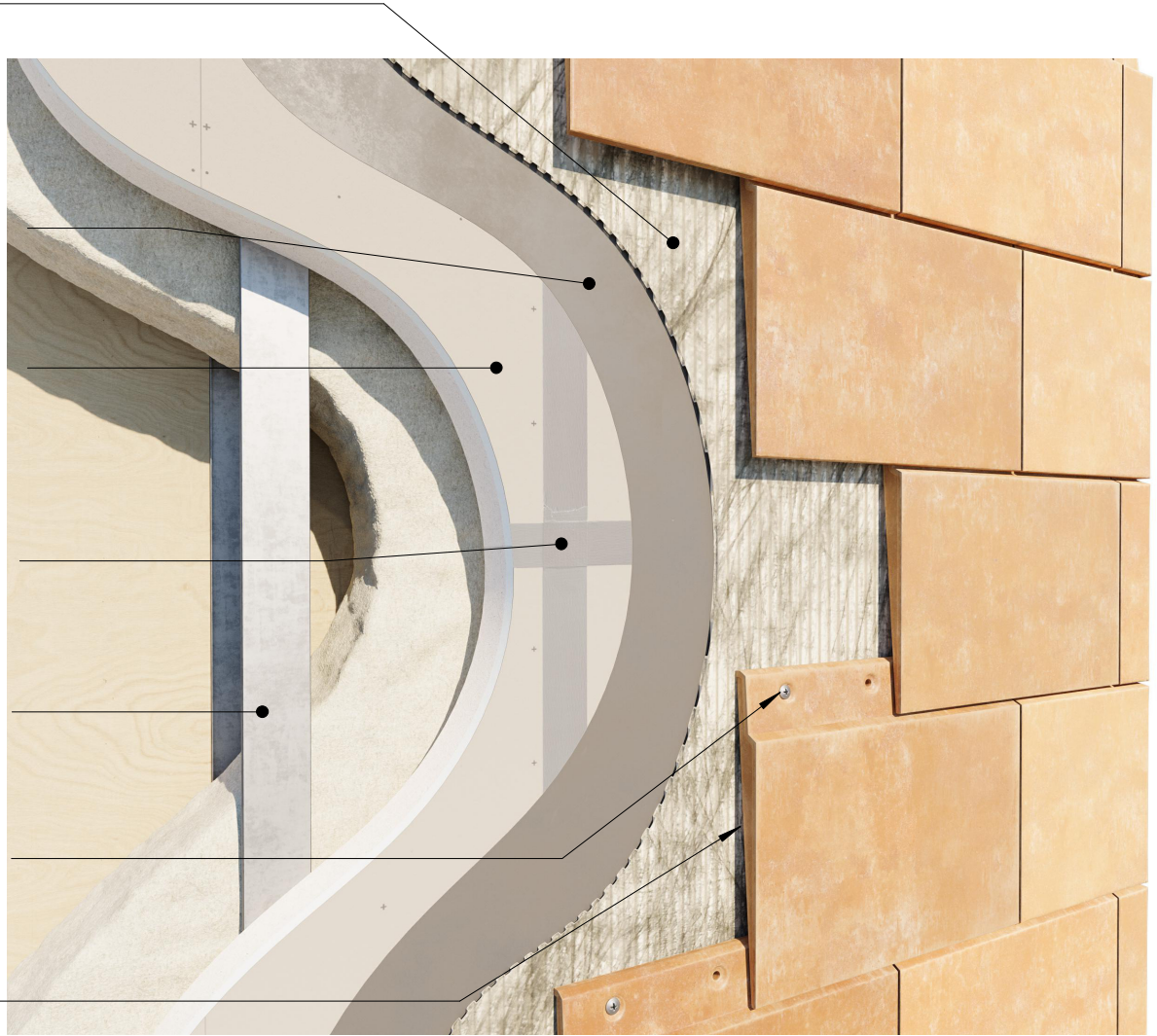
CONTINUOUS RIGID
STRUCTURAL
INSULATION BOARD
(NOT BY LUDOWICI)

CONT' RIGID
INSULATION BOARD
TAPE AT JOINTS - IF
SPECIFIED BY
MANUFACTURER
(NOT BY LUDOWICI)

EXTERIOR WALL
FRAMING (NOT BY
LUDOWICI)

(2) STAINLESS STEEL
FASTENER PER TILE
(TYP.)

LUDOWICI
NEXCLAD TRUE
TERRACOTTA
TILE

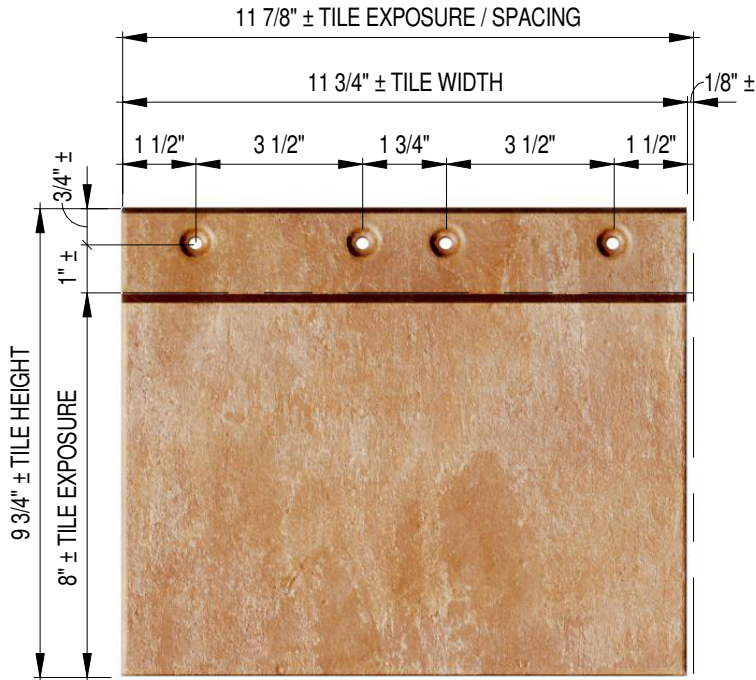



Trusted. Timeless. Terra Cotta.

4757 Tile Plant Road
New Lexington, Ohio 43764
Telephone: (800) 945-8453 Fax: (740) 342-0025
www.ludowici.com

SYSTEM:	NeXclad True
DETAIL #:	0.3rb
Description:	SYSTEM COMPONENTS ISO W/CONTINUOUS RIGID STRUCTURAL INSULATION BOARD
Building Construction:	Continuous Rigid Structural Insulation Board
Drawing Date:	04.23.2025
Scale:	3" = 1'-0"
Ludowici Reference #:	NeXclad True 0.3rb .

The information contained on this drawing is the property of Ludowici Roof Tile. Any use or reproduction in whole or in part without the express written permission of Ludowici Roof Tile is strictly prohibited. Ludowici Roof Tile, Inc. reserves the right to modify the configuration of item(s) shown without prior written notice.



FRONT



ISO



TOP



RIGHT

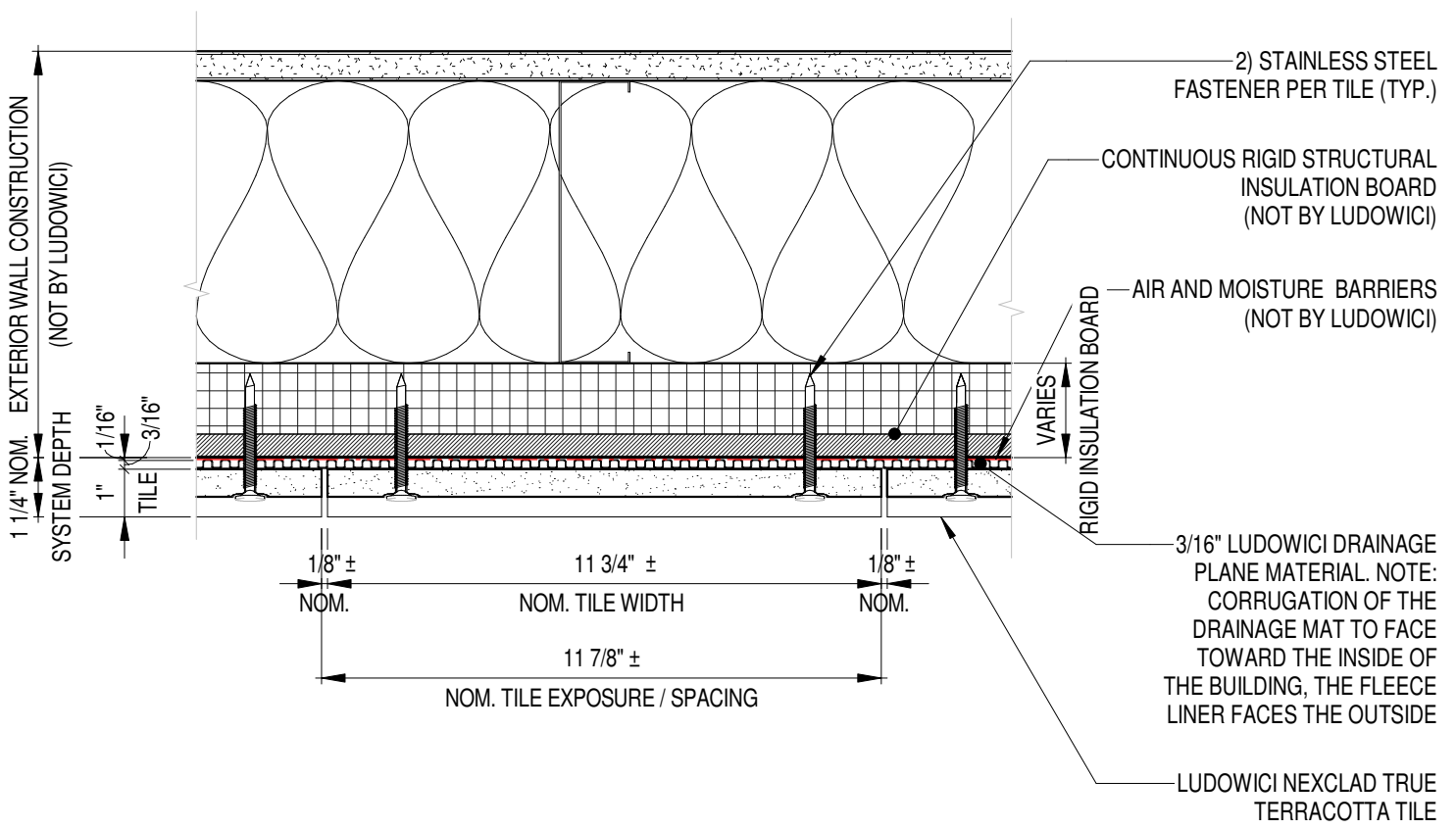
NOTE: CLAY TILE MANUFACTURING STANDARD C1167
 ALLOWS FOR A +/-5% DIMENSIONAL DEVIATION FROM
 PUBLISHED STANDARDS


LUDOWICI[®]
Trusted. Timeless. Terra Cotta.

4757 Tile Plant Road
 New Lexington, Ohio 43764
 Telephone: (800) 945-8453 Fax: (740) 342-0025
 www.ludowici.com

SYSTEM:	NeXclad True
DETAIL #:	0.4
Description: NEXCLAD TRUE TILE DIMENTIONS	
Building Construction:	
Drawing Date:	04.23.2025
Scale:	3" = 1'-0"
Ludowici Reference #:	NeXclad True 0.4 .

The information contained on this drawing is the property of Ludowici Roof Tile. Any use or reproduction in whole or in part without the express written permission of Ludowici Roof Tile is strictly prohibited. Ludowici Roof Tile, Inc. reserves the right to modify the configuration of item(s) shown without prior written notice.



LUDOWICI[®]

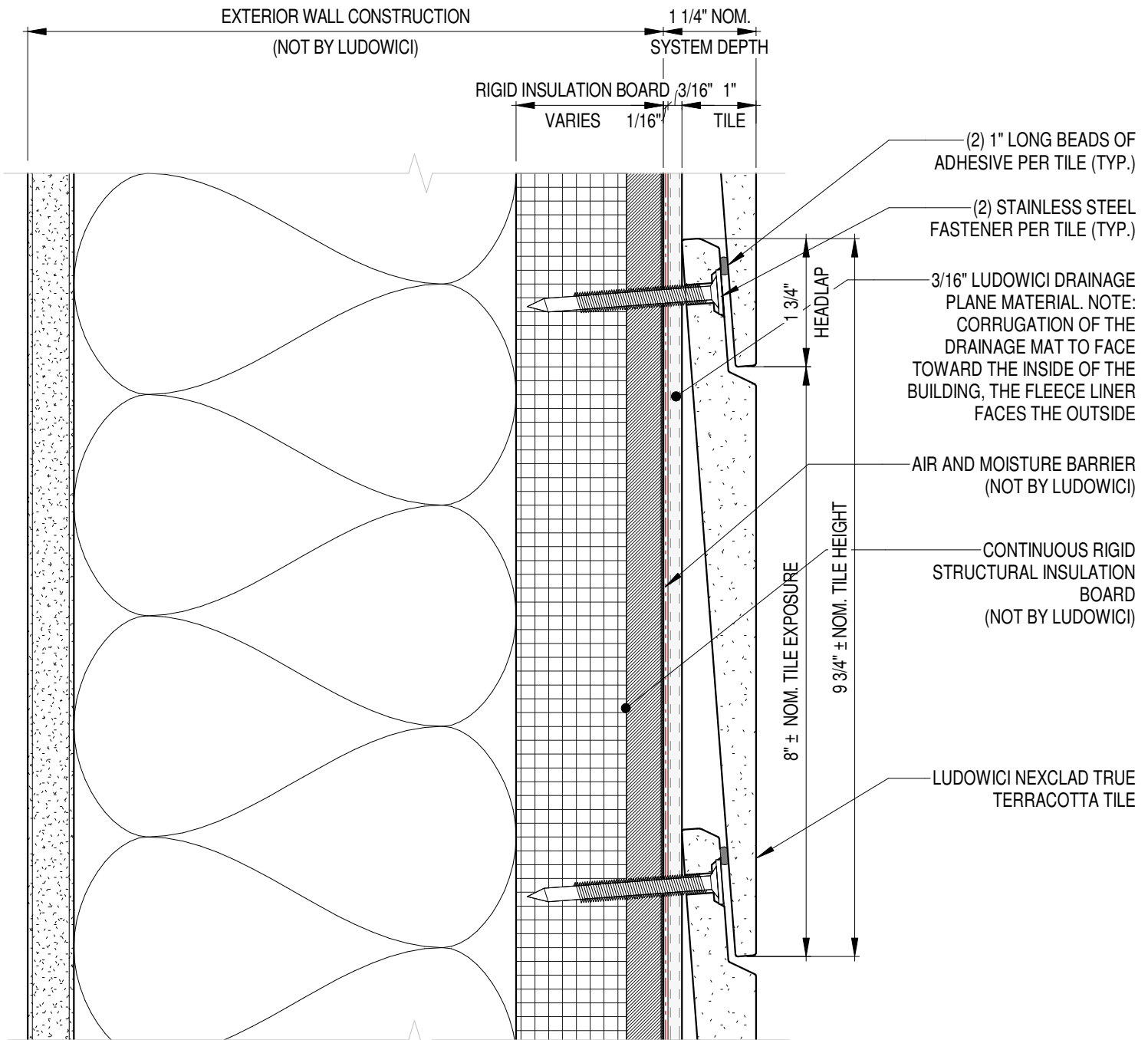
Trusted. Timeless. Terra Cotta.

4757 Tile Plant Road
 New Lexington, Ohio 43764
 Telephone: (800) 945-8453 Fax: (740) 342-0025
 www.ludowici.com

SYSTEM:	NeXclad True
DETAIL #:	1rb
Description:	HORIZONTAL MODULE PLAN DETAIL W/ CONTINUOUS RIGID STRUCTURAL INSULATION BOARD
Building Construction:	Continuous Rigid Structural Insulation Board
Drawing Date:	04.23.2025
Scale:	3" = 1'-0"
Ludowici Reference #:	NeXclad True 1rb Designer

The information contained on this drawing is the property of Ludowici Roof Tile. Any use or reproduction in whole or in part without the express written permission of Ludowici Roof Tile is strictly prohibited. Ludowici Roof Tile, Inc. reserves the right to modify the configuration of item(s) shown without prior written notice.

© Ludowici Roof Tile, Inc. All Rights Reserved




LUDOWICI®

Trusted. Timeless. Terra Cotta.

4757 Tile Plant Road
 New Lexington, Ohio 43764
 Telephone: (800) 945-8453 Fax: (740) 342-0025
 www.ludowici.com

SYSTEM: NeXclad True

DETAIL #: 2rb

Description: TYPICAL SECTION DETAIL W/ CONTINUOUS RIGID STRUCTURAL INSULATION BOARD

Building Construction: Continuous Rigid Structural Insulation Board

Drawing Date: 04.23.2025

Scale: 6" = 1'-0"

Ludowici Reference #: NeXclad True 2rb Designer

The information contained on this drawing is the property of Ludowici Roof Tile. Any use or reproduction in whole or in part without the express written permission of Ludowici Roof Tile is strictly prohibited. Ludowici Roof Tile, Inc. reserves the right to modify the configuration of item(s) shown without prior written notice.



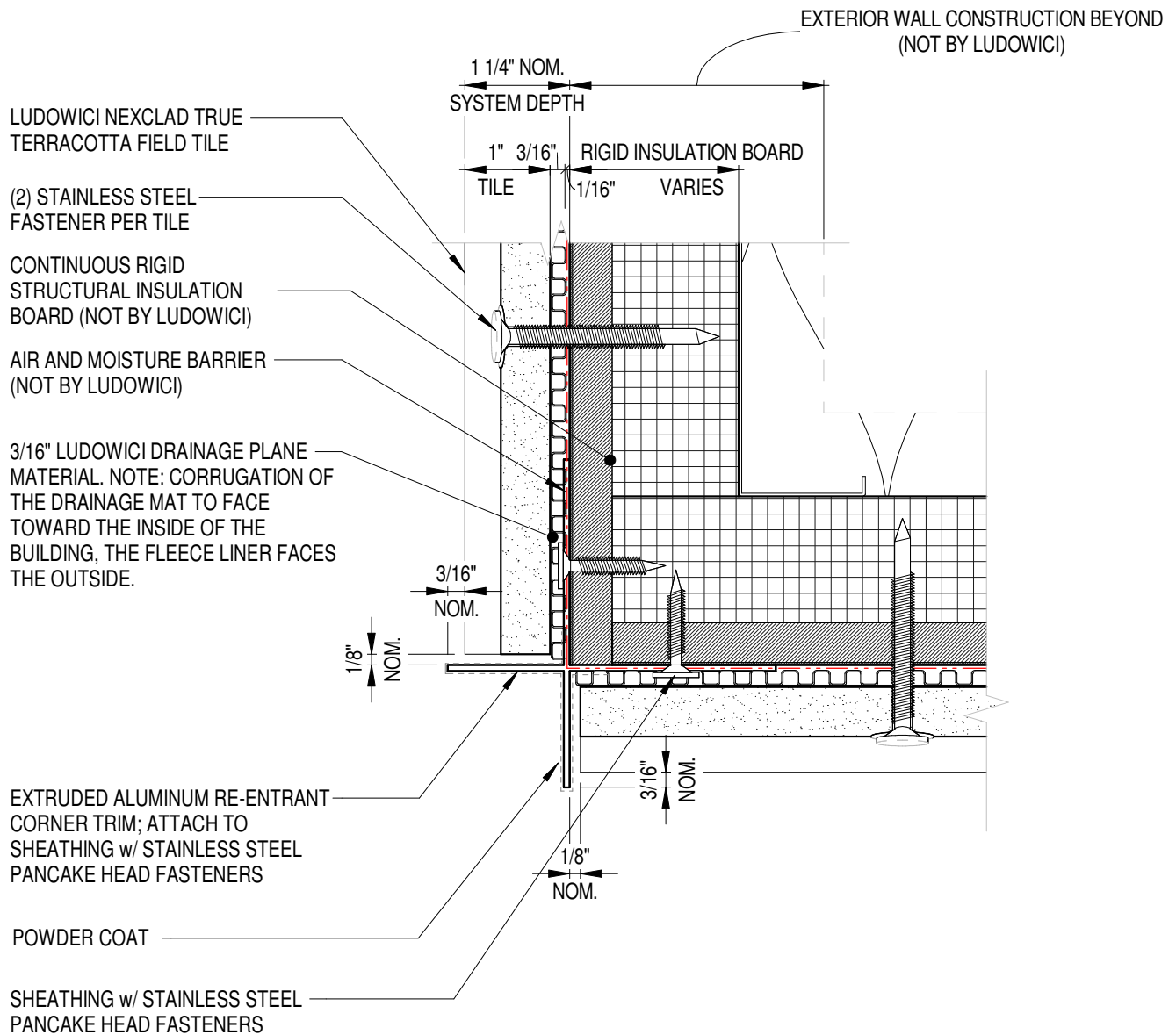


Trusted. Timeless. Terra Cotta.

4757 Tile Plant Road
New Lexington, Ohio 43764
Telephone: (800) 945-8453 Fax: (740) 342-0025
www.ludowici.com

SYSTEM:	NeXclad True
DETAIL #:	4axo
Description: EXTERNAL CORNER - RE-ENTRANT METAL TRIM - AXONOMETRIC	
Building Construction:	Stud Wall Framing
Drawing Date:	04.23.2025
Scale:	
Ludowici Reference #:	NeXclad True 4axo .

The information contained on this drawing is the property of Ludowici Roof Tile. Any use or reproduction in whole or in part without the express written permission of Ludowici Roof Tile is strictly prohibited. Ludowici Roof Tile, Inc. reserves the right to modify the configuration of item(s) shown without prior written notice.




LUDOWICI[®]
Trusted. Timeless. Terra Cotta.

4757 Tile Plant Road
New Lexington, Ohio 43764
Telephone: (800) 945-8453 Fax: (740) 342-0025
www.ludowici.com

SYSTEM:	NeXclad True
DETAIL #:	4rb
Description: EXTERNAL CORNER WITH - RE-ENTRANT METAL TRIM W/ CONTINUOUS RIGID STRUCTURAL INSULATION BOARD	
Building Construction:	Continuous Rigid Structural Insulation Board
Drawing Date:	04.23.2025
Scale:	6" = 1'-0"
Ludowici Reference #:	NeXclad True 4rb Designer

The information contained on this drawing is the property of Ludowici Roof Tile. Any use or reproduction in whole or in part without the express written permission of Ludowici Roof Tile is strictly prohibited. Ludowici Roof Tile, Inc. reserves the right to modify the configuration of item(s) shown without prior written notice.

© Ludowici Roof Tile, Inc. All Rights Reserved





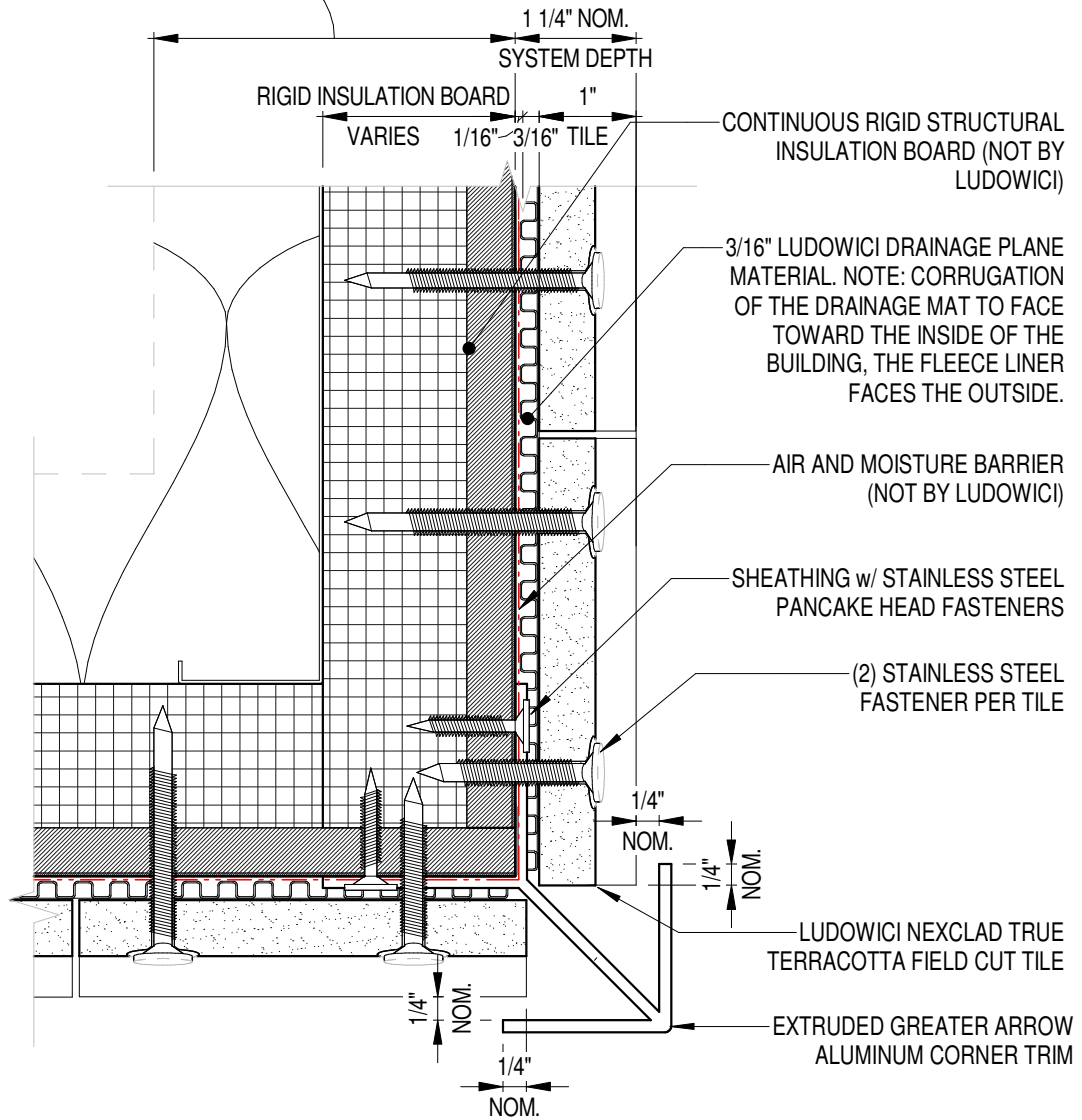
Trusted. Timeless. Terra Cotta.

4757 Tile Plant Road
New Lexington, Ohio 43764
Telephone: (800) 945-8453 Fax: (740) 342-0025
www.ludowici.com

SYSTEM:	NeXclad True
DETAIL #:	5axo
Description: EXTERNAL CORNER - GREATER ARROW CORNER METAL TRIM - AXONOMETRIC	
Building Construction:	Stud Wall Framing
Drawing Date:	04.23.2025
Scale:	
Ludowici Reference #:	NeXclad True 5axo Designer

The information contained on this drawing is the property of Ludowici Roof Tile. Any use or reproduction in whole or in part without the express written permission of Ludowici Roof Tile is strictly prohibited. Ludowici Roof Tile, Inc. reserves the right to modify the configuration of item(s) shown without prior written notice.

EXTERIOR WALL CONSTRUCTION BEYOND
(NOT BY LUDOWICI)



Trusted. Timeless. Terra Cotta.

4757 Tile Plant Road
New Lexington, Ohio 43764
Telephone: (800) 945-8453 Fax: (740) 342-0025
www.ludowici.com

SYSTEM:	NeXclad True
DETAIL #:	5rb
Description:	EXTERNAL CORNER - GREATER ARROW CORNER TRIM W/CONTINUOUS RIGID STRUCTURAL INSULATION BOARD
Building Construction:	Continuous Rigid Structural Insulation Board
Drawing Date:	04.23.2025
Scale:	6" = 1'-0"
Ludowici Reference #:	NeXclad True 5rb Designer

The information contained on this drawing is the property of Ludowici Roof Tile. Any use or reproduction in whole or in part without the express written permission of Ludowici Roof Tile is strictly prohibited. Ludowici Roof Tile, Inc. reserves the right to modify the configuration of item(s) shown without prior written notice.





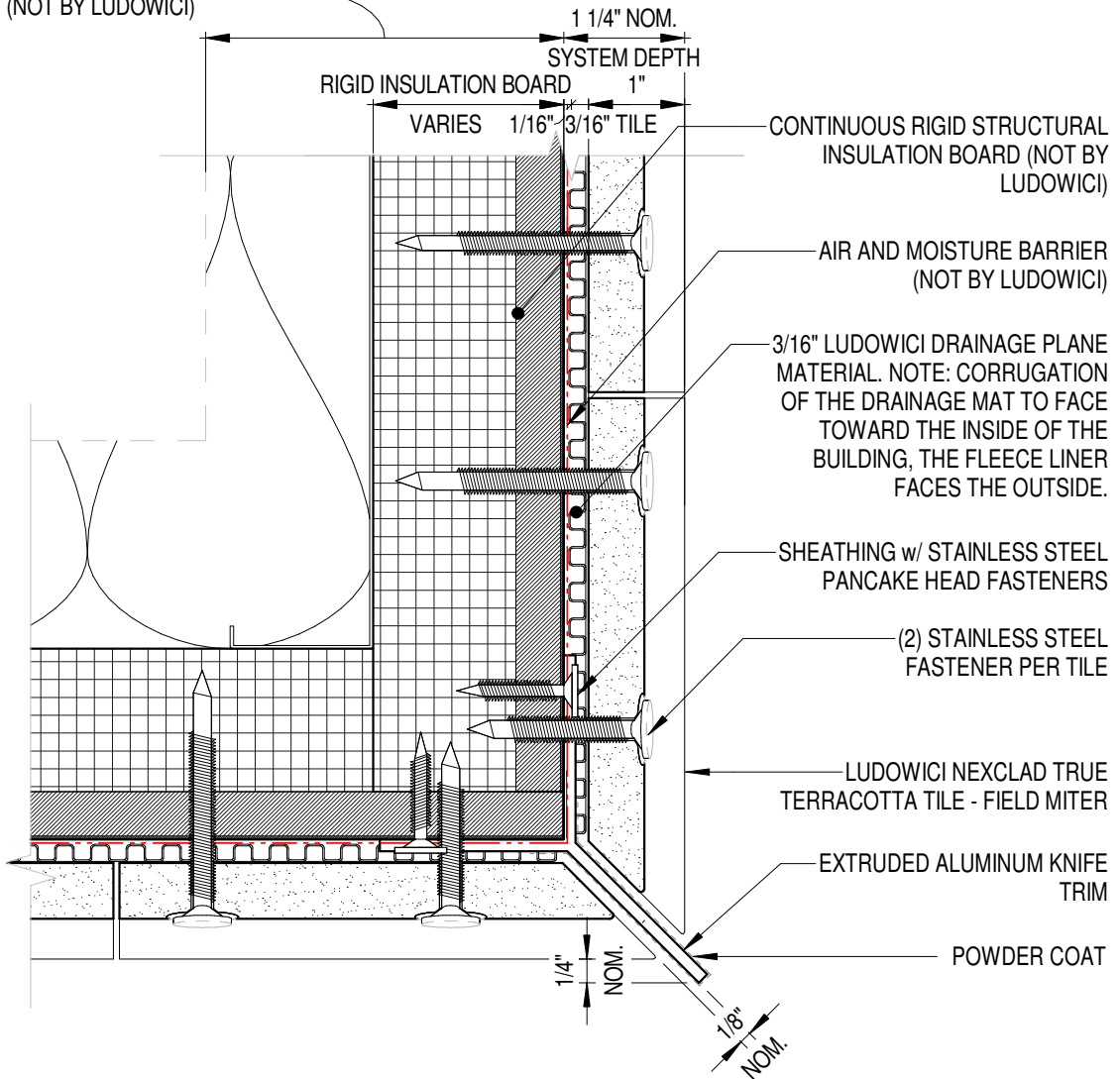
Trusted. Timeless. Terra Cotta.

4757 Tile Plant Road
New Lexington, Ohio 43764
Telephone: (800) 945-8453 Fax: (740) 342-0025
www.ludowici.com

SYSTEM:	NeXclad True
DETAIL #:	7axo
Description: EXTERNAL CORNER - KNIFE CORNER METAL TRIM - AXONOMETRIC	
Building Construction:	Stud Wall Framing
Drawing Date:	04.23.2025
Scale:	
Ludowici Reference #:	NeXclad True 7axo Designer

The information contained on this drawing is the property of Ludowici Roof Tile. Any use or reproduction in whole or in part without the express written permission of Ludowici Roof Tile is strictly prohibited. Ludowici Roof Tile, Inc. reserves the right to modify the configuration of item(s) shown without prior written notice.

EXTERIOR WALL CONSTRUCTION BEYOND
(NOT BY LUDOWICI)



4757 Tile Plant Road
New Lexington, Ohio 43764
Telephone: (800) 945-8453 Fax: (740) 342-0025
www.ludowici.com

SYSTEM:	NeXclad True
DETAIL #:	7rb
Description:	EXTERNAL CORNER - KNIFE CORNER TRIM W/CONTINUOUS RIGID STRUCTURAL INSULATION BOARD
Building Construction:	Continuous Rigid Structural Insulation Board
Drawing Date:	04.23.2025
Scale:	6" = 1'-0"
Ludowici Reference #:	NeXclad True 7rb Designer

The information contained on this drawing is the property of Ludowici Roof Tile. Any use or reproduction in whole or in part without the express written permission of Ludowici Roof Tile is strictly prohibited. Ludowici Roof Tile, Inc. reserves the right to modify the configuration of item(s) shown without prior written notice.

© Ludowici Roof Tile, Inc. All Rights Reserved




LUDOWICI[®]
Trusted. Timeless. Terra Cotta.

4757 Tile Plant Road
New Lexington, Ohio 43764
Telephone: (800) 945-8453 Fax: (740) 342-0025
www.ludowici.com

SYSTEM: NeXclad True

DETAIL #: 9axo

Description: EXTERNAL CORNER - FLUSH SHIPLAP CORNER TILE - AXONOMETRIC

Building Construction: Stud Wall Framing

Drawing Date: 04.23.2025

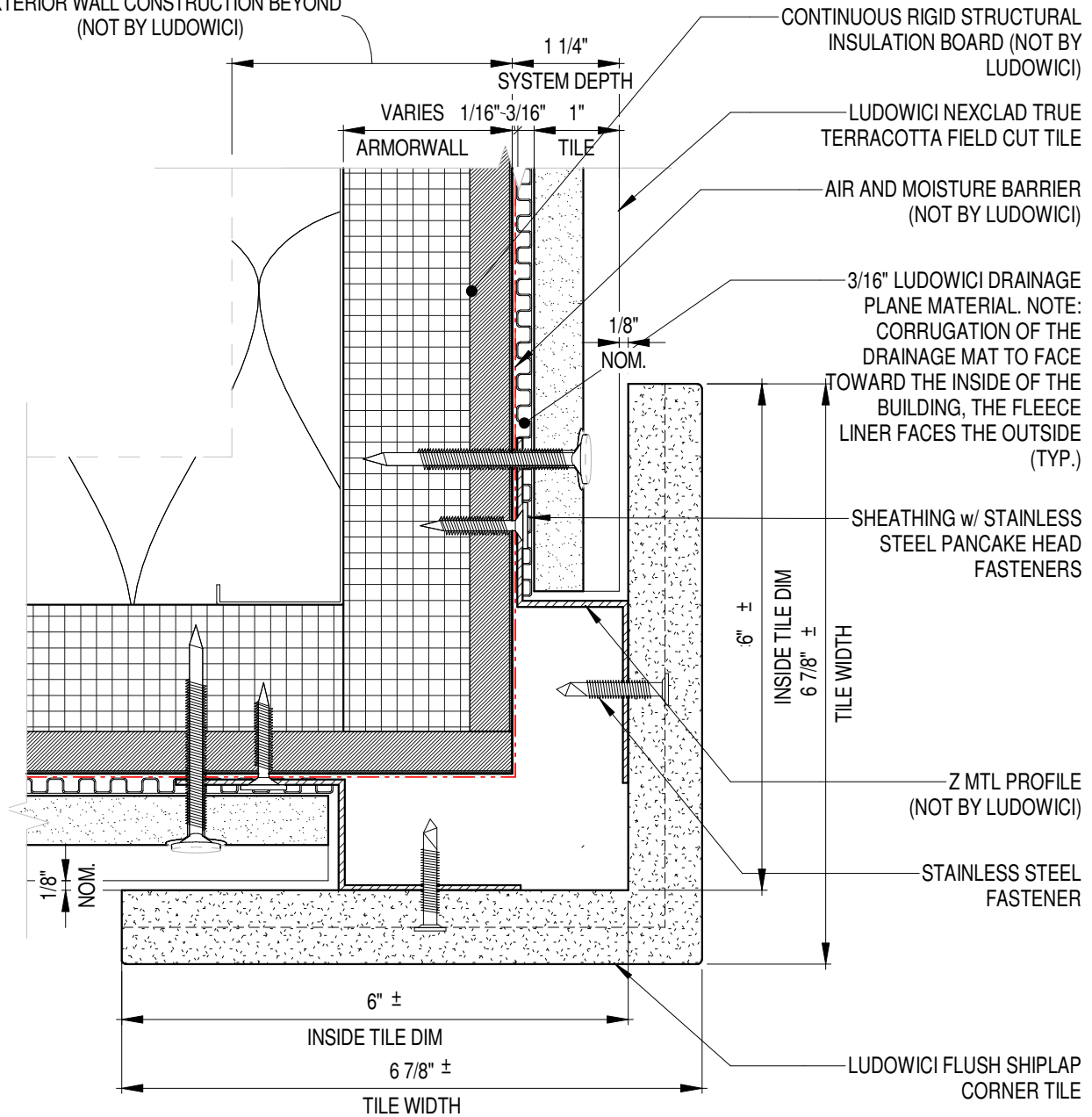
Scale:

Ludowici Reference #: NeXclad True 9axo Designer

The information contained on this drawing is the property of Ludowici Roof Tile. Any use or reproduction in whole or in part without the express written permission of Ludowici Roof Tile is strictly prohibited. Ludowici Roof Tile, Inc. reserves the right to modify the configuration of item(s) shown without prior written notice.

© Ludowici Roof Tile, Inc. All Rights Reserved

EXTERIOR WALL CONSTRUCTION BEYOND
(NOT BY LUDOWICI)



LUDOWICI[®]

Trusted. Timeless. Terra Cotta.

4757 Tile Plant Road
New Lexington, Ohio 43764
Telephone: (800) 945-8453 Fax: (740) 342-0025
www.ludowici.com

SYSTEM:	NeXclad True
DETAIL #:	9rb
Description:	EXTERNAL CORNER - FLUSH SHIPLAP TILE W/RIGID INSULATION BOARD
Building Construction:	Continuous Rigid Structural Insulation Board
Drawing Date:	04.23.2025
Scale:	6" = 1'-0"
Ludowici Reference #:	NeXclad True 9rb Designer

The information contained on this drawing is the property of Ludowici Roof Tile. Any use or reproduction in whole or in part without the express written permission of Ludowici Roof Tile is strictly prohibited. Ludowici Roof Tile, Inc. reserves the right to modify the configuration of item(s) shown without prior written notice.



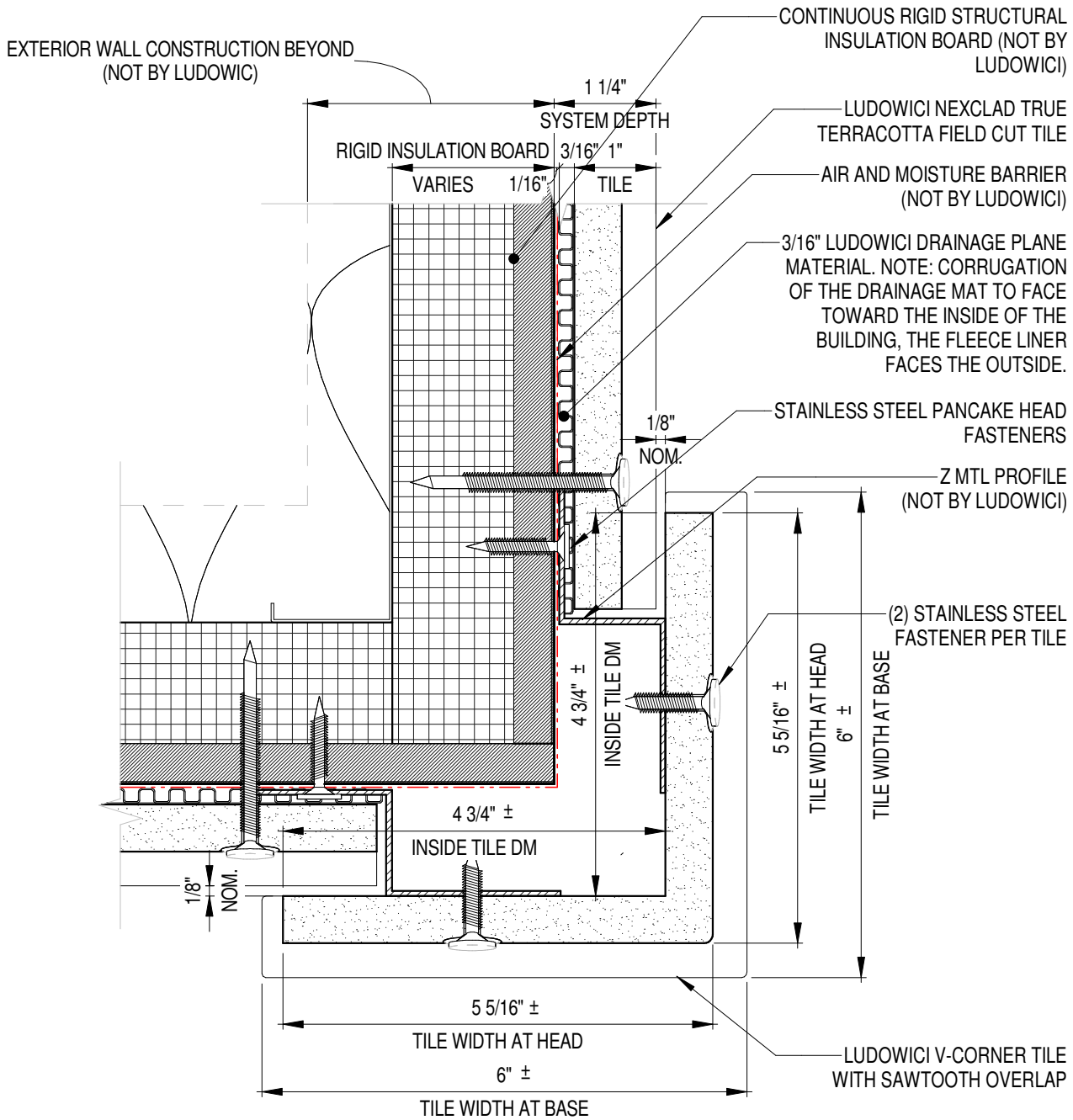


Trusted. Timeless. Terra Cotta.

4757 Tile Plant Road
New Lexington, Ohio 43764
Telephone: (800) 945-8453 Fax: (740) 342-0025
www.ludowici.com

SYSTEM:	NeXclad True
DETAIL #:	10axo
Description: EXTERNAL CORNER - 'V' CORNER TILE - AXONOMETRIC	
Building Construction:	Stud Wall Framing
Drawing Date:	04.23.2025
Scale:	
Ludowici Reference #:	NeXclad True 10axo Designer

The information contained on this drawing is the property of Ludowici Roof Tile. Any use or reproduction in whole or in part without the express written permission of Ludowici Roof Tile is strictly prohibited. Ludowici Roof Tile, Inc. reserves the right to modify the configuration of item(s) shown without prior written notice.



LUDOWICI[®]

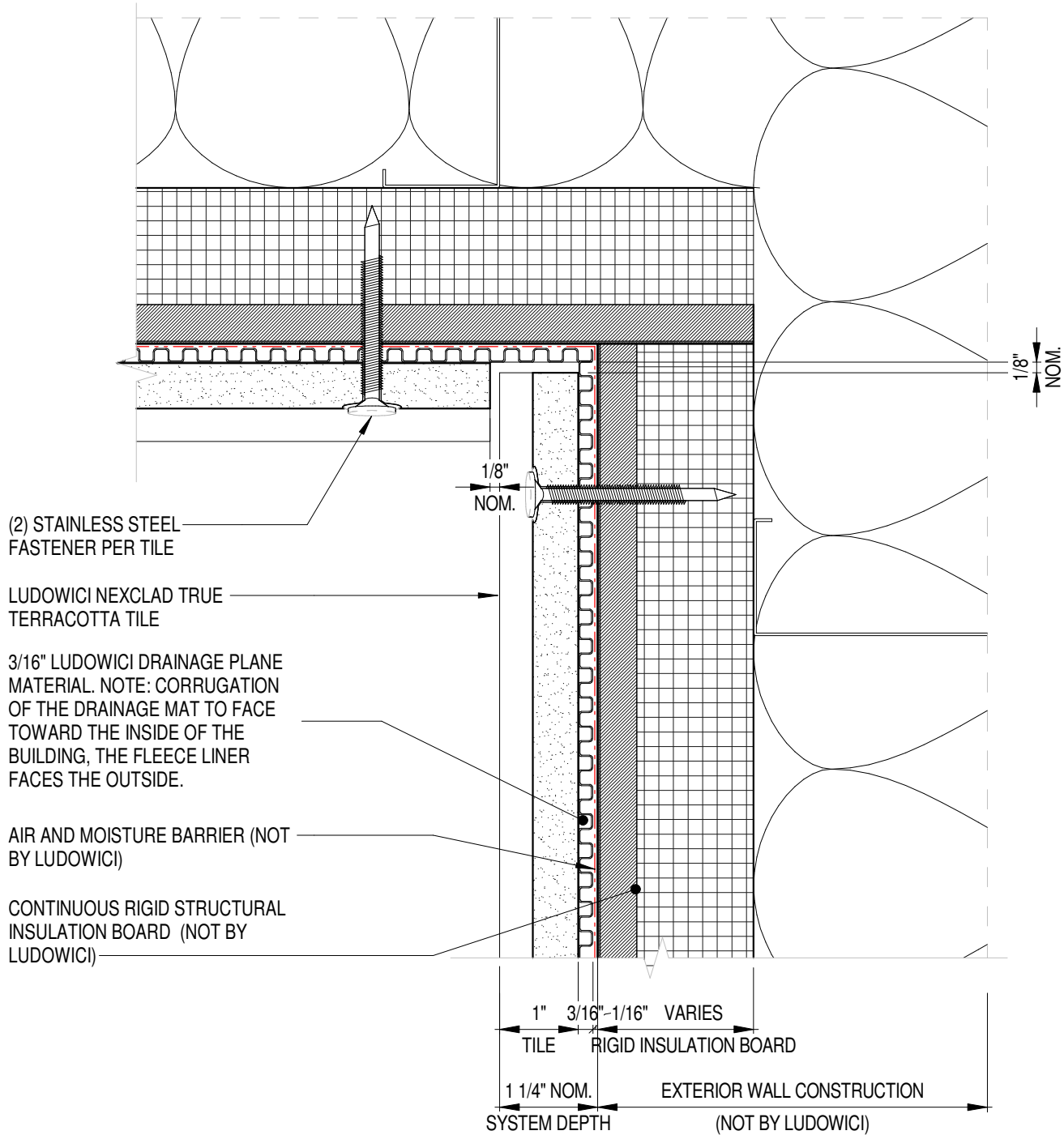
Trusted. Timeless. Terra Cotta.

4757 Tile Plant Road
 New Lexington, Ohio 43764
 Telephone: (800) 945-8453 Fax: (740) 342-0025
 www.ludowici.com

SYSTEM:	NeXclad True
DETAIL #:	10rb
Description:	EXTERNAL CORNER - 'V' CORNER TILE W/CONT' RIGID INSULATION BOARD
Building Construction:	Continuous Rigid Structural Insulation Board
Drawing Date:	04.23.2025
Scale:	6" = 1'-0"
Ludowici Reference #:	NeXclad True 10rb Designer

The information contained on this drawing is the property of Ludowici Roof Tile. Any use or reproduction in whole or in part without the express written permission of Ludowici Roof Tile is strictly prohibited. Ludowici Roof Tile, Inc. reserves the right to modify the configuration of item(s) shown without prior written notice.

© Ludowici Roof Tile, Inc. All Rights Reserved



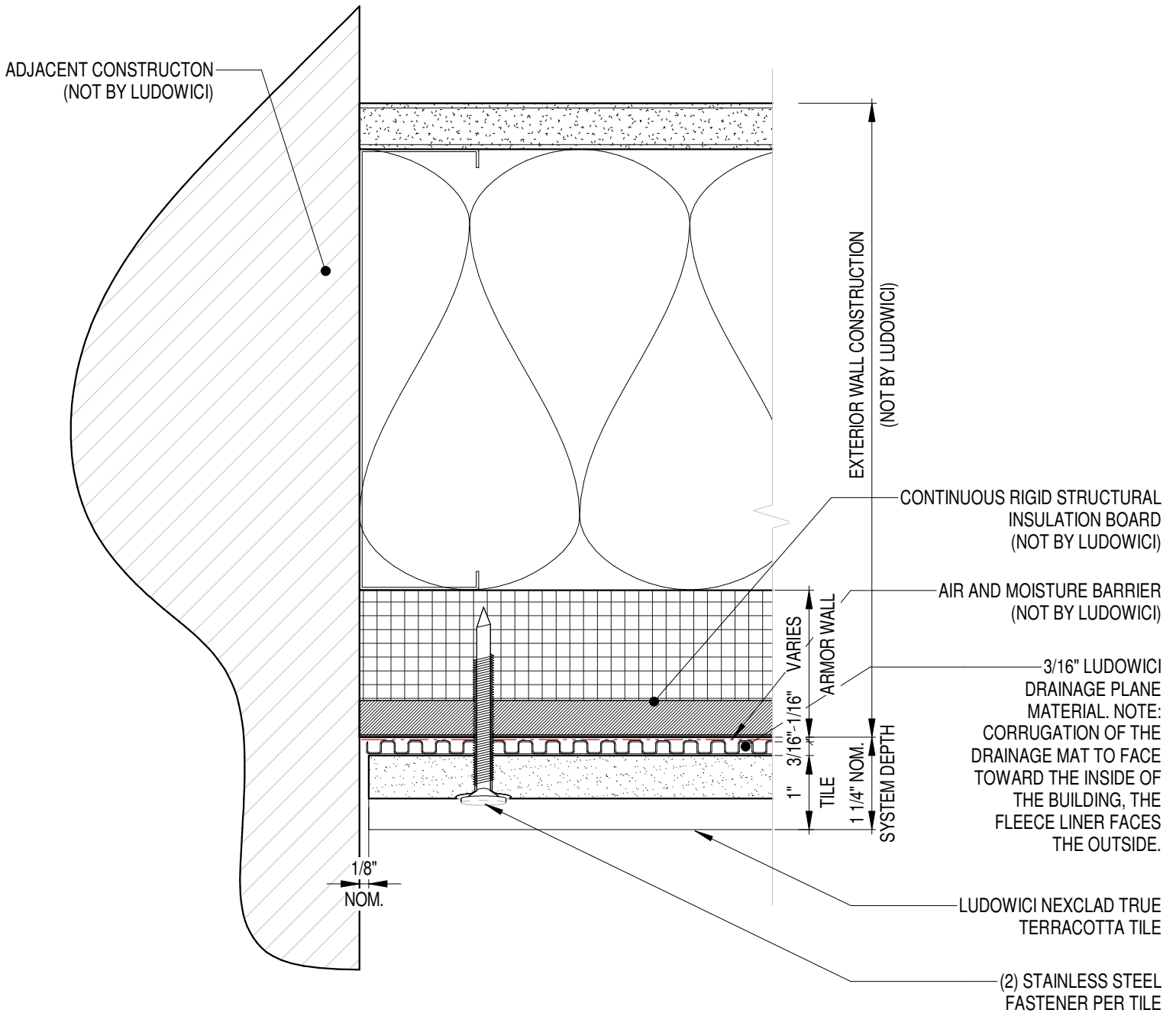


Trusted. Timeless. Terra Cotta.

4757 Tile Plant Road
 New Lexington, Ohio 43764
 Telephone: (800) 945-8453 Fax: (740) 342-0025
 www.ludowici.com

SYSTEM:	NeXclad True
DETAIL #:	11rb
Description:	INTERNAL CORNER PLAN DETAIL W/RIGID INSULATION BOARD
Building Construction:	Continuous Rigid Structural Insulation Board
Drawing Date:	04.23.2025
Scale:	6" = 1'-0"
Ludowici Reference #:	NeXclad True 11rb .

The information contained on this drawing is the property of Ludowici Roof Tile. Any use or reproduction in whole or in part without the express written permission of Ludowici Roof Tile is strictly prohibited. Ludowici Roof Tile, Inc. reserves the right to modify the configuration of item(s) shown without prior written notice.



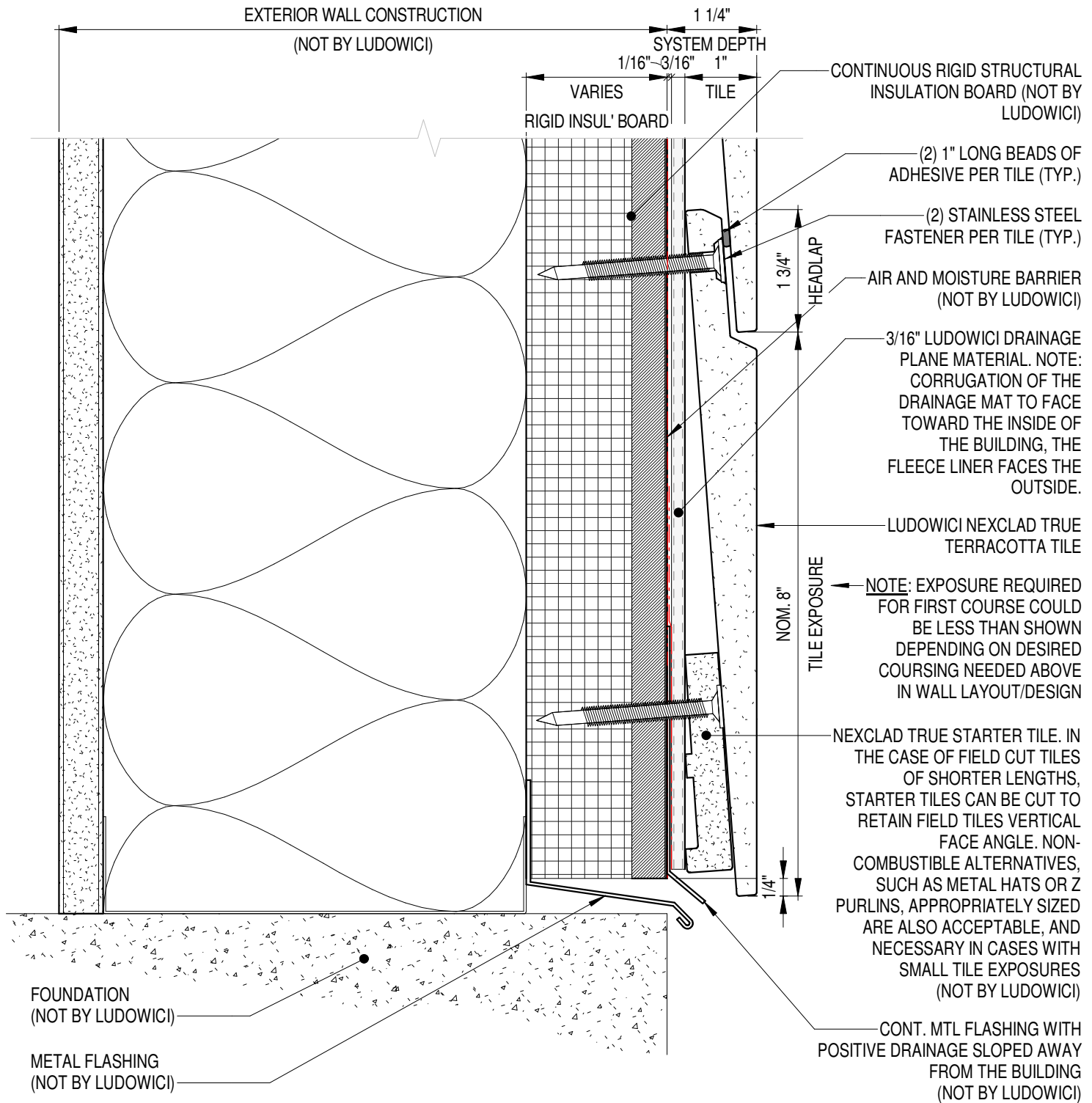

LUDOWICI[®]
Trusted. Timeless. Terra Cotta.

4757 Tile Plant Road
 New Lexington, Ohio 43764
 Telephone: (800) 945-8453 Fax: (740) 342-0025
www.ludowici.com

SYSTEM:	NeXclad True
DETAIL #:	12rb
Description: WALL TERMINATION PLAN DETAIL W/RIGID INSULATION BOARD	
Building Construction:	Continuous Rigid Structural Insulation Board
Drawing Date:	04.23.2025
Scale:	6" = 1'-0"
Ludowici Reference #:	NeXclad True 12rb.

The information contained on this drawing is the property of Ludowici Roof Tile. Any use or reproduction in whole or in part without the express written permission of Ludowici Roof Tile is strictly prohibited. Ludowici Roof Tile, Inc. reserves the right to modify the configuration of item(s) shown without prior written notice.

© Ludowici Roof Tile, Inc. All Rights Reserved



LUDOWICI[®]

Trusted. Timeless. Terra Cotta.

4757 Tile Plant Road
New Lexington, Ohio 43764
Telephone: (800) 945-8453 Fax: (740) 342-0025
www.ludowici.com

SYSTEM: NeXclad True

DETAIL #: 13rb

Description: BASE OF WALL SECTION DETAIL W/RIGID INSULATION BOARD

Building Construction: Continuous Rigid Structural Insulation Board

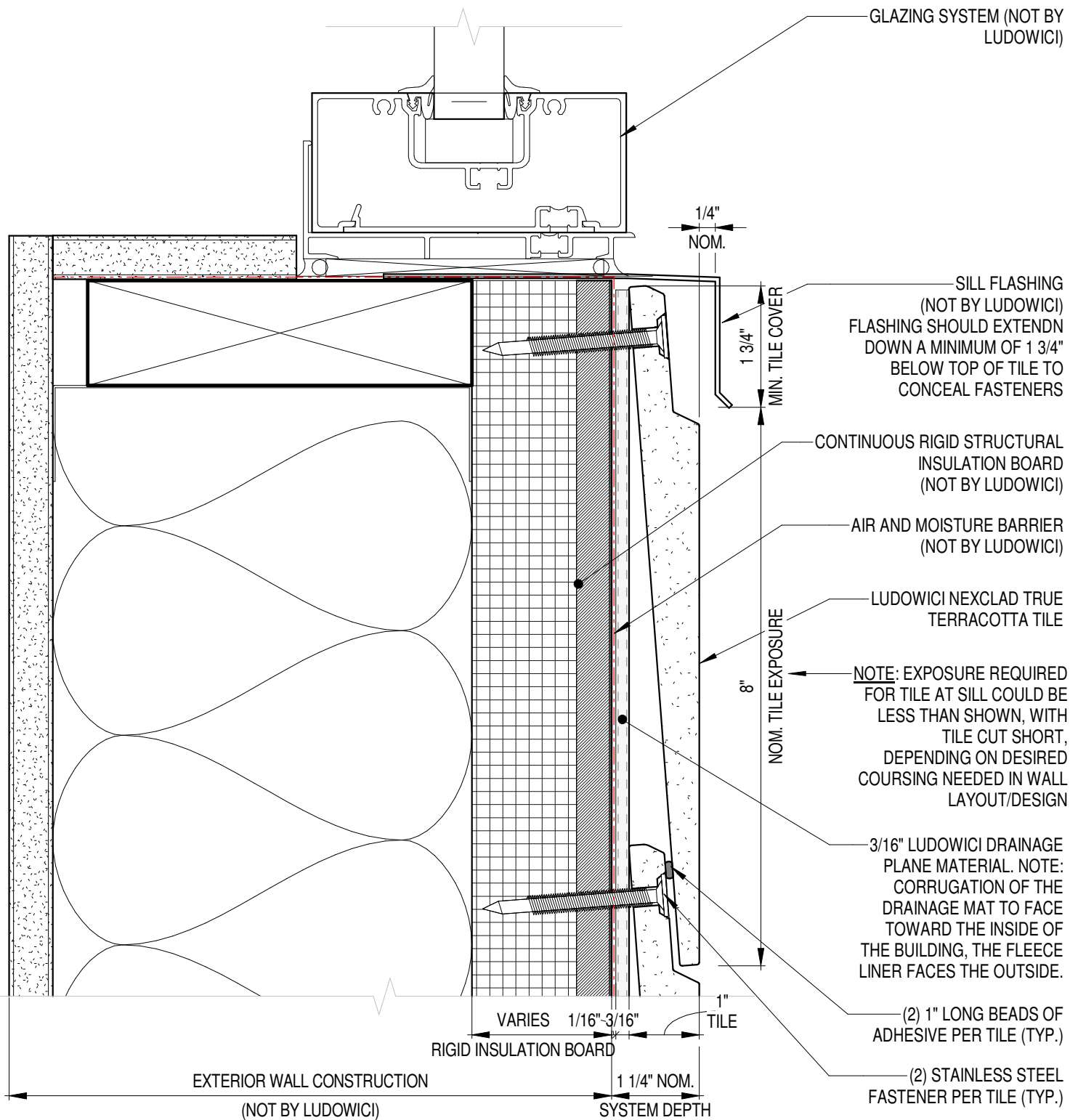
Drawing Date: 04.23.2025

Scale: 6" = 1'-0"

Ludowici Reference #: NeXclad True 13rb.

The information contained on this drawing is the property of Ludowici Roof Tile. Any use or reproduction in whole or in part without the express written permission of Ludowici Roof Tile is strictly prohibited. Ludowici Roof Tile, Inc. reserves the right to modify the configuration of item(s) shown without prior written notice.

© Ludowici Roof Tile, Inc. All Rights Reserved



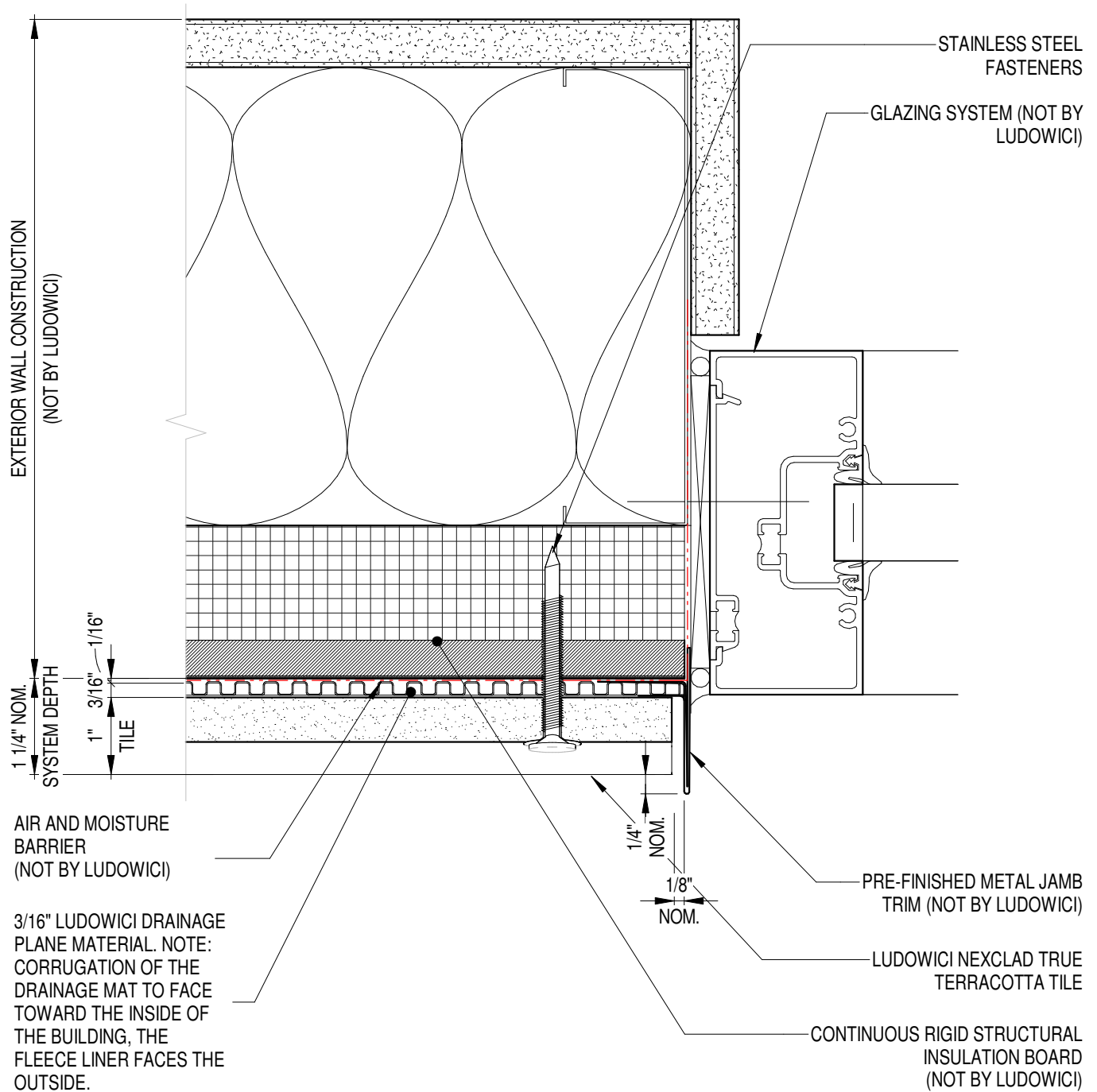
LUDOWICI[®]

Trusted. Timeless. Terra Cotta.

4757 Tile Plant Road
 New Lexington, Ohio 43764
 Telephone: (800) 945-8453 Fax: (740) 342-0025
 www.ludowici.com

SYSTEM:	NeXclad True
DETAIL #:	14rb
Description:	SILL SECTION DETAIL W/ CONT' RIGID INSULATION BOARD
Building Construction:	Continuous Rigid Structural Insulation Board
Drawing Date:	04.23.2025
Scale:	6" = 1'-0"
Ludowici Reference #:	NeXclad True 14rb.

The information contained on this drawing is the property of Ludowici Roof Tile. Any use or reproduction in whole or in part without the express written permission of Ludowici Roof Tile is strictly prohibited. Ludowici Roof Tile, Inc. reserves the right to modify the configuration of item(s) shown without prior written notice.



LUDOWICI[®]

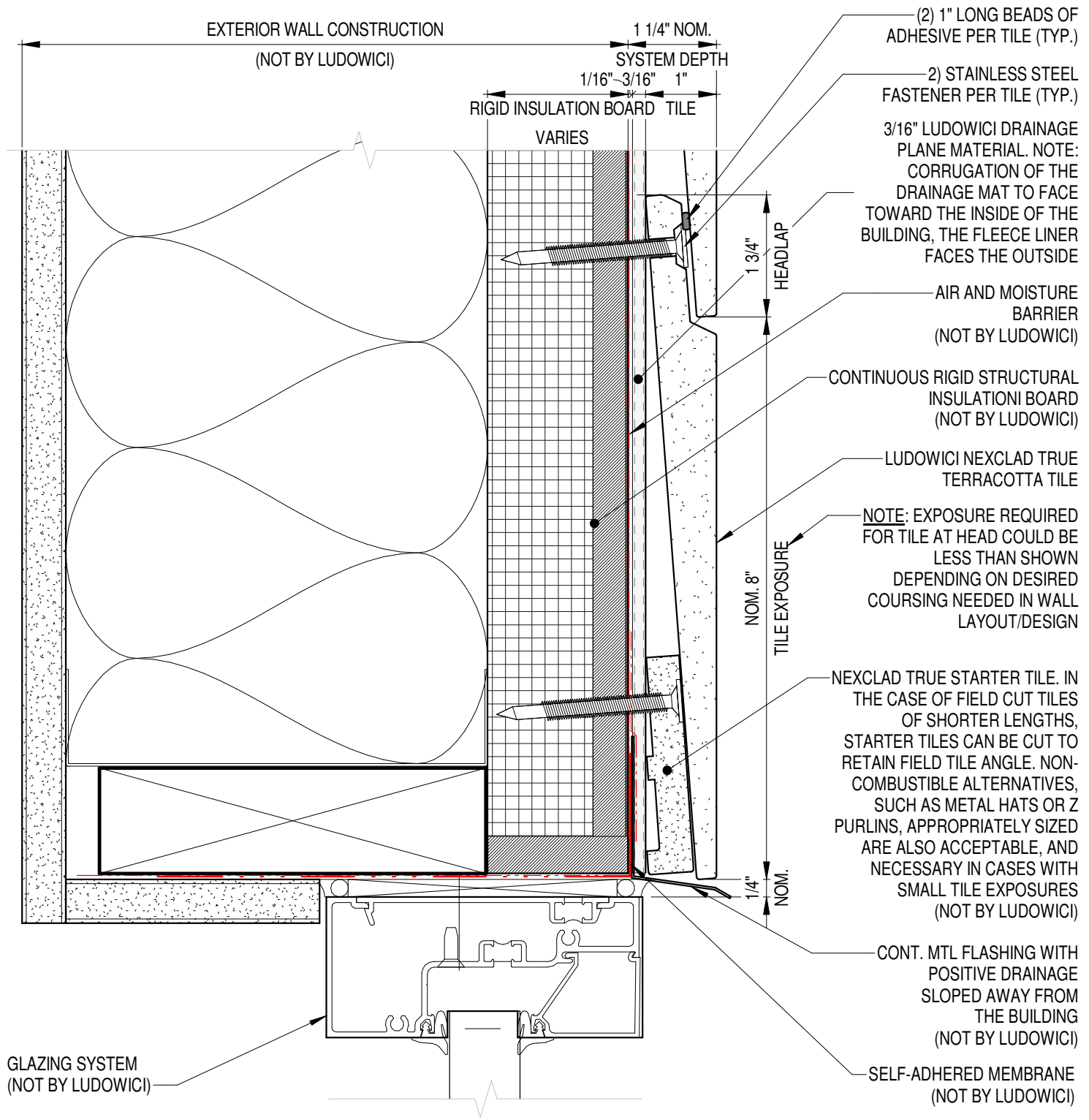
Trusted. Timeless. Terra Cotta.

4757 Tile Plant Road
 New Lexington, Ohio 43764
 Telephone: (800) 945-8453 Fax: (740) 342-0025
 www.ludowici.com

SYSTEM:	NeXclad True
DETAIL #:	15rb
Description:	JAM PLAN DETAIL W/CONT' RIGID STRUCTURAL INSULATION BOARD
Building Construction:	Continuous Rigid Structural Insulation Board
Drawing Date:	04.23.2025
Scale:	6" = 1'-0"
Ludowici Reference #:	NeXclad True 15rb Designer

The information contained on this drawing is the property of Ludowici Roof Tile. Any use or reproduction in whole or in part without the express written permission of Ludowici Roof Tile is strictly prohibited. Ludowici Roof Tile, Inc. reserves the right to modify the configuration of item(s) shown without prior written notice.

© Ludowici Roof Tile, Inc. All Rights Reserved



LUDOWICI[®]

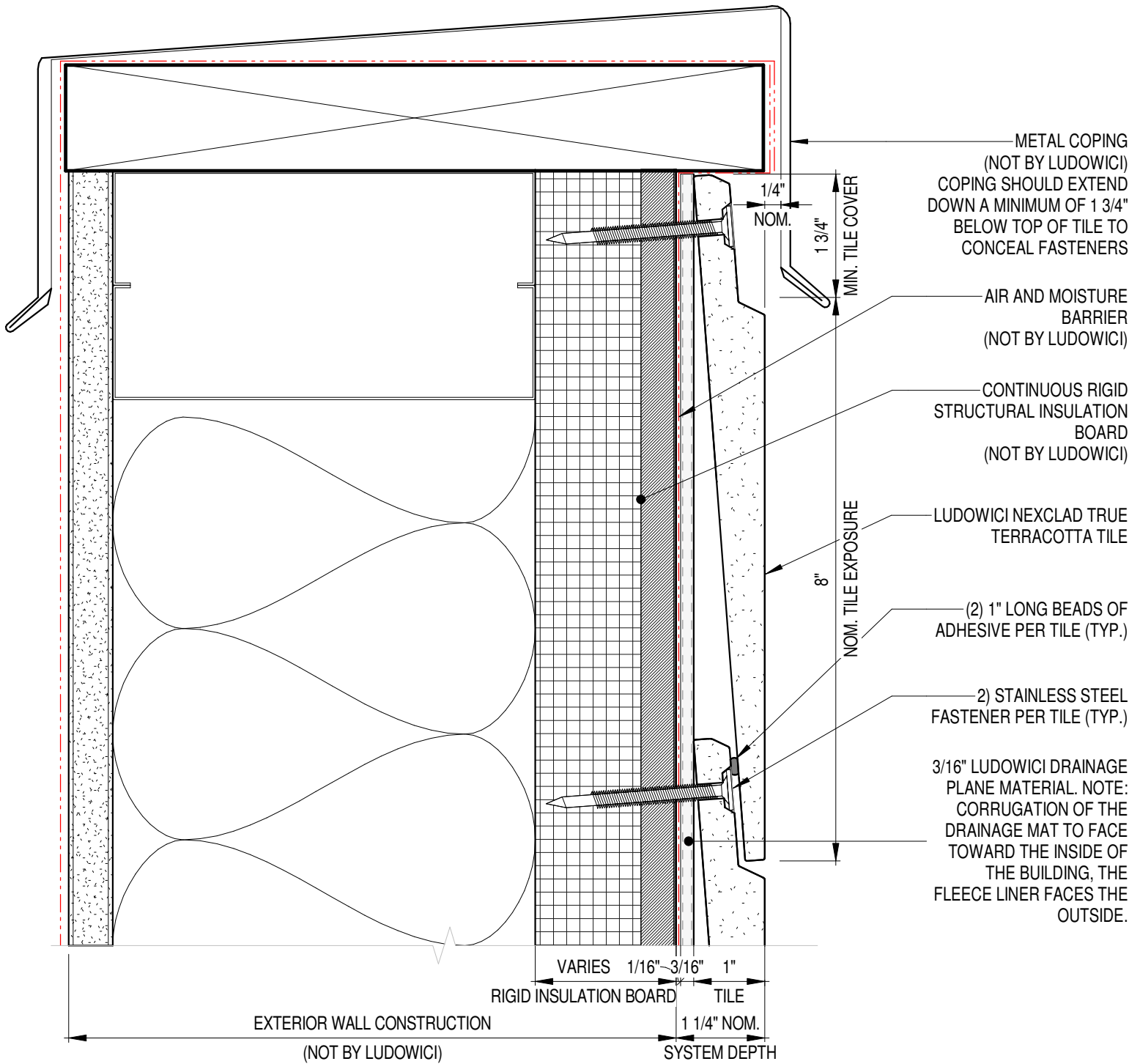
Trusted. Timeless. Terra Cotta.

4757 Tile Plant Road
 New Lexington, Ohio 43764
 Telephone: (800) 945-8453 Fax: (740) 342-0025
 www.ludowici.com

SYSTEM:	NeXclad True
DETAIL #:	16rb
Description: HEAD SECTION DETAIL W/ CONT' RIGID STRUCTURAL INSULATION BOARD	
Building Construction:	Continuous Rigid Structural Insulation Board
Drawing Date:	04.23.2025
Scale:	6" = 1'-0"
Ludowici Reference #:	NeXclad True 16rb .

The information contained on this drawing is the property of Ludowici Roof Tile. Any use or reproduction in whole or in part without the express written permission of Ludowici Roof Tile is strictly prohibited. Ludowici Roof Tile, Inc. reserves the right to modify the configuration of item(s) shown without prior written notice.

© Ludowici Roof Tile, Inc. All Rights Reserved



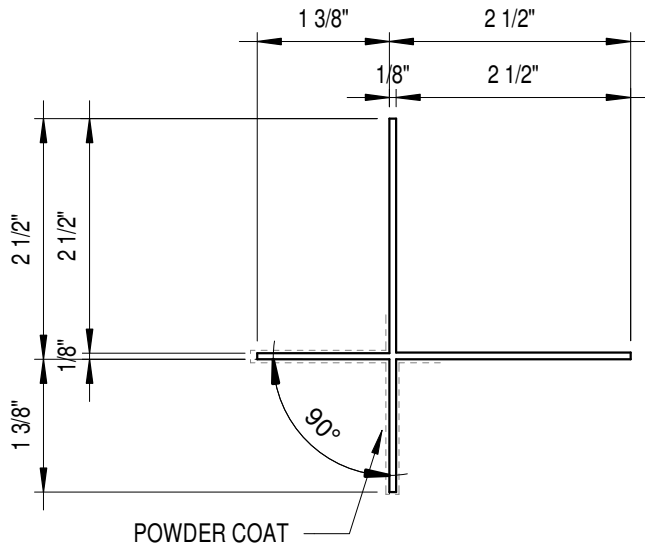
LUDOWICI[®]

Trusted. Timeless. Terra Cotta.

4757 Tile Plant Road
 New Lexington, Ohio 43764
 Telephone: (800) 945-8453 Fax: (740) 342-0025
 www.ludowici.com

SYSTEM:	NeXclad True
DETAIL #:	17rb
Description:	COPING SECTION DETAIL W/ CONT' RIGID INSULATION BOARD
Building Construction:	Continuous Rigid Structural Insulation Board
Drawing Date:	04.23.2025
Scale:	6" = 1'-0"
Ludowici Reference #:	NeXclad True 17rb.

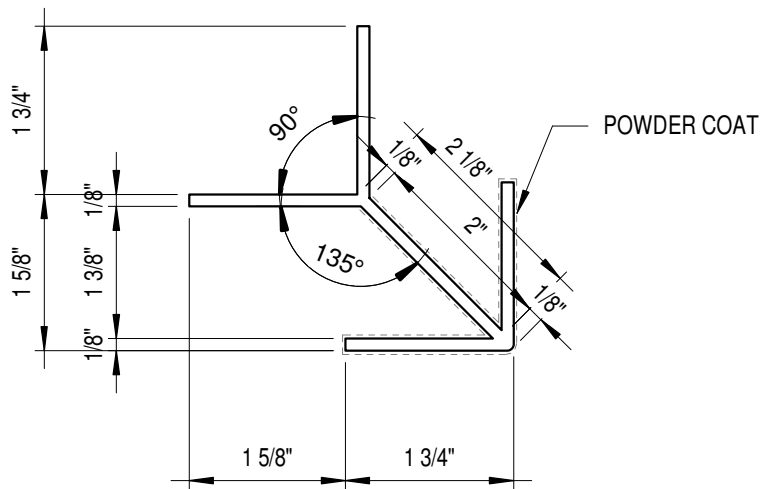
The information contained on this drawing is the property of Ludowici Roof Tile. Any use or reproduction in whole or in part without the express written permission of Ludowici Roof Tile is strictly prohibited. Ludowici Roof Tile, Inc. reserves the right to modify the configuration of item(s) shown without prior written notice.



4757 Tile Plant Road
 New Lexington, Ohio 43764
 Telephone: (800) 945-8453 Fax: (740) 342-0025
 www.ludowici.com

SYSTEM:	NeXclad True
DETAIL #:	20.1
Description: RE-ENTRANT TRIM - FABRICATION DIMENSIONS	
Building Construction:	
Drawing Date:	04.23.2025
Scale:	6" = 1'-0"
Ludowici Reference #:	NeXclad True 20.1 Designer

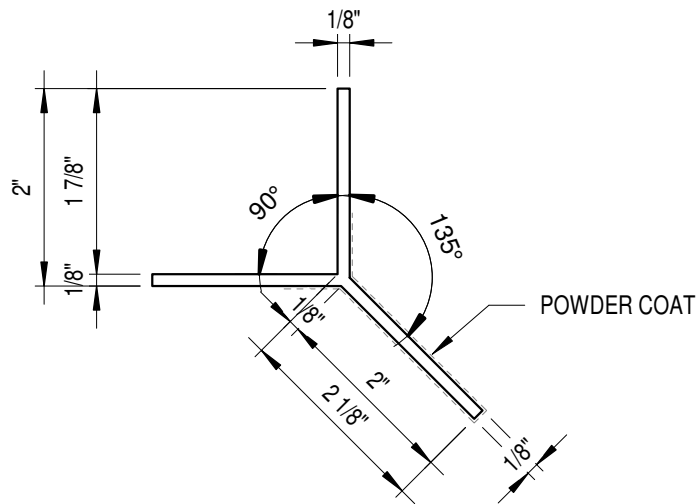
The information contained on this drawing is the property of Ludowici Roof Tile. Any use or reproduction in whole or in part without the express written permission of Ludowici Roof Tile is strictly prohibited. Ludowici Roof Tile, Inc. reserves the right to modify the configuration of item(s) shown without prior written notice.



4757 Tile Plant Road
 New Lexington, Ohio 43764
 Telephone: (800) 945-8453 Fax: (740) 342-0025
 www.ludowici.com

SYSTEM:	NeXclad True
DETAIL #:	20.2
Description: GREATER ARROW TRIM - FABRICATION DIMENSIONS	
Building Construction:	
Drawing Date:	03.19.2026
Scale:	6" = 1'-0"
Ludowici Reference #:	NeXclad True 20.2 Designer

The information contained on this drawing is the property of Ludowici Roof Tile. Any use or reproduction in whole or in part without the express written permission of Ludowici Roof Tile is strictly prohibited. Ludowici Roof Tile, Inc. reserves the right to modify the configuration of item(s) shown without prior written notice.

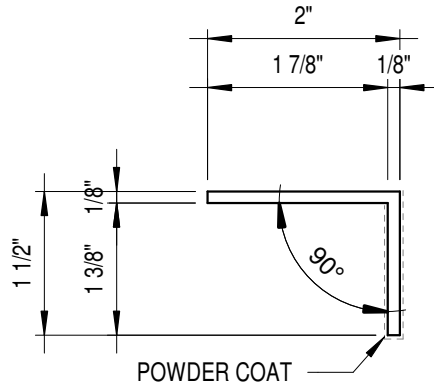



LUDOWICI[®]
Trusted. Timeless. Terra Cotta.

4757 Tile Plant Road
New Lexington, Ohio 43764
Telephone: (800) 945-8453 Fax: (740) 342-0025
www.ludowici.com

SYSTEM:	NeXclad True
DETAIL #:	20.3
Description: KNIFE TRIM - FABRICATION DIMENSIONS	
Building Construction:	
Drawing Date:	04.23.2025
Scale:	6" = 1'-0"
Ludowici Reference #:	NeXclad True 20.3 Designer

The information contained on this drawing is the property of Ludowici Roof Tile. Any use or reproduction in whole or in part without the express written permission of Ludowici Roof Tile is strictly prohibited. Ludowici Roof Tile, Inc. reserves the right to modify the configuration of item(s) shown without prior written notice.



Trusted. Timeless. Terra Cotta.

4757 Tile Plant Road
 New Lexington, Ohio 43764
 Telephone: (800) 945-8453 Fax: (740) 342-0025
 www.ludowici.com

SYSTEM:	NeXclad True
DETAIL #:	20.4
Description: L TRIM - FABRICATION DIMENSIONS	
Building Construction:	
Drawing Date:	04.23.2025
Scale:	6" = 1'-0"
Ludowici Reference #:	NeXclad True 20.4 Designer

The information contained on this drawing is the property of Ludowici Roof Tile. Any use or reproduction in whole or in part without the express written permission of Ludowici Roof Tile is strictly prohibited. Ludowici Roof Tile, Inc. reserves the right to modify the configuration of item(s) shown without prior written notice.