

NEXCLAD TRUE

P R O T O T Y P I C A L D E T A I L S



LUDOWICI®

PROTOTYPICAL DETAILS
KEY

P A G E O N E O F T W O



PROTOTYPICAL DETAILS
KEY

P A G E T W O O F T W O



3/16" LUDOWICI
DRAINAGE PLANE
MATERIAL. NOTE:
CORRUGATION OF
THE DRAINAGE MAT
TO FACE TOWARD
THE INSIDE OF THE
BUILDING, THE
FLEECE LINER
FACES THE OUTSIDE

AIR AND MOISTURE
BARRIER (NOT BY
LUDOWICI)

SCREWABLE
STRUCTURAL
SHEATHING BOARD
(NOT BY LUDOWICI)

EXTERIOR WALL
FRAMING (NOT BY
LUDOWICI)

(2) STAINLESS STEEL
FASTENER PER TILE
(TYP.)

LUDOWICI NEXCLAD
TRUE TERRACOTTA
TILE

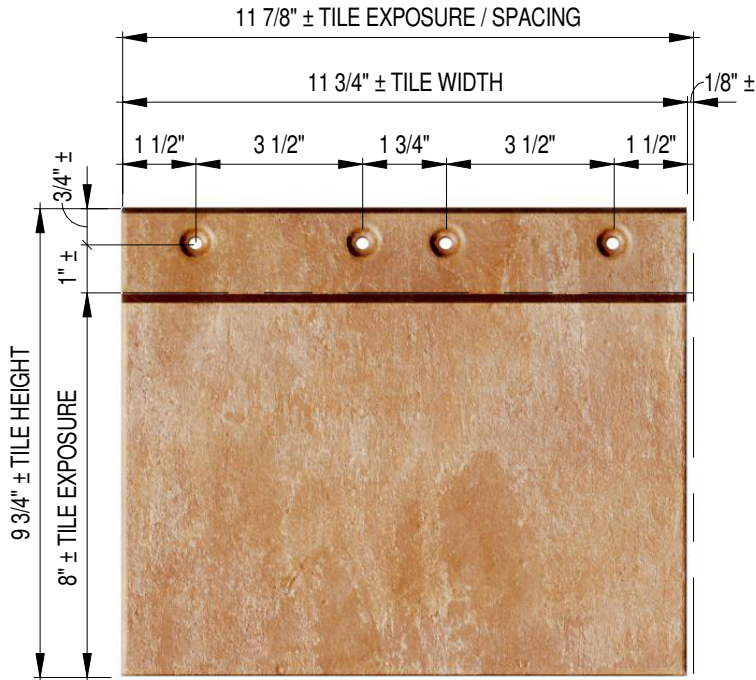



LUDOWICI[®]
Trusted. Timeless. Terra Cotta.

4757 Tile Plant Road
New Lexington, Ohio 43764
Telephone: (800) 945-8453 Fax: (740) 342-0025
www.ludowici.com

SYSTEM:	NeXclad True
DETAIL #:	0.3S
Description: SYSTEM COMPONENTS ISO	
Building Construction:	Stud Wall Framing
Drawing Date:	04.23.2025
Scale:	3" = 1'-0"
Ludowici Reference #:	NeXclad True 0.3S.

The information contained on this drawing is the property of Ludowici Roof Tile. Any use or reproduction in whole or in part without the express written permission of Ludowici Roof Tile is strictly prohibited. Ludowici Roof Tile, Inc. reserves the right to modify the configuration of item(s) shown without prior written notice.



FRONT



ISO



TOP



RIGHT

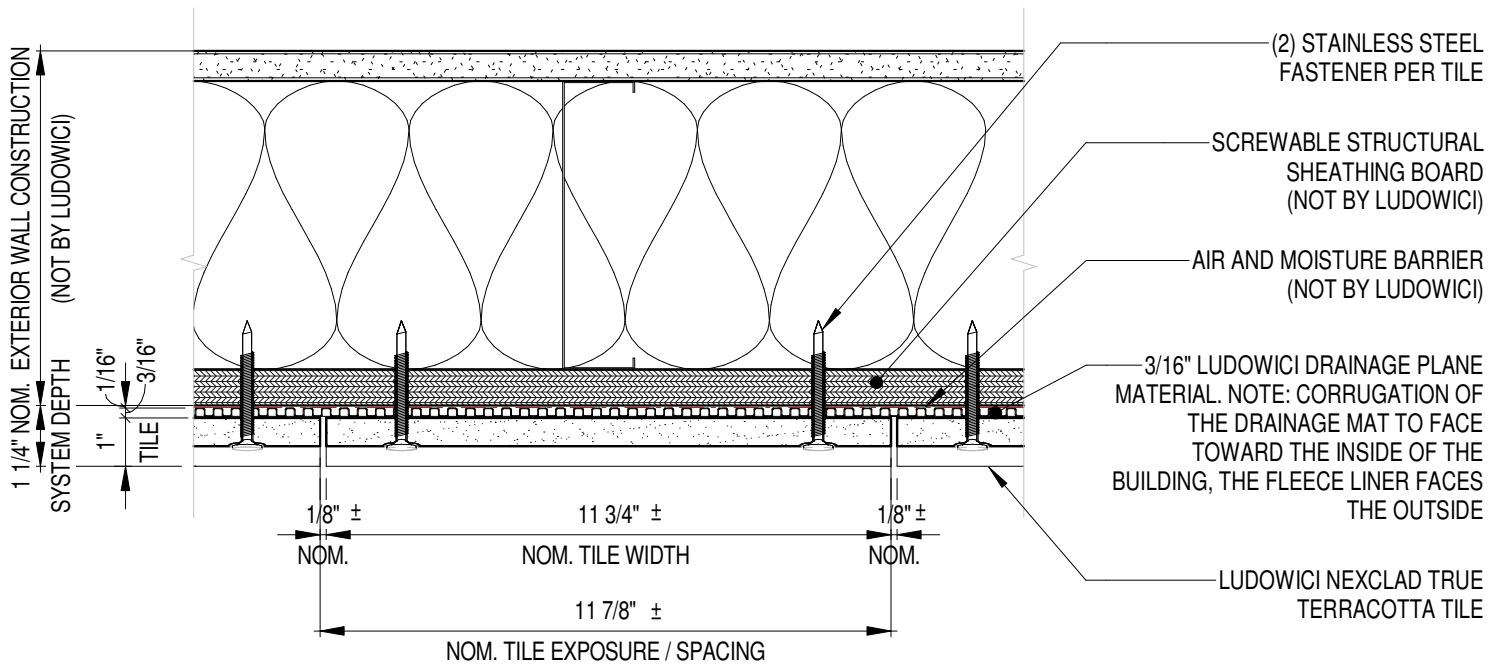
NOTE: CLAY TILE MANUFACTURING STANDARD C1167
 ALLOWS FOR A +/-5% DIMENSIONAL DEVIATION FROM
 PUBLISHED STANDARDS


LUDOWICI[®]
Trusted. Timeless. Terra Cotta.

4757 Tile Plant Road
 New Lexington, Ohio 43764
 Telephone: (800) 945-8453 Fax: (740) 342-0025
 www.ludowici.com

SYSTEM:	NeXclad True
DETAIL #:	0.4
Description: NEXCLAD TRUE TILE DIMENTIONS	
Building Construction:	
Drawing Date:	04.23.2025
Scale:	3" = 1'-0"
Ludowici Reference #:	NeXclad True 0.4 .

The information contained on this drawing is the property of Ludowici Roof Tile. Any use or reproduction in whole or in part without the express written permission of Ludowici Roof Tile is strictly prohibited. Ludowici Roof Tile, Inc. reserves the right to modify the configuration of item(s) shown without prior written notice.



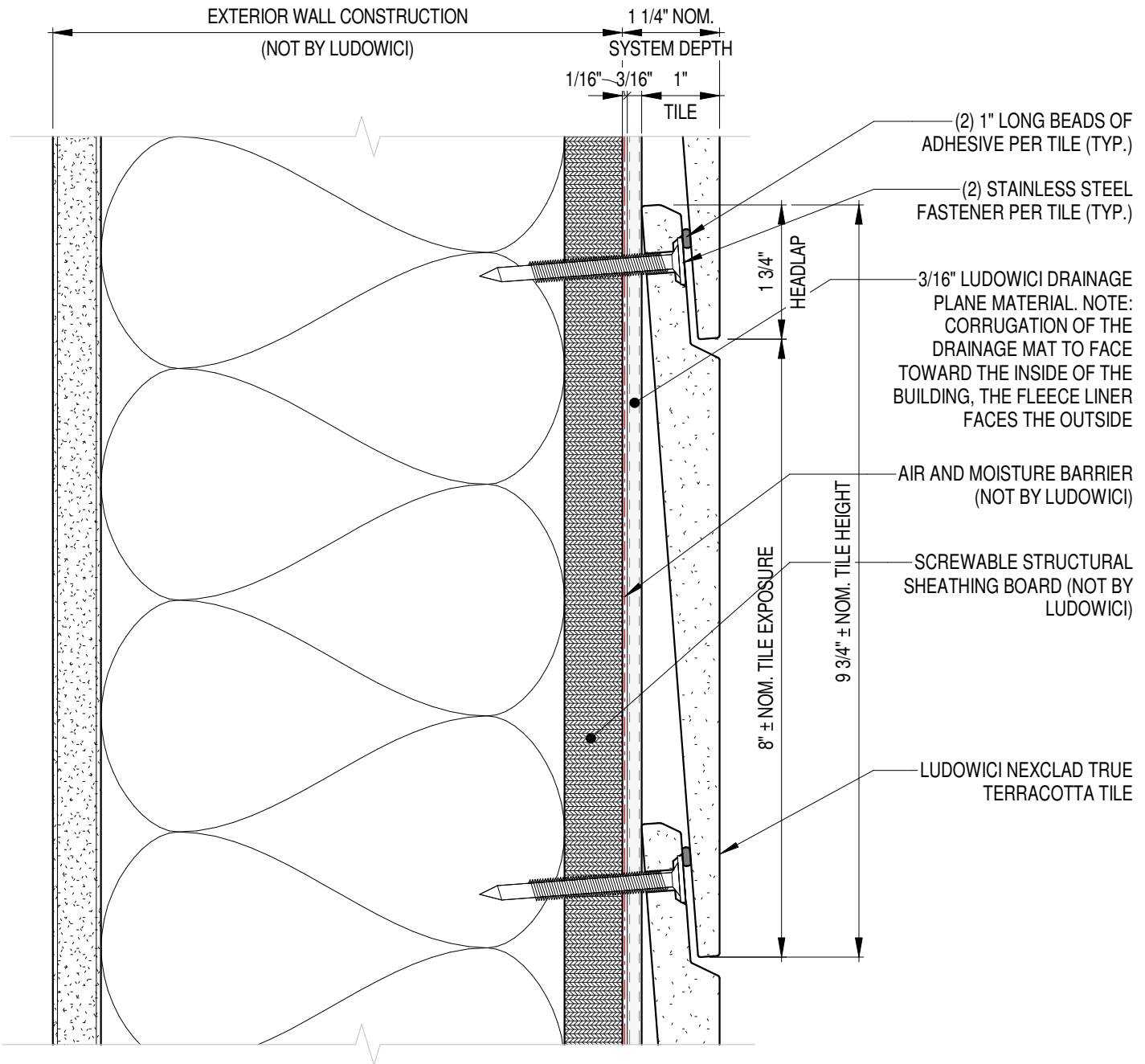
GENERAL NOTES:

- A. EXTERIOR WALL FRAMING MAY BE COLD-FORMED METAL FRAMING (AS SHOWN) OR WOOD STUD FRAMING.
- B. CONDITIONS OF CONSTRUCTION SHOULD BE CONSIDERED WHEN SELECTING SCREWABLE STRUCTURAL SHEATHING BOARD



4757 Tile Plant Road
 New Lexington, Ohio 43764
 Telephone: (800) 945-8453 Fax: (740) 342-0025
 www.ludowici.com

SYSTEM:	NeXclad True
DETAIL #:	1S
Description: HORIZONTAL MODULE PLAN DETAIL	
Building Construction:	Stud Wall Framing
Drawing Date:	04.23.2025
Scale:	3" = 1'-0"
Ludowici Reference #:	NeXclad True 1s Designer



GENERAL NOTES:

- A. EXTERIOR WALL FRAMING MAY BE COLD-FORMED METAL FRAMING (AS SHOWN) OR WOOD STUD FRAMING.
- B. CONDITIONS OF CONSTRUCTION SHOULD BE CONSIDERED WHEN SELECTING SCREWABLE STRUCTURAL SHEATHING BOARD


LUDOWICI[®]
Trusted. Timeless. Terra Cotta.

4757 Tile Plant Road
New Lexington, Ohio 43764
Telephone: (800) 945-8453 Fax: (740) 342-0025
www.ludowici.com

SYSTEM:	NeXclad True
DETAIL #:	2S
Description: TYPICAL WALL SECTION DETAIL	
Building Construction:	Stud Wall Framing
Drawing Date:	04.23.2025
Scale:	6" = 1'-0"
Ludowici Reference #:	NeXclad True 2s.





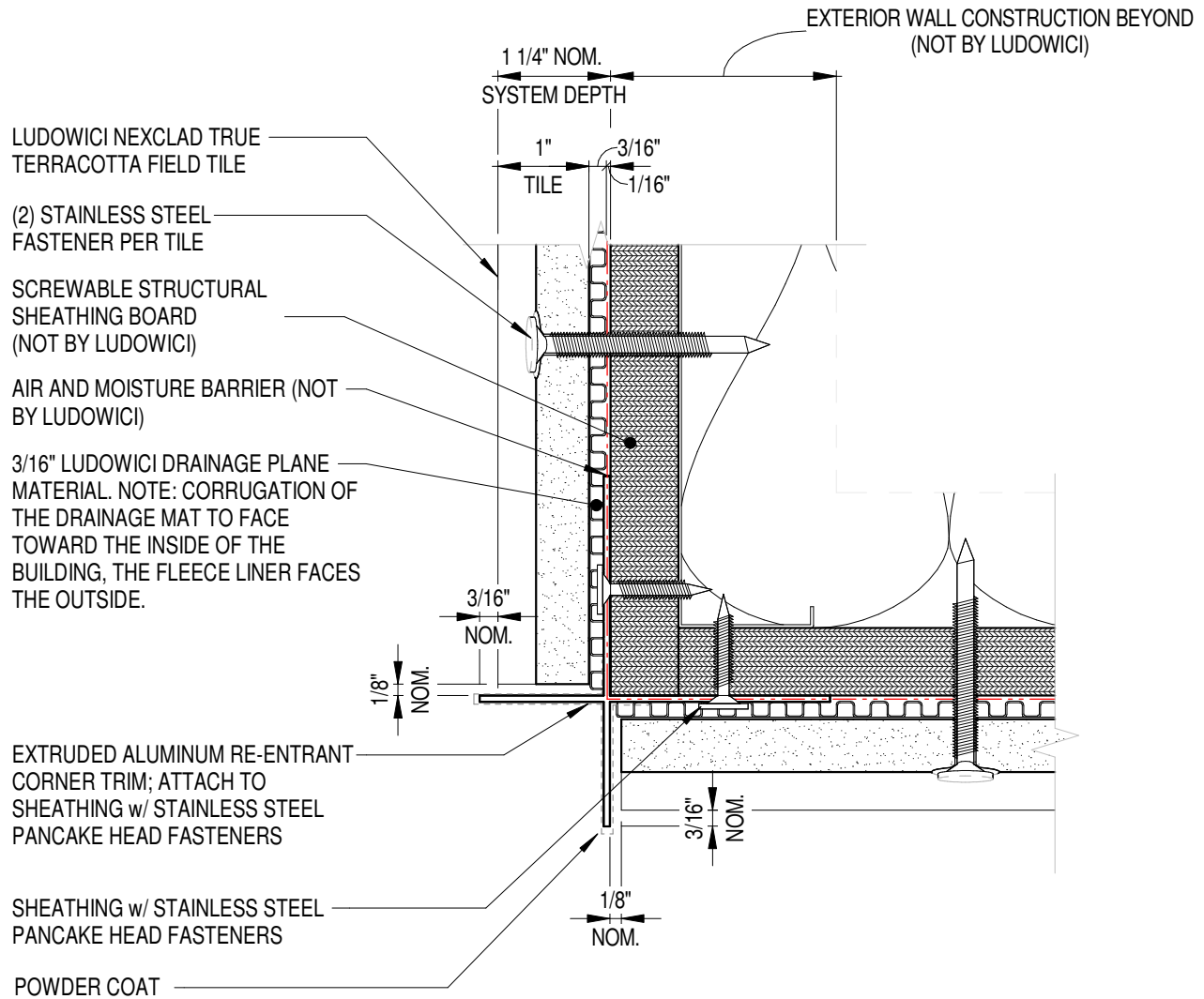
LUDOWICI[®]

Trusted. Timeless. Terra Cotta.

4757 Tile Plant Road
 New Lexington, Ohio 43764
 Telephone: (800) 945-8453 Fax: (740) 342-0025
www.ludowici.com

SYSTEM:	NeXclad True
DETAIL #:	4axo
Description: EXTERNAL CORNER - RE-ENTRANT METAL TRIM - AXONOMETRIC	
Building Construction:	Stud Wall Framing
Drawing Date:	04.23.2025
Scale:	
Ludowici Reference #:	NeXclad True 4axo .

The information contained on this drawing is the property of Ludowici Roof Tile. Any use or reproduction in whole or in part without the express written permission of Ludowici Roof Tile is strictly prohibited. Ludowici Roof Tile, Inc. reserves the right to modify the configuration of item(s) shown without prior written notice.



GENERAL NOTES:

- A. EXTERIOR WALL FRAMING MAY BE COLD-FORMED METAL FRAMING (AS SHOWN) OR WOOD STUD FRAMING.
- B. CONDITIONS OF CONSTRUCTION SHOULD BE CONSIDERED WHEN SELECTING SCREWABLE STRUCTURAL SHEATHING BOARD



4757 Tile Plant Road
 New Lexington, Ohio 43764
 Telephone: (800) 945-8453 Fax: (740) 342-0025
 www.ludowici.com

SYSTEM:	NeXclad True
DETAIL #:	4S
Description: EXTERNAL CORNER - RE-ENTRANT METAL TRIM	
Building Construction:	Stud Wall Framing
Drawing Date:	04.23.2025
Scale:	6" = 1'-0"
Ludowici Reference #:	NeXclad True 4s .





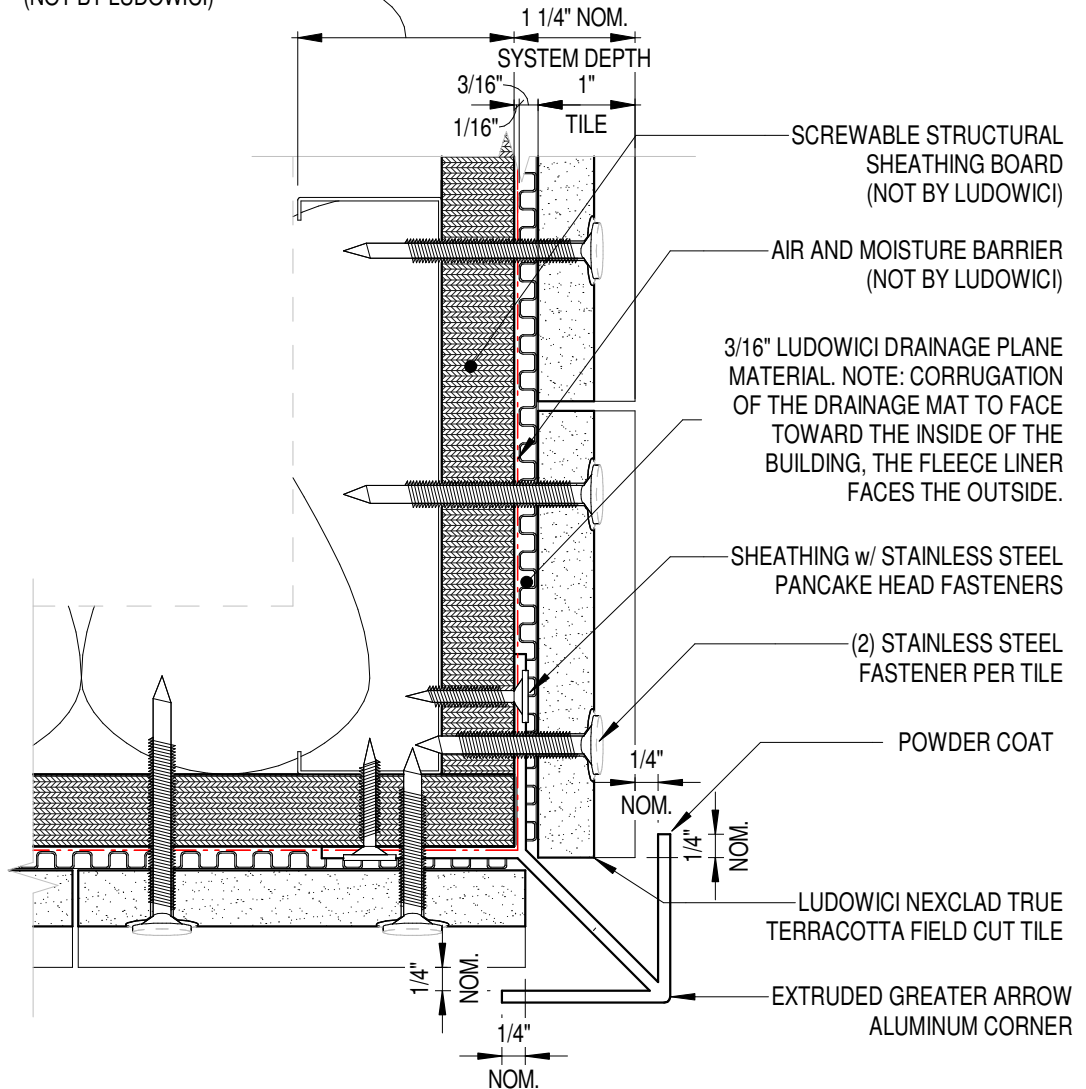
Trusted. Timeless. Terra Cotta.

4757 Tile Plant Road
New Lexington, Ohio 43764
Telephone: (800) 945-8453 Fax: (740) 342-0025
www.ludowici.com

SYSTEM:	NeXclad True
DETAIL #:	5axo
Description: EXTERNAL CORNER - GREATER ARROW CORNER METAL TRIM - AXONOMETRIC	
Building Construction:	Stud Wall Framing
Drawing Date:	04.23.2025
Scale:	
Ludowici Reference #:	NeXclad True 5axo Designer

The information contained on this drawing is the property of Ludowici Roof Tile. Any use or reproduction in whole or in part without the express written permission of Ludowici Roof Tile is strictly prohibited. Ludowici Roof Tile, Inc. reserves the right to modify the configuration of item(s) shown without prior written notice.

EXTERIOR WALL CONSTRUCTION BEYOND
(NOT BY LUDOWICI)



GENERAL NOTES:

- A. EXTERIOR WALL FRAMING MAY BE COLD-FORMED METAL FRAMING (AS SHOWN) OR WOOD STUD FRAMING.
- B. CONDITIONS OF CONSTRUCTION SHOULD BE CONSIDERED WHEN SELECTING SCREWABLE STRUCTURAL SHEATHING BOARD



4757 Tile Plant Road
New Lexington, Ohio 43764
Telephone: (800) 945-8453 Fax: (740) 342-0025
www.ludowici.com

SYSTEM:	NeXclad True
DETAIL #:	5s
Description:	EXTERNAL CORNER - GREATER ARROW CORNER METAL TRIM
Building Construction:	Stud Wall Framing
Drawing Date:	04.23.2025
Scale:	6" = 1'-0"
Ludowici Reference #:	NeXclad True 5s Designer

The information contained on this drawing is the property of Ludowici Roof Tile. Any use or reproduction in whole or in part without the express written permission of Ludowici Roof Tile is strictly prohibited. Ludowici Roof Tile, Inc. reserves the right to modify the configuration of item(s) shown without prior written notice.





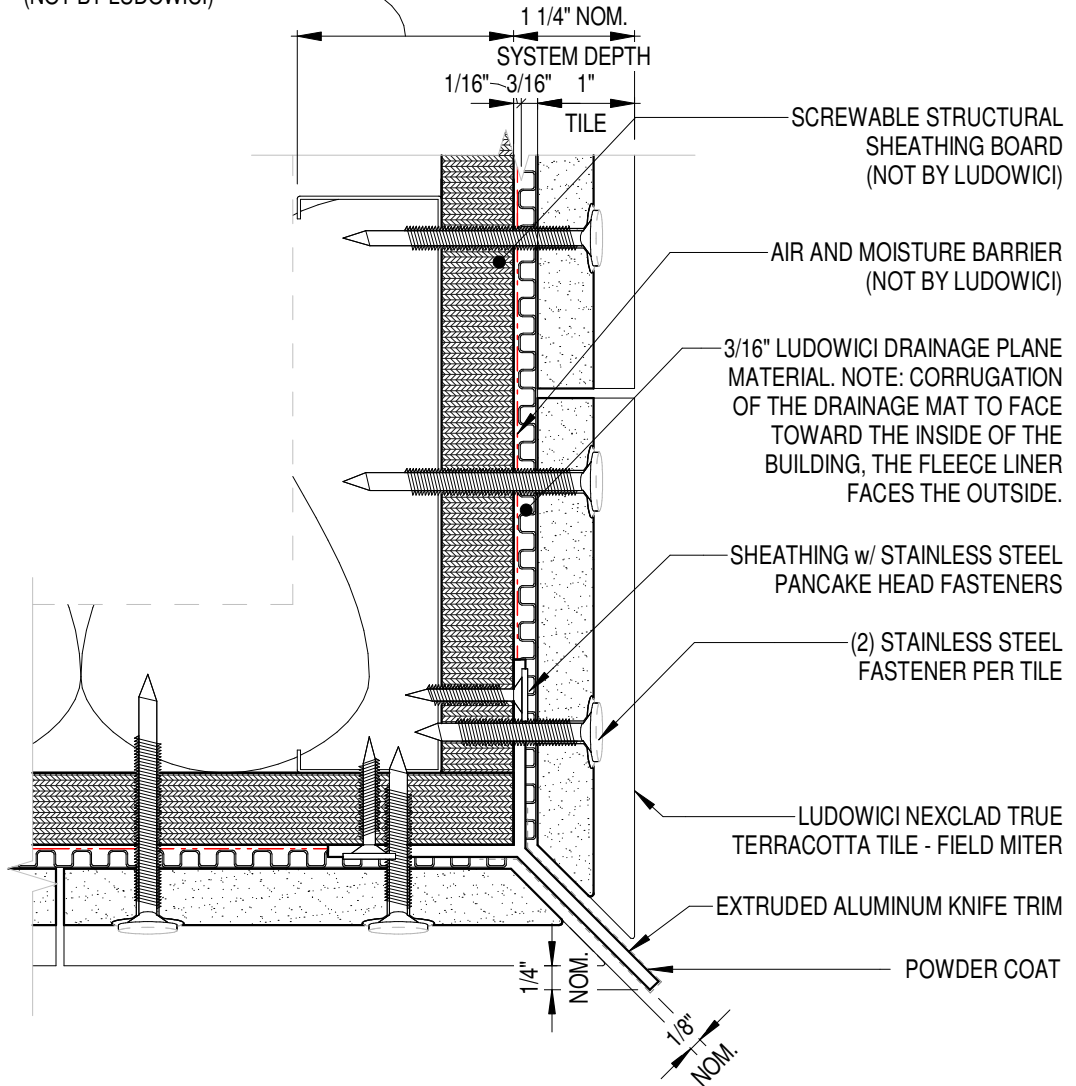
Trusted. Timeless. Terra Cotta.

4757 Tile Plant Road
New Lexington, Ohio 43764
Telephone: (800) 945-8453 Fax: (740) 342-0025
www.ludowici.com

SYSTEM:	NeXclad True
DETAIL #:	7axo
Description: EXTERNAL CORNER - KNIFE CORNER METAL TRIM - AXONOMETRIC	
Building Construction:	Stud Wall Framing
Drawing Date:	04.23.2025
Scale:	
Ludowici Reference #:	NeXclad True 7axo Designer

The information contained on this drawing is the property of Ludowici Roof Tile. Any use or reproduction in whole or in part without the express written permission of Ludowici Roof Tile is strictly prohibited. Ludowici Roof Tile, Inc. reserves the right to modify the configuration of item(s) shown without prior written notice.

EXTERIOR WALL CONSTRUCTION BEYOND
(NOT BY LUDOWICI)



GENERAL NOTES:

- A. EXTERIOR WALL FRAMING MAY BE COLD-FORMED METAL FRAMING (AS SHOWN) OR WOOD STUD FRAMING.
- B. CONDITIONS OF CONSTRUCTION SHOULD BE CONSIDERED WHEN SELECTING SCREWABLE STRUCTURAL SHEATHING BOARD



4757 Tile Plant Road
New Lexington, Ohio 43764
Telephone: (800) 945-8453 Fax: (740) 342-0025
www.ludowici.com

SYSTEM:	NeXclad True
DETAIL #:	7s
Description: EXTERNAL CORNER - KNIFE CORNER METAL TRIM	
Building Construction:	Stud Wall Framing
Drawing Date:	04.23.2025
Scale:	6" = 1'-0"
Ludowici Reference #:	NeXclad True 7s Designer

The information contained on this drawing is the property of Ludowici Roof Tile. Any use or reproduction in whole or in part without the express written permission of Ludowici Roof Tile is strictly prohibited. Ludowici Roof Tile, Inc. reserves the right to modify the configuration of item(s) shown without prior written notice.




LUDOWICI[®]
Trusted. Timeless. Terra Cotta.

4757 Tile Plant Road
 New Lexington, Ohio 43764
 Telephone: (800) 945-8453 Fax: (740) 342-0025
www.ludowici.com

SYSTEM: NeXclad True

DETAIL #: 9axo

Description: EXTERNAL CORNER - FLUSH SHIPLAP CORNER TILE - AXONOMETRIC

Building Construction: Stud Wall Framing

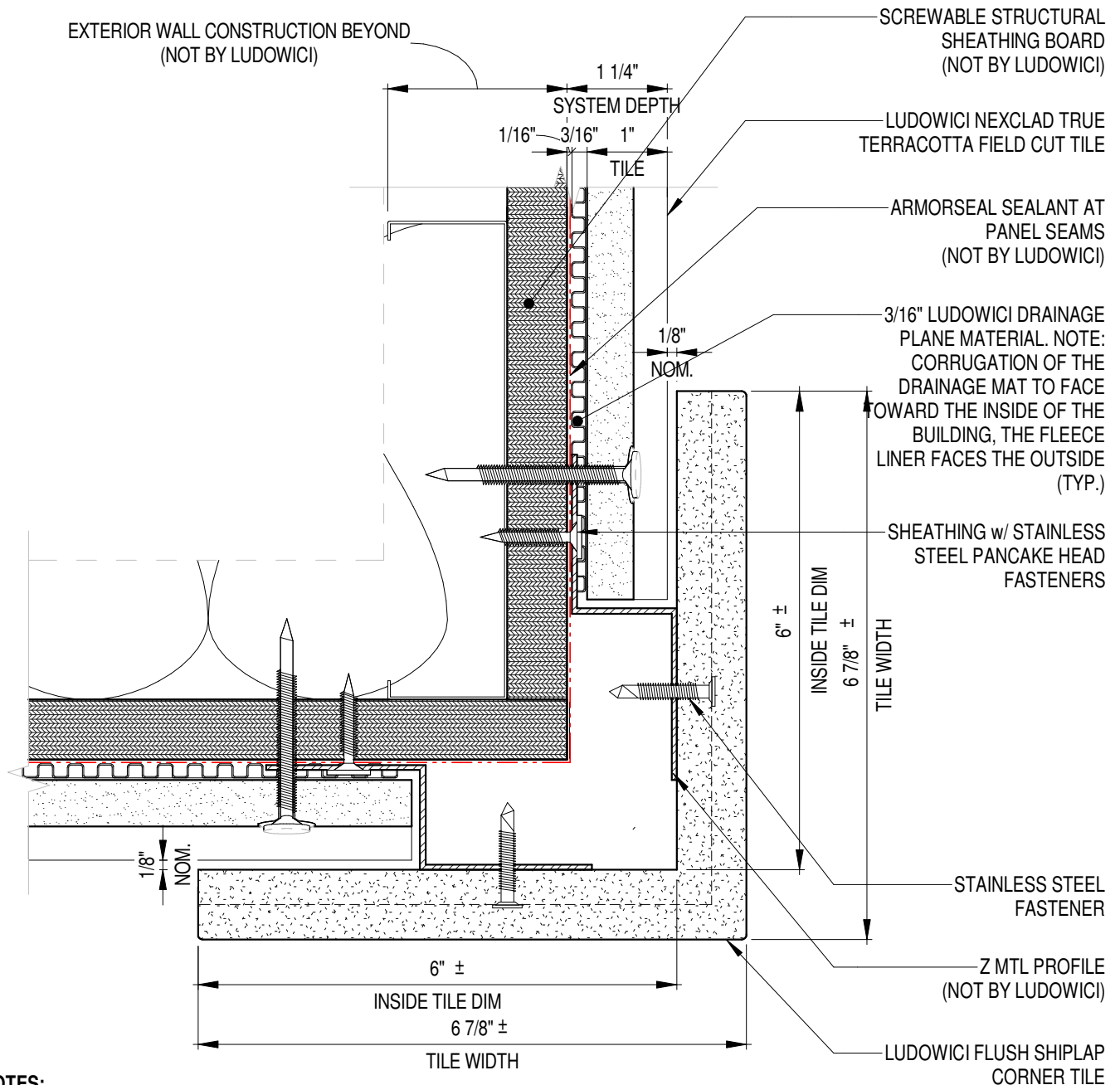
Drawing Date: 04.23.2025

Scale:

Ludowici Reference #: NeXclad True 9axo Designer

The information contained on this drawing is the property of Ludowici Roof Tile. Any use or reproduction in whole or in part without the express written permission of Ludowici Roof Tile is strictly prohibited. Ludowici Roof Tile, Inc. reserves the right to modify the configuration of item(s) shown without prior written notice.

© Ludowici Roof Tile, Inc. All Rights Reserved



GENERAL NOTES:

- A. EXTERIOR WALL FRAMING MAY BE COLD-FORMED METAL FRAMING (AS SHOWN) OR WOOD STUD FRAMING.
- B. CONDITIONS OF CONSTRUCTION SHOULD BE CONSIDERED WHEN SELECTING SCREWABLE STRUCTURAL SHEATHING BOARD

±

LUDOWICI[®]

Trusted. Timeless. Terra Cotta.

4757 Tile Plant Road
 New Lexington, Ohio 43764
 Telephone: (800) 945-8453 Fax: (740) 342-0025
 www.ludowici.com

SYSTEM:	NeXclad True
DETAIL #:	9s
Description:	EXTERNAL CORNER - FLUSH SHIPLAP CORNER TILE
Building Construction:	Stud Wall Framing
Drawing Date:	04.23.2025
Scale:	6" = 1'-0"
Ludowici Reference #:	NeXclad True 9s Designer



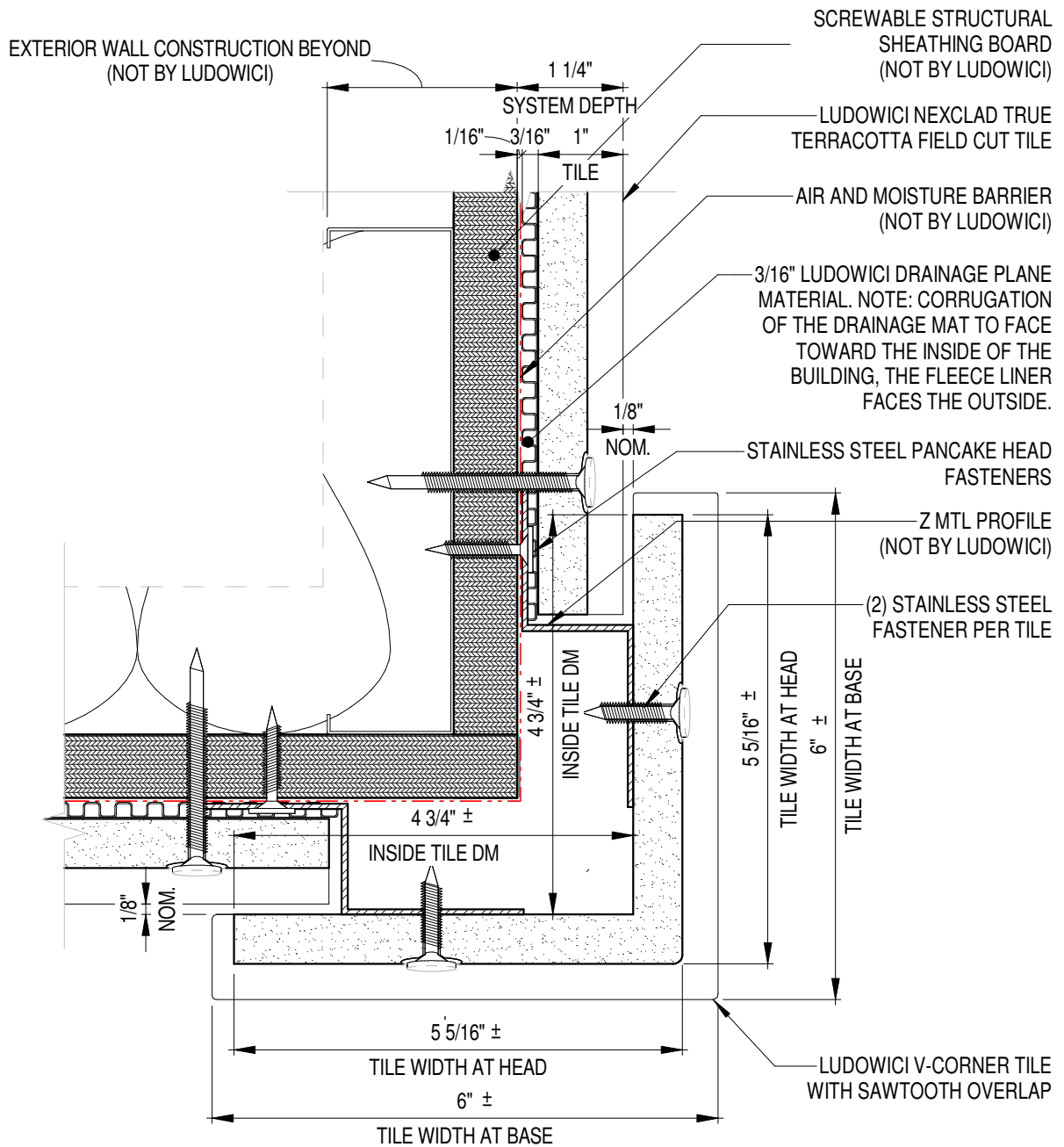
Trusted. Timeless. Terra Cotta.

4757 Tile Plant Road
 New Lexington, Ohio 43764
 Telephone: (800) 945-8453 Fax: (740) 342-0025
 www.ludowici.com

SYSTEM:	NeXclad True
DETAIL #:	10axo
Description: EXTERNAL CORNER - 'V' CORNER TILE - AXONOMETRIC	
Building Construction:	Stud Wall Framing
Drawing Date:	04.23.2025
Scale:	
Ludowici Reference #:	NeXclad True 10axo Designer

The information contained on this drawing is the property of Ludowici Roof Tile. Any use or reproduction in whole or in part without the express written permission of Ludowici Roof Tile is strictly prohibited. Ludowici Roof Tile, Inc. reserves the right to modify the configuration of item(s) shown without prior written notice.

© Ludowici Roof Tile, Inc. All Rights Reserved



GENERAL NOTES:

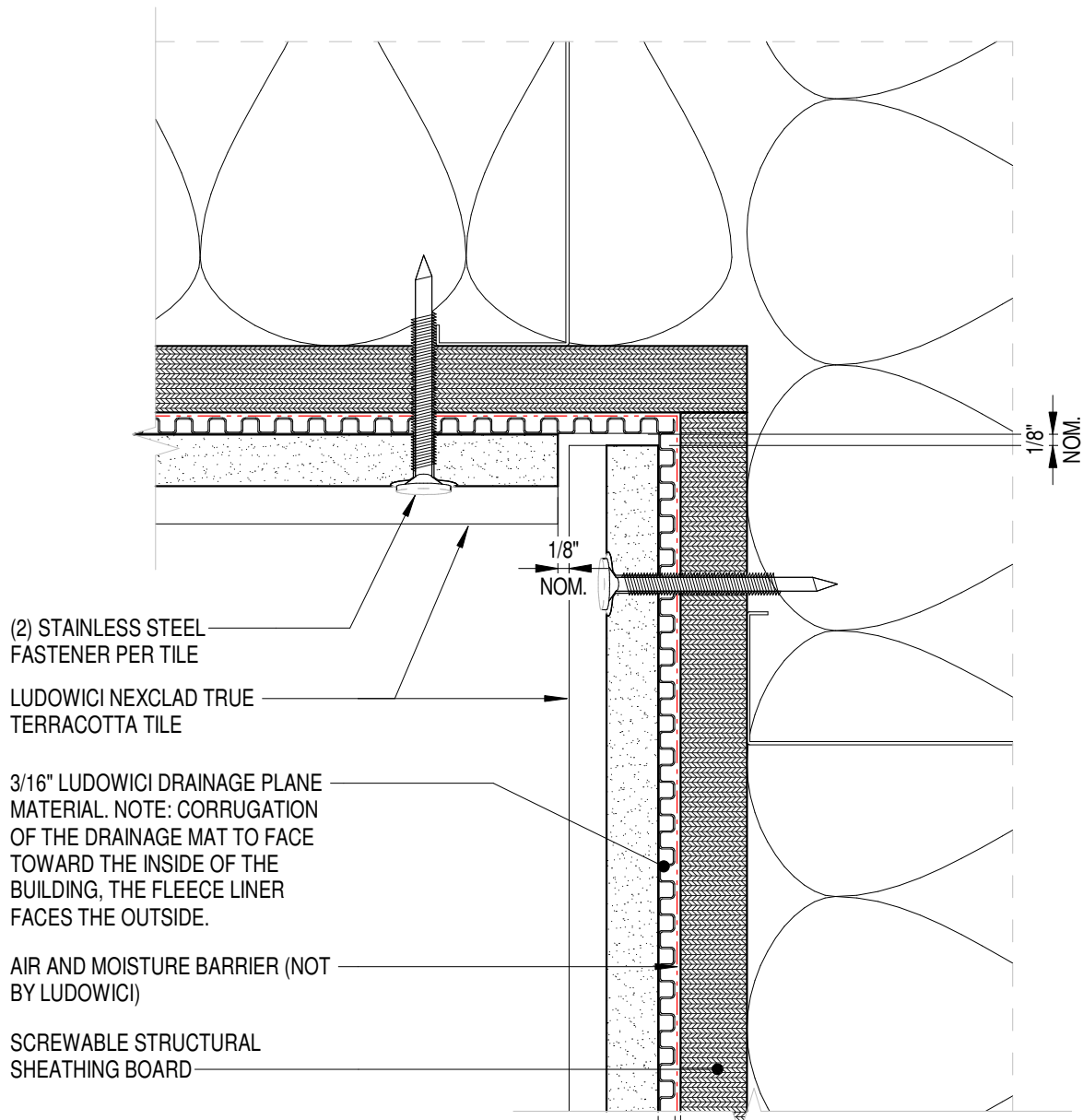
- A. EXTERIOR WALL FRAMING MAY BE COLD-FORMED METAL FRAMING (AS SHOWN) OR WOOD STUD FRAMING.
- B. CONDITIONS OF CONSTRUCTION SHOULD BE CONSIDERED WHEN SELECTING SCREWABLE STRUCTURAL SHEATHING BOARD



4757 Tile Plant Road
 New Lexington, Ohio 43764
 Telephone: (800) 945-8453 Fax: (740) 342-0025
 www.ludowici.com

SYSTEM:	NeXclad True
DETAIL #:	10S
Description: EXTERNAL CORNER - 'V' CORNER TILE	
Building Construction:	Stud Wall Framing
Drawing Date:	04.23.2025
Scale:	6" = 1'-0"
Ludowici Reference #:	NeXclad True 10s Designer

The information contained on this drawing is the property of Ludowici Roof Tile. Any use or reproduction in whole or in part without the express written permission of Ludowici Roof Tile is strictly prohibited. Ludowici Roof Tile, Inc. reserves the right to modify the configuration of item(s) shown without prior written notice.



(2) STAINLESS STEEL FASTENER PER TILE

LUDOWICI NEXCLAD TRUE TERRACOTTA TILE

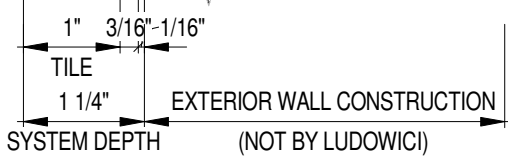
3/16" LUDOWICI DRAINAGE PLANE MATERIAL. NOTE: CORRUGATION OF THE DRAINAGE MAT TO FACE TOWARD THE INSIDE OF THE BUILDING, THE FLEECE LINER FACES THE OUTSIDE.

AIR AND MOISTURE BARRIER (NOT BY LUDOWICI)

SCREWABLE STRUCTURAL SHEATHING BOARD

GENERAL NOTES:

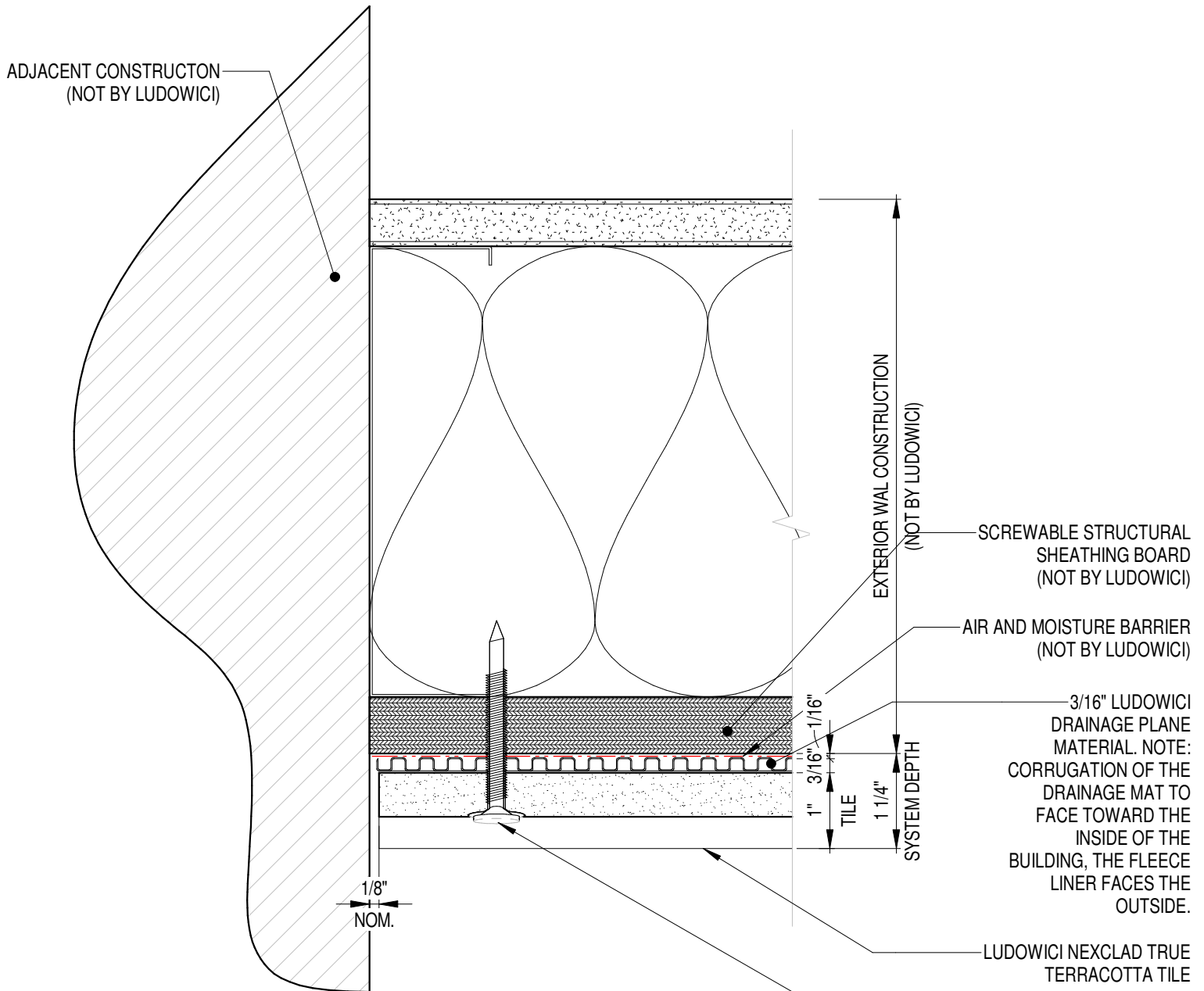
- A. EXTERIOR WALL FRAMING MAY BE COLD-FORMED METAL FRAMING (AS SHOWN) OR WOOD STUD FRAMING.
- B. CONDITIONS OF CONSTRUCTION SHOULD BE CONSIDERED WHEN SELECTING NAILABLE WALL SHEATHING



4757 Tile Plant Road
 New Lexington, Ohio 43764
 Telephone: (800) 945-8453 Fax: (740) 342-0025
 www.ludowici.com

SYSTEM:	NeXclad True
DETAIL #:	11S
Description: INTERNAL CORNER PLAN DETAIL	
Building Construction:	Stud Wall Framing
Drawing Date:	04.23.2025
Scale:	6" = 1'-0"
Ludowici Reference #:	NeXclad True 11s .

The information contained on this drawing is the property of Ludowici Roof Tile. Any use or reproduction in whole or in part without the express written permission of Ludowici Roof Tile is strictly prohibited. Ludowici Roof Tile, Inc. reserves the right to modify the configuration of item(s) shown without prior written notice.



GENERAL NOTES:

- A. EXTERIOR WALL FRAMING MAY BE COLD-FORMED METAL FRAMING (AS SHOWN) OR WOOD STUD FRAMING.
- B. CONDITIONS OF CONSTRUCTION SHOULD BE CONSIDERED WHEN SELECTING SCREWABLE STRUCTURAL SHEATHING BOARD

3/16" LUDOWICI DRAINAGE PLANE MATERIAL. NOTE: CORRUGATION OF THE DRAINAGE MAT TO FACE TOWARD THE INSIDE OF THE BUILDING, THE FLEECE LINER FACES THE OUTSIDE.

(2) STAINLESS STEEL FASTENER PER TILE

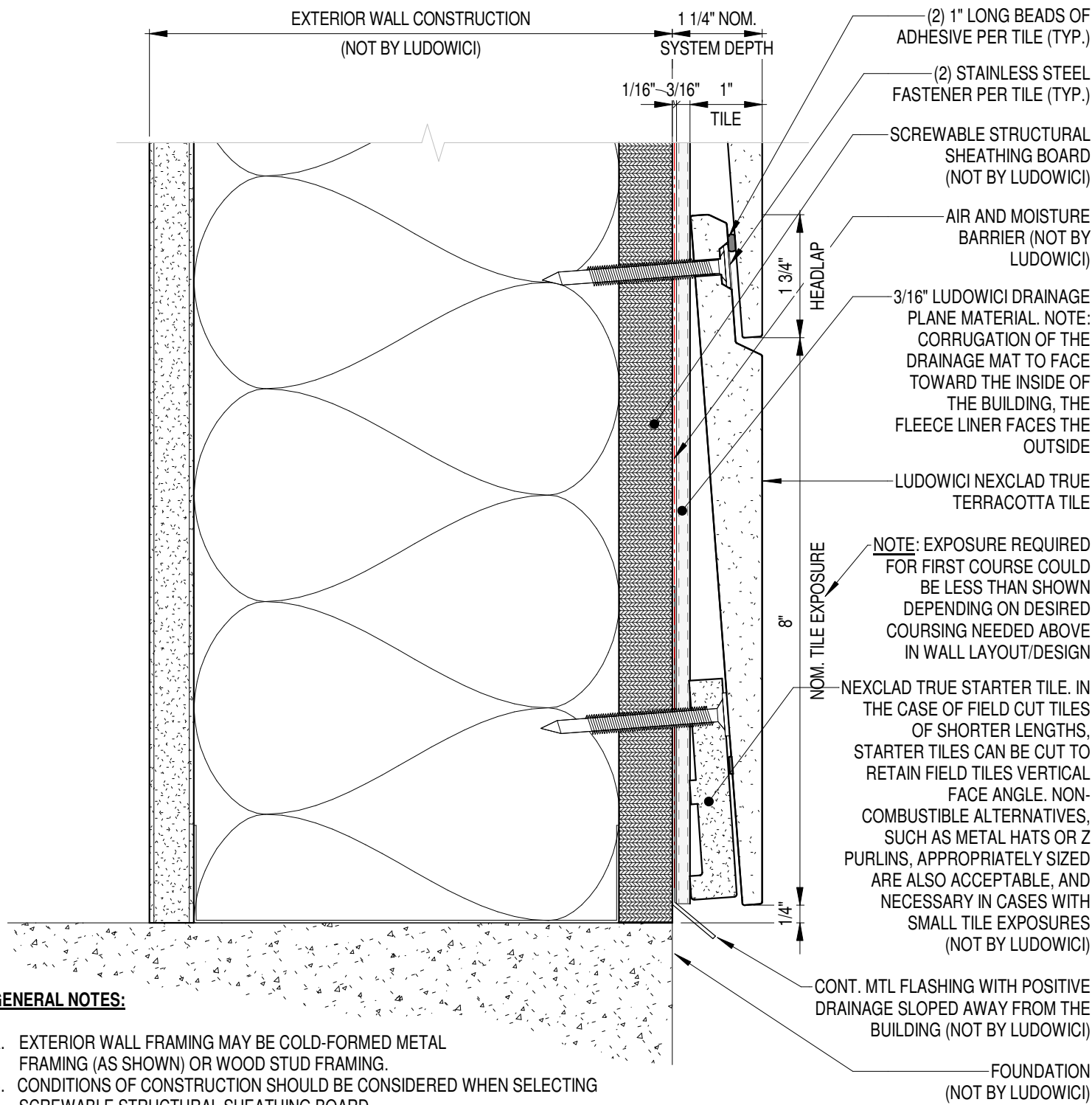
LUDOWICI[®]

Trusted. Timeless. Terra Cotta.

4757 Tile Plant Road
 New Lexington, Ohio 43764
 Telephone: (800) 945-8453 Fax: (740) 342-0025
 www.ludowici.com

SYSTEM:	NeXclad True
DETAIL #:	12S
Description: WALL TERMINATION PLAN DETAIL	
Building Construction:	Stud Wall Framing
Drawing Date:	04.23.2025
Scale:	6" = 1'-0"
Ludowici Reference #:	NeXclad True 12S .

The information contained on this drawing is the property of Ludowici Roof Tile. Any use or reproduction in whole or in part without the express written permission of Ludowici Roof Tile is strictly prohibited. Ludowici Roof Tile, Inc. reserves the right to modify the configuration of item(s) shown without prior written notice.



GENERAL NOTES:

- A. EXTERIOR WALL FRAMING MAY BE COLD-FORMED METAL FRAMING (AS SHOWN) OR WOOD STUD FRAMING.
- B. CONDITIONS OF CONSTRUCTION SHOULD BE CONSIDERED WHEN SELECTING SCREWABLE STRUCTURAL SHEATHING BOARD

LUDOWICI[®]

Trusted. Timeless. Terra Cotta.

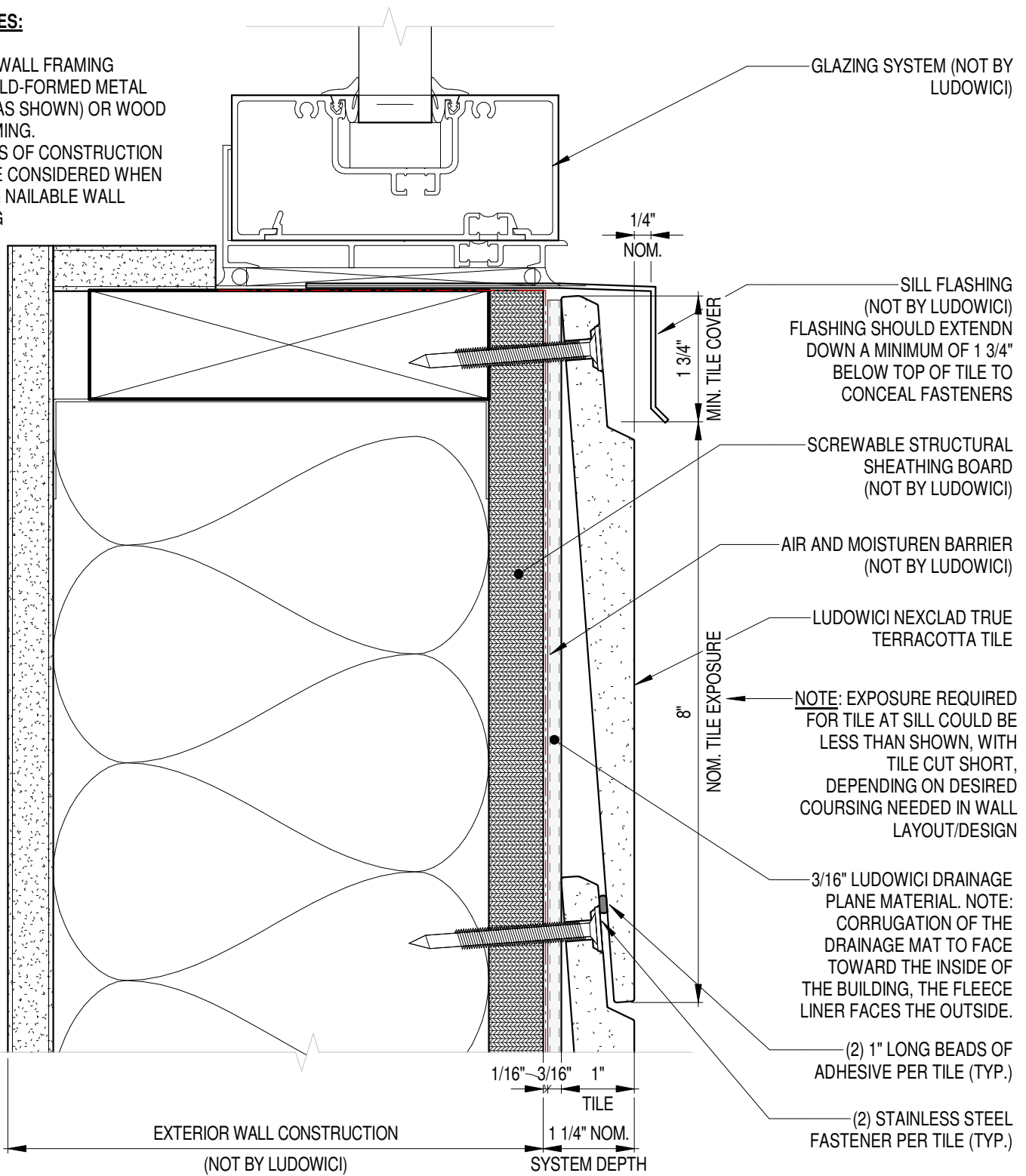
4757 Tile Plant Road
 New Lexington, Ohio 43764
 Telephone: (800) 945-8453 Fax: (740) 342-0025
 www.ludowici.com

SYSTEM:	NeXclad True
DETAIL #:	13s
Description: BASE OF WALL SECTION DETAIL	
Building Construction:	Stud Wall Framing
Drawing Date:	04.23.2025
Scale:	6" = 1'-0"
Ludowici Reference #:	NeXclad True 13s .

The information contained on this drawing is the property of Ludowici Roof Tile. Any use or reproduction in whole or in part without the express written permission of Ludowici Roof Tile is strictly prohibited. Ludowici Roof Tile, Inc. reserves the right to modify the configuration of item(s) shown without prior written notice.

GENERAL NOTES:

- A. EXTERIOR WALL FRAMING MAY BE COLD-FORMED METAL FRAMING (AS SHOWN) OR WOOD STUD FRAMING.
- B. CONDITIONS OF CONSTRUCTION SHOULD BE CONSIDERED WHEN SELECTING NAILABLE WALL SHEATHING



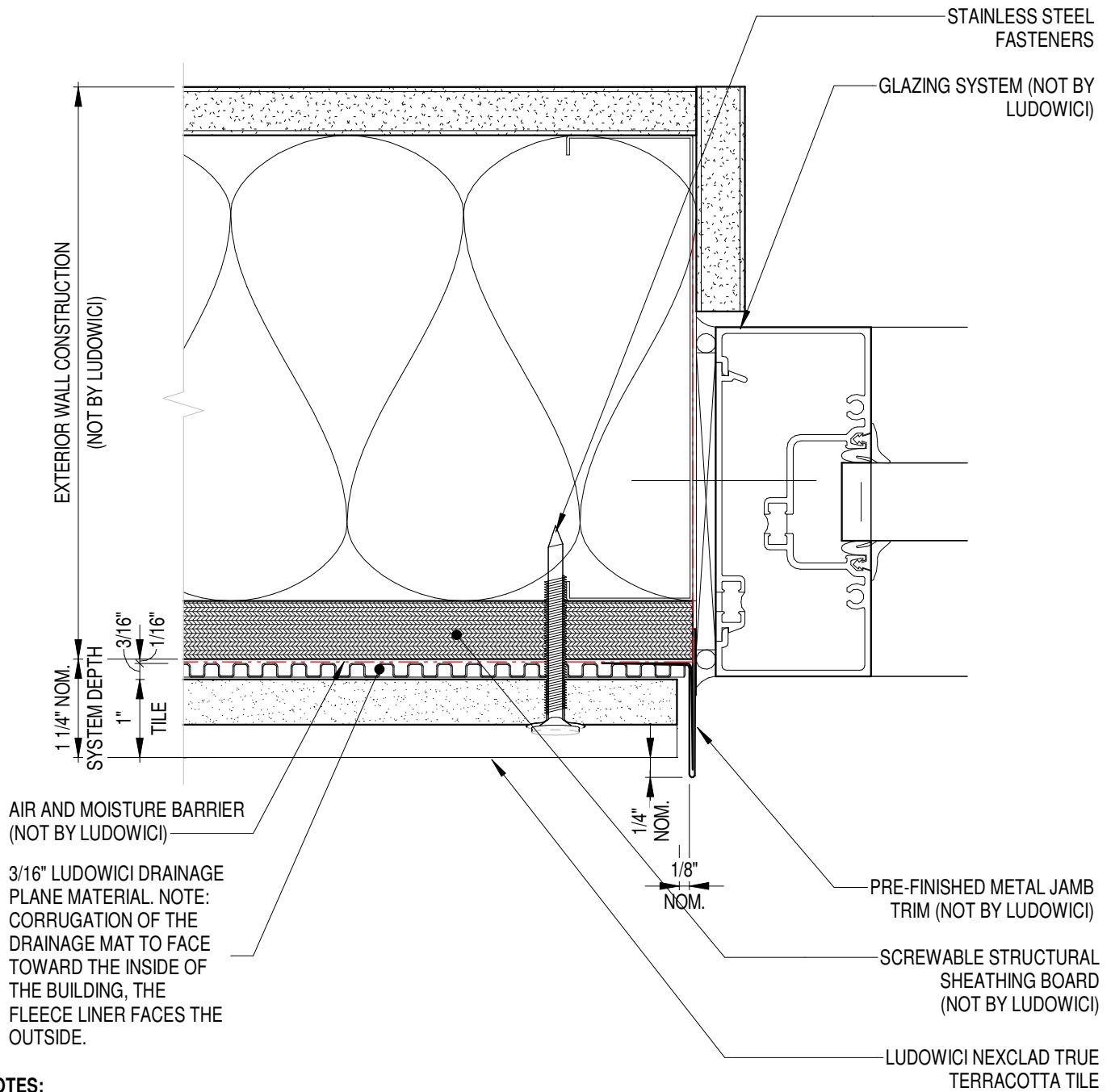
LUDOWICI[®]

Trusted. Timeless. Terra Cotta.

4757 Tile Plant Road
 New Lexington, Ohio 43764
 Telephone: (800) 945-8453 Fax: (740) 342-0025
 www.ludowici.com

SYSTEM:	NeXclad True
DETAIL #:	14S
Description: SILL SECTION DETAIL	
Building Construction:	Stud Wall Framing
Drawing Date:	04.23.2025
Scale:	6" = 1'-0"
Ludowici Reference #:	NeXclad True 14S .

The information contained on this drawing is the property of Ludowici Roof Tile. Any use or reproduction in whole or in part without the express written permission of Ludowici Roof Tile is strictly prohibited. Ludowici Roof Tile, Inc. reserves the right to modify the configuration of item(s) shown without prior written notice.



GENERAL NOTES:

- A. EXTERIOR WALL FRAMING MAY BE COLD-FORMED METAL FRAMING (AS SHOWN) OR WOOD STUD FRAMING.
- B. CONDITIONS OF CONSTRUCTION SHOULD BE CONSIDERED WHEN SELECTING SCREWABLE STRUCTURAL SHEATHING BOARD

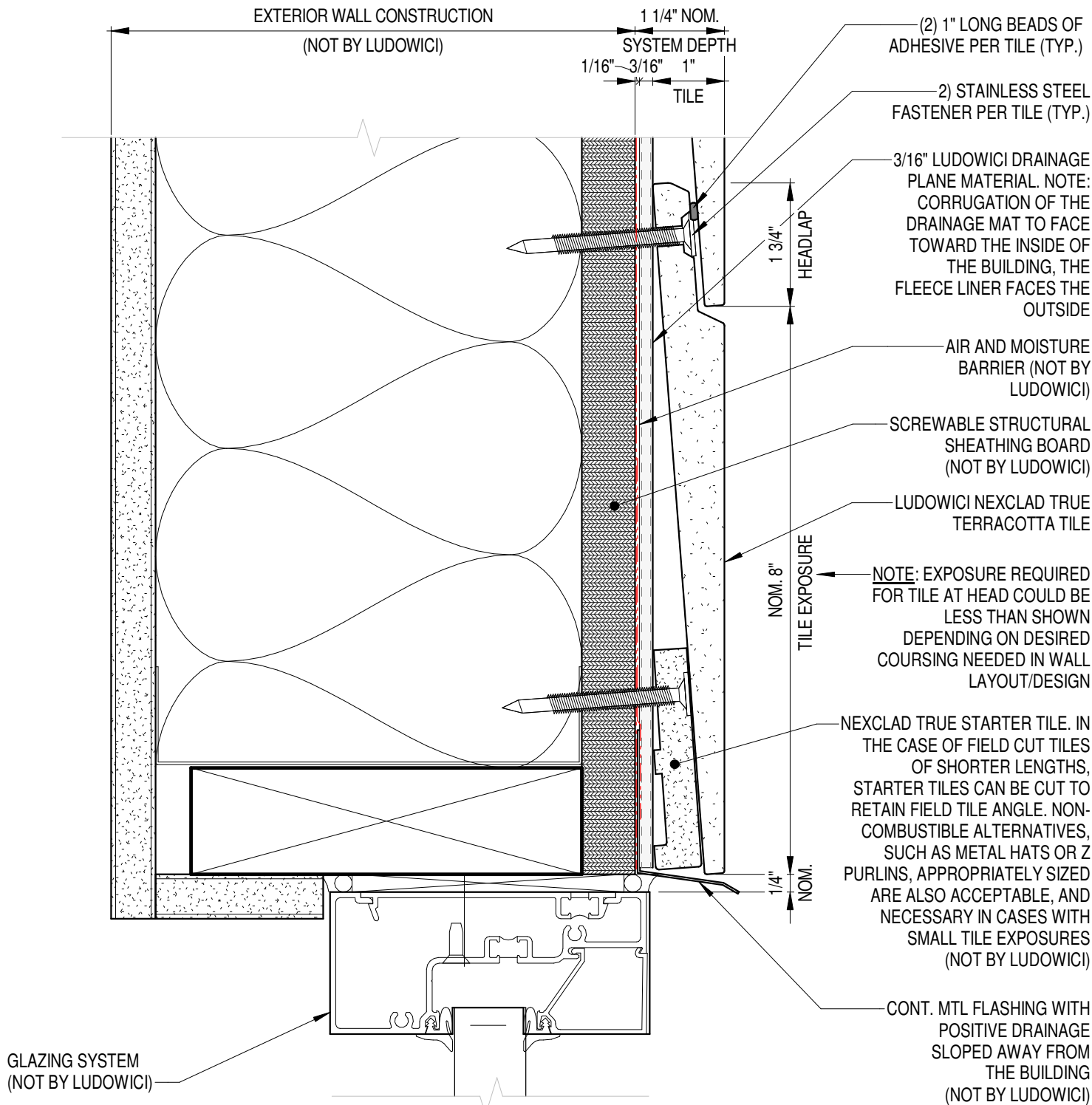
LUDOWICI[®]

Trusted. Timeless. Terra Cotta.

4757 Tile Plant Road
 New Lexington, Ohio 43764
 Telephone: (800) 945-8453 Fax: (740) 342-0025
 www.ludowici.com

SYSTEM:	NeXclad True
DETAIL #:	15S
Description: JAMB PLAN DETAIL	
Building Construction:	Stud Wall Framing
Drawing Date:	04.23.2025
Scale:	6" = 1'-0"
Ludowici Reference #:	NeXclad True 15S .

The information contained on this drawing is the property of Ludowici Roof Tile. Any use or reproduction in whole or in part without the express written permission of Ludowici Roof Tile is strictly prohibited. Ludowici Roof Tile, Inc. reserves the right to modify the configuration of item(s) shown without prior written notice.



LUDOWICI[®]

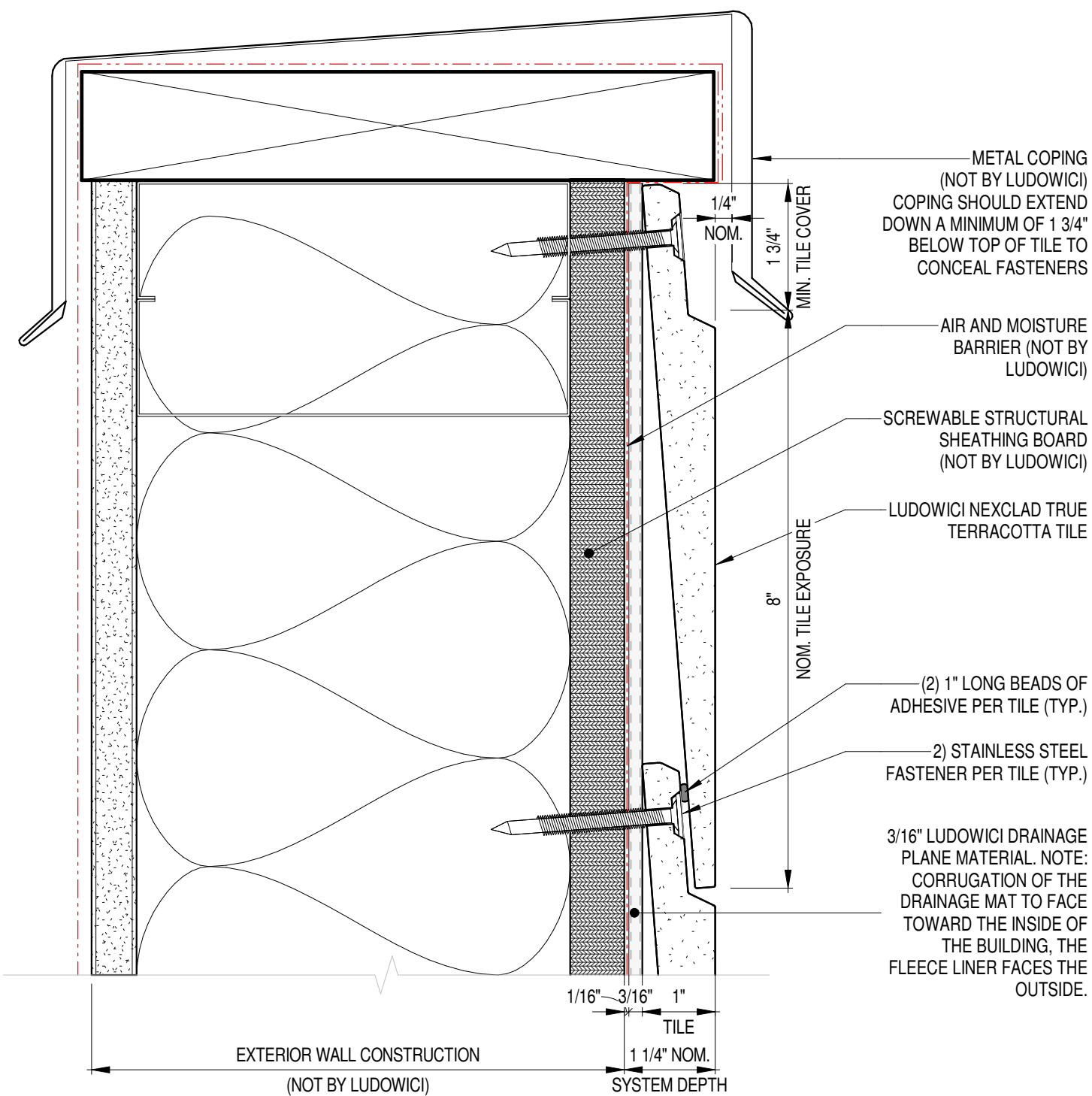
Trusted. Timeless. Terra Cotta.

4757 Tile Plant Road
 New Lexington, Ohio 43764
 Telephone: (800) 945-8453 Fax: (740) 342-0025
 www.ludowici.com

SYSTEM:	NeXclad True
DETAIL #:	16s
Description: HEAD SECTION DETAIL	
Building Construction:	Stud Wall Framing
Drawing Date:	04.23.2025
Scale:	6" = 1'-0"
Ludowici Reference #:	NeXclad True 16s .

The information contained on this drawing is the property of Ludowici Roof Tile. Any use or reproduction in whole or in part without the express written permission of Ludowici Roof Tile is strictly prohibited. Ludowici Roof Tile, Inc. reserves the right to modify the configuration of item(s) shown without prior written notice.

© Ludowici Roof Tile, Inc. All Rights Reserved



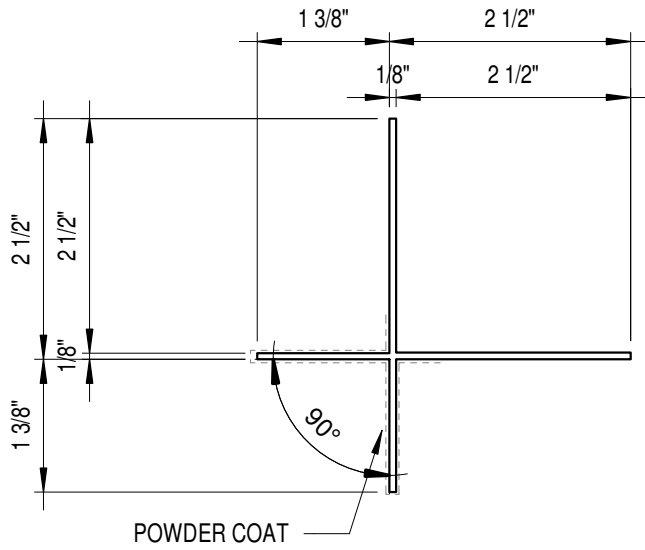
LUDOWICI[®]

Trusted. Timeless. Terra Cotta.

4757 Tile Plant Road
New Lexington, Ohio 43764
Telephone: (800) 945-8453 Fax: (740) 342-0025
www.ludowici.com

SYSTEM:	NeXclad True
DETAIL #:	17S
Description:	COPING SECTION DETAIL
Building Construction:	Stud Wall Framing
Drawing Date:	04.23.2025
Scale:	6" = 1'-0"
Ludowici Reference #:	NeXclad True 17s .

The information contained on this drawing is the property of Ludowici Roof Tile. Any use or reproduction in whole or in part without the express written permission of Ludowici Roof Tile is strictly prohibited. Ludowici Roof Tile, Inc. reserves the right to modify the configuration of item(s) shown without prior written notice.



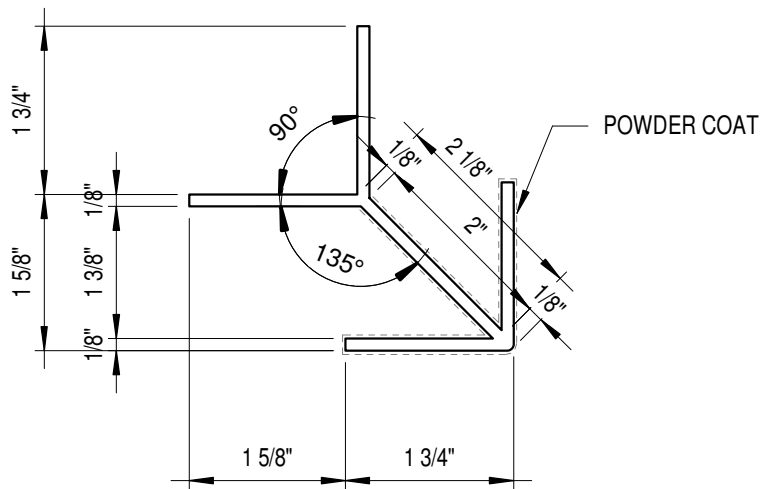
Trusted. Timeless. Terra Cotta.

4757 Tile Plant Road
 New Lexington, Ohio 43764
 Telephone: (800) 945-8453 Fax: (740) 342-0025
 www.ludowici.com

SYSTEM:	NeXclad True
DETAIL #:	20.1
Description: RE-ENTRANT TRIM - FABRICATION DIMENSIONS	
Building Construction:	
Drawing Date:	04.23.2025
Scale:	6" = 1'-0"
Ludowici Reference #:	NeXclad True 20.1 Designer

The information contained on this drawing is the property of Ludowici Roof Tile. Any use or reproduction in whole or in part without the express written permission of Ludowici Roof Tile is strictly prohibited. Ludowici Roof Tile, Inc. reserves the right to modify the configuration of item(s) shown without prior written notice.

© Ludowici Roof Tile, Inc. All Rights Reserved

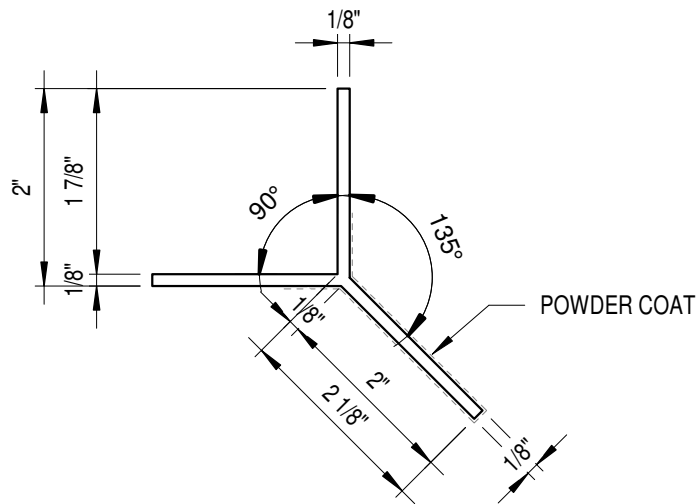



LUDOWICI[®]
Trusted. Timeless. Terra Cotta.

4757 Tile Plant Road
New Lexington, Ohio 43764
Telephone: (800) 945-8453 Fax: (740) 342-0025
www.ludowici.com

SYSTEM:	NeXclad True
DETAIL #:	20.2
Description: GREATER ARROW TRIM - FABRICATION DIMENSIONS	
Building Construction:	
Drawing Date:	03.19.2026
Scale:	6" = 1'-0"
Ludowici Reference #:	NeXclad True 20.2 Designer

The information contained on this drawing is the property of Ludowici Roof Tile. Any use or reproduction in whole or in part without the express written permission of Ludowici Roof Tile is strictly prohibited. Ludowici Roof Tile, Inc. reserves the right to modify the configuration of item(s) shown without prior written notice.

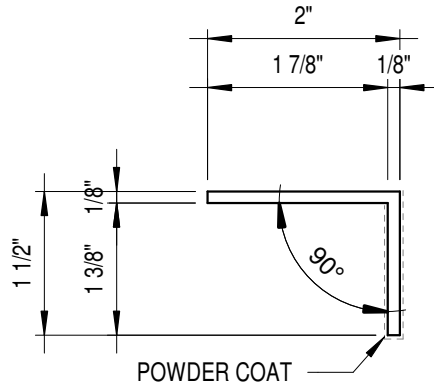



LUDOWICI[®]
Trusted. Timeless. Terra Cotta.

4757 Tile Plant Road
New Lexington, Ohio 43764
Telephone: (800) 945-8453 Fax: (740) 342-0025
www.ludowici.com

SYSTEM:	NeXclad True
DETAIL #:	20.3
Description: KNIFE TRIM - FABRICATION DIMENSIONS	
Building Construction:	
Drawing Date:	04.23.2025
Scale:	6" = 1'-0"
Ludowici Reference #:	NeXclad True 20.3 Designer

The information contained on this drawing is the property of Ludowici Roof Tile. Any use or reproduction in whole or in part without the express written permission of Ludowici Roof Tile is strictly prohibited. Ludowici Roof Tile, Inc. reserves the right to modify the configuration of item(s) shown without prior written notice.



Trusted. Timeless. Terra Cotta.

4757 Tile Plant Road
 New Lexington, Ohio 43764
 Telephone: (800) 945-8453 Fax: (740) 342-0025
 www.ludowici.com

SYSTEM:	NeXclad True
DETAIL #:	20.4
Description: L TRIM - FABRICATION DIMENSIONS	
Building Construction:	
Drawing Date:	04.23.2025
Scale:	6" = 1'-0"
Ludowici Reference #:	NeXclad True 20.4 Designer

The information contained on this drawing is the property of Ludowici Roof Tile. Any use or reproduction in whole or in part without the express written permission of Ludowici Roof Tile is strictly prohibited. Ludowici Roof Tile, Inc. reserves the right to modify the configuration of item(s) shown without prior written notice.